



Operating Manual

D-TEK Stratus[®]

Refrigerant Leak Detector and Portable Monitor

English · Español · Deutsch · Français · Italiano · 中文 · 日本語 · Русский ·
Polski · Svenska · Türkçe · Nederlands · 한국어

English	3
Español.....	34
Deutsch.....	66
Français.....	99
Italiano	132
中文	163
日本語.....	190
Русский	218
Polski.....	251
Svenska.....	282
Türkçe.....	312
Nederlands.....	343
한국어.....	375

Table of Contents

1 Declaration of Conformity	4
2 Cautions and Warnings	5
3 Specifications	6
4 D-TEK Stratus	10
5 What is Cloud Hunting?	12
6 Charging the Battery.....	13
7 Turning On the Instrument and Preparing for Use	14
8 Screen Layout and Symbols.....	15
9 Cloud Hunting (Portable Monitor) Mode	17
10 Pinpoint Mode.....	19
11 Manual Zero Mode	20
12 Earbuds and Volume Control	21
13 Removing and Installing the Lithium Ion Battery	22
14 Removing and Installing the Sensor.....	23
15 Replacing Filters.....	24
16 Extra-long Probe.....	25
17 Needle Probe Extension.....	26
18 Optional Sensors	27
19 Cleaning and Storage.....	28
20 Replacement Parts and Accessories.....	29
21 Troubleshooting Guide	30
22 Warranty and Liability-Limitation	32
23 Returning the Instrument for Warranty or Repair	33

1 Declaration of Conformity



EU DECLARATION OF CONFORMITY

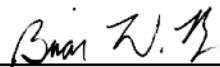
This declaration is issued under the sole responsibility of the manufacturer INFICON. The object of the declaration is to certify that this equipment, designed and manufactured by:

INFICON Inc.
Two Technology Place
East Syracuse, NY 13057
USA

is in conformity with the relevant Community harmonization legislation. It has been constructed in accordance with good engineering practice in safety matters in force in the Community and does not endanger the safety of persons, domestic animals or property when properly installed and maintained and used in applications for which it was made.

Equipment Description:	D-TEK Stratus Refrigerant Leak Detector and Portable Monitor	
Model Number:	724-20x-Gxx	(Applicable to all Group numbers)
Applicable Directives:	2014/35/EU 2014/30/EU 2011/65/EU 2006/66/EC	LVD General EMC as amended by 2015/863/EU RoHS as amended by 2013/56/EU Battery Directive
Applicable Standards:		
Safety:	EN 61010-1:2010 EN 62133:2013 UL 2054 UL 60950-1 & CAN/CSA-C22.2 No. 60950-1-07 UN 38.3	Safety requirements for electrical equipment for measurement, control, and laboratory use. General requirements Safety requirements for portable sealed secondary cells and for batteries made from them, for use in portable applications. CB Test Cert DK-73443-UL UL Standard for Safety Household and Commercial Batteries Cert 20180518-MH29443 UL Standard for Safety Information Technology Equipment – Safety – Part 1: General Requirements Cert 20180518-MH294 UN Manual of Tests and Criteria, Part III, Sub-section 38.3. Safe Transport of Li-Ion Rechargeable Battery
Emissions:	EN 61326-1:2013 CISPR 11/EN 55011:2009	Edition 2.0 (Radiated, Conducted & Harmonic Emissions) (EMC- Measurement, Control & Laboratory Equipment) (+A1:2010) Emission standard for industrial, scientific, and medical (ISM) radio RF equipment, Class A
Immunity:	EN 61326-1:2013	Edition 2.0 (EMC – Measurement, Control & Laboratory Equipment) Immunity per Table A.1 – Portable Test and Measurement Equipment
RoHS	Compliant	

CE Implementation Date: May 7, 2019



Authorized Representative:

Brian King
INFICON
General Manager – Service Tools
Two Technology Place
East Syracuse, NY USA 13057

EU Authorized Representative

INFICON GmbH
50968 Köln, Bonner Str. 498

ANY QUESTIONS RELATIVE TO THIS DECLARATION OR TO THE SAFETY OF INFICON'S PRODUCTS SHOULD BE DIRECTED, IN WRITING, TO THE AUTHORIZED REPRESENTATIVE AT THE ABOVE ADDRESS.

2 Cautions and Warnings

Cautions:

- Only use a certified charger/cord with an output of 5 V (dc) $\pm 5\%$, 1 A $\pm 5\%$.
- Keep the device out of extremely high or low temperature locations.
- Do not expose the battery to liquid.
- Do not use the device if you notice any damage to the battery.
- Do not disassemble or modify the battery.
- Handle and dispose of the battery per local regulations.
- If the recharging operation fails to complete, even when the specified recharging time has elapsed, immediately stop further recharging.
- Do not leave the battery unattended while charging.
- Unplug the charger when the battery is fully charged.
- Improper use or disposal of lithium ion batteries can cause a fire.
- High RF environments may cause a false alarm.



WARNING

This symbol alerts the user to the presence of important operating and maintenance (servicing) instructions.



WARNING

Exposure to high concentrations of CO₂ or refrigerants is dangerous and can be life-threatening.

The instrument is not for use in toxic or hazardous environments. It is not a personal protection or life-saving device. Always exercise extreme caution in potentially toxic or hazardous environments.



WARNING

This product is not intrinsically safe and should not be used in the presence of explosive fumes, explosive dust, or other explosive chemicals. Use in an environment with flammable refrigerant concentration approaching the LEL could cause an explosion or fire resulting in serious injury, death, or damage to property.

3 Specifications

Usage	indoor/outdoor
Sensor type	infrared
Compatible refrigerants	
• Refrigerant sensor (standard, PN 724-701-G1)	All CFCs, HCFCs, HFCs, HFOs, and blends (including A2Ls)
• CO2 sensor (PN 724-701-G2)	R744 (carbon dioxide)
• Flammable refrigerant (HC) sensor (PN 724-701-G3)	R290, R600a, R441a (see safety warnings)
Minimum sensitivity (Pinpoint mode, Super sensitivity)	0.03 oz/yr (1 g/yr) ¹
Display resolution (Cloud Hunting mode)	1 ppm
Display range (Cloud Hunting mode)	0 to 9999 ppm
Accuracy (Cloud Hunting mode, with clean air reference, R134a)	±1 ppm ±10% of reading
Battery type	lithium ion
Charging input type	micro USB
Charging time (starting at 0%)	approximately 3 hours
Battery life	approximately 8 hours (Cloud Hunting) approximately 10 hours (Pinpoint)
Input voltage	5 V (dc) ±5%
Input current	1 A ±5%
Warm-up period	45–90 seconds
Temperature ranges and humidity	
• Storage	-20–60°C (-4–140°F)
• Operating ²	-20–50°C (-4–122°F)
• Charging	0–45°C (32–113°F)
• Humidity	95% RH NC maximum
Altitude	2000 m (6500 ft.)
Pollution degree	2
Overvoltage category	2
Weight (with battery; not including carrying case or accessories)	1.10 lb. (0.50 kg)

¹ To achieve optimal performance and the specified sensitivities, it is recommended to allow D-TEK Stratus to run for 15 minutes prior to use.

² Use in temperatures below 0°C (32°F) should be limited. Extended warm-up time is recommended before use in low temperature environments.

Specification table in accordance with EN 14624

	R134a	R1234yf
Minimum sensitivity, fixed (static)	1 g/yr.	0.5 g/yr.
Maximum sensitivity, fixed (static) ³	>50 g/yr.	>50 g/yr.
Minimum sensitivity, moving (dynamic)	1 g/yr.	1 g/yr.
Maximum sensitivity, moving (dynamic) ³	>50 g/yr.	>50 g/yr.
Minimum response/detection time	< 1 s	< 1 s
Zeroing time	1–4 s	1–4 s
Recovery time for 50 g/yr exposure ⁴	7.6 s	6.4 s
Minimum sensitivity in contaminated environment	>2 g/yr.	1 g/yr.
Calibration frequency	Check annually with calibrated leak standard	

³ The upper leak detection limit is not specified by INFICON as there is no upper limit to the size of the leak the detector is able to detect.

⁴As no 50 g/yr. leak standard was available during testing, a 32 g/yr leak standard was substituted.

SAE Applications

SAE standards J2791 (R-134a) and J2913 (R-1234yf) specify sensitivity to the following leak sizes for the corresponding settings below. **Super** sensitivity is more sensitive than what is required by SAE for leak checking in a clean environment (free of background refrigerant). If leak checking in a contaminated environment (high background refrigerant), switch to **Super** sensitivity.

R-134a leak rate (g/yr)	R-1234yf leak rate (g/yr)	Sensitivity Setting
14	14	low
7	7	medium
4	4	high

The following table lists some common under-hood chemicals and indicates whether or not they will cause a false-trigger from D-TEK Stratus.

Chemical	False-Trigger
Windshield washer solvent (methanol base)	yes
Ford [®] spot and stain remover	yes
Ford rust penetrant and inhibitor	yes
Ford gasket and trim adhesive	yes
Permatex [®] natural blue cleaner and degreaser	yes

English

English

Chemical	False-Trigger
Ford brake parts cleaner	yes
Ford spray carburetor tune-up cleaner	yes
Ford clear silicon rubber	yes
Motorcraft® G-05 antifreeze/coolant	no
Gunk® liquid wrench	no
Ford pumice/lotion hand cleaner	no
Ford Motorcraft DOT3 brake fluid	no
Ford silicon lubricant	no
Dexron® automatic transmission fluid	no
Mineral engine oil	no

SAE recommended leak test procedure



Always leak test with the engine off.

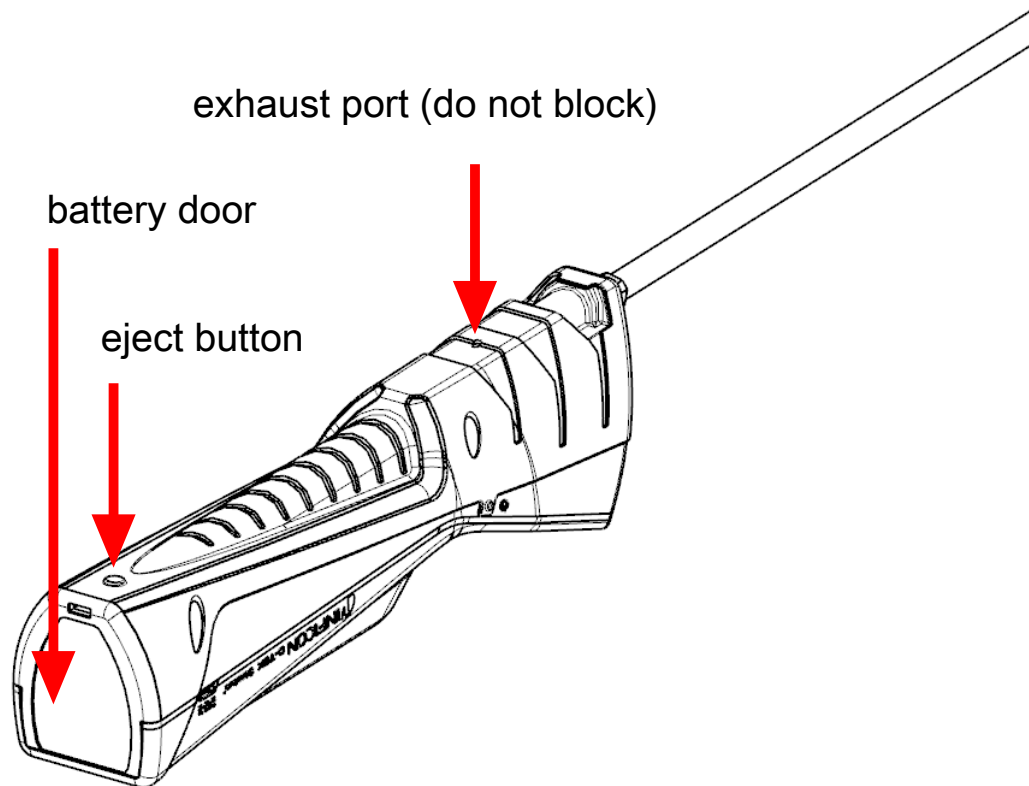
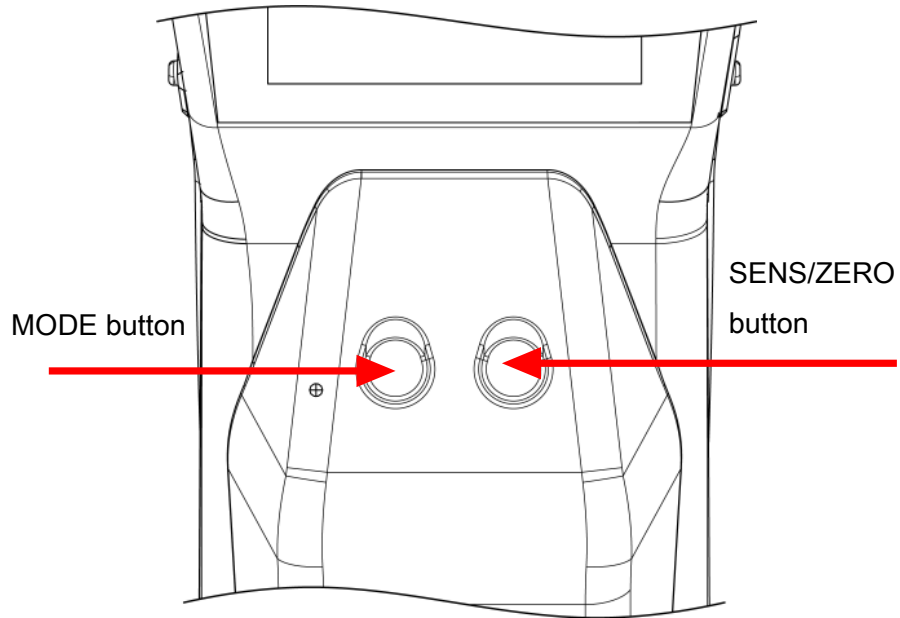
1. Charge the system with sufficient refrigerant to have a gauge pressure of at least 340 kPa (50 psi) with the system off. At ambient temperatures below 15 °C (59 °F) leaks may not be measurable because the pressure may not be reached.
2. Visually trace the entire refrigerant system, and look for signs of air conditioning lubricant leakage, damage and corrosion on all lines, hoses and components. Check each questionable area with the detector probe, as well as all fittings, hose-to-line couplings, refrigerant controls, service valves with caps in place, brazed or welded areas, and areas around attachment points and hold-downs on lines and components. If looking for an apparently larger leak, check first at the medium (7 g/year) or low (14 g/year) sensitivity setting.
3. Always follow the refrigerant system around in a continuous path so that no areas of potential leaks are missed. If a leak is found, always continue to test the remainder of the system.
4. Recheck the service valves with the caps removed. Blow shop air over the service valve to clear the immediate area. Check with a detector on the medium sensitivity setting (7 g/year).
5. Move the detector at a rate of no more than 75 mm/s (3 in./s) and as close as possible to 9.5 mm (3/8 in.) from the surface, completely encircling each test position (switch, sensor, refrigerant tubing connection, etc.).

6. Slower movement and closer approach of the probe normally improves the likelihood of finding a leak. However, detectors made to meet this standard are based on air sampling from the 9.5 mm (3/8 in) distance. A retest is advisable when a leak appears to be found at the most sensitive settings, particularly if the probe was in a static position on a joint, or making physical contact with a joint, as it was moving. Repeat with a moving probe test at that location, taking care to maintain the small gap (9.5 mm or 3/8 in.) to confirm that the leak is of repairable size. Checking with the medium sensitivity setting (7 g/year) after finding an apparent leak with the high sensitivity setting (4 g/year) also may be helpful.

Patents (Pending)

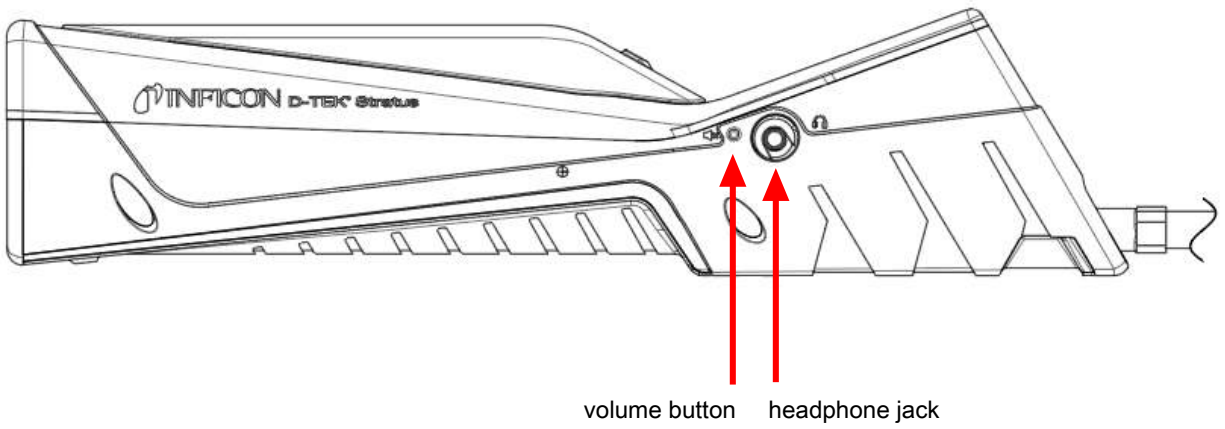
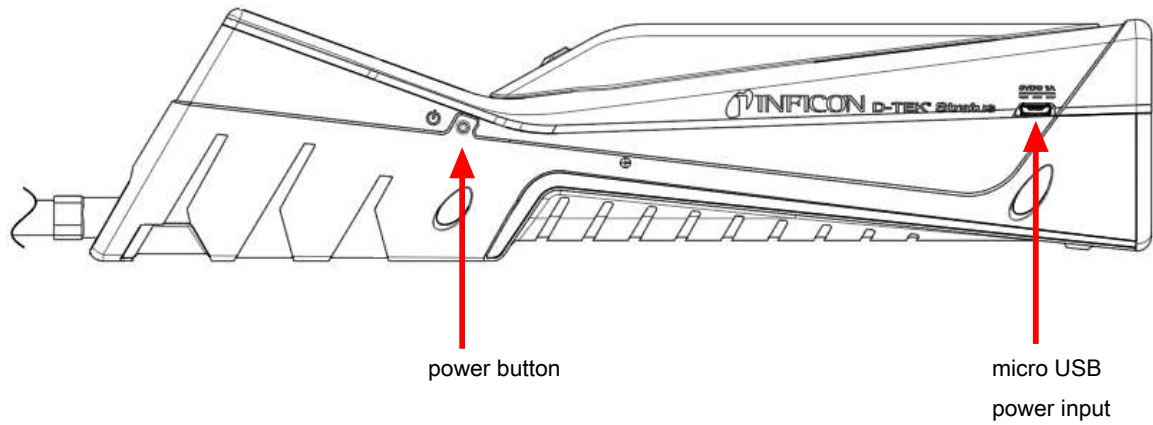
- Application #10 2018 206 877.1
- Application #18171080.7
- Application # 10 2018 208 826.8

4 D-TEK Stratus



English

English



English

English

5 What is Cloud Hunting?

When refrigerant leaks from a system, it does not disperse evenly in the air. The concentration of refrigerant is usually higher near the source of the leak. The density of refrigerants is also different than that of air, so it tends to form “clouds” in the air, typically closer to the floor. These clouds are colorless and odorless for most refrigerants. When leak checking with a traditional leak detector, it will likely alarm when walking into a refrigerant cloud. This does not help you find the leak, because the cloud may not be near the leak source.

D-TEK Stratus uses patent-pending technology to display the refrigerant concentration in the air in parts per million (ppm). This allows you to read the display and follow the number to find areas of higher concentration, leading you straight to the leak source.

6 Charging the Battery

D-TEK Stratus uses a rechargeable lithium ion battery that comes partially charged. INFICON recommends charging the battery before its first use. Using the supplied charger or charging cradle accessory, a dead battery can be charged to 80% in approximately 2 hours and 100% in approximately 3 hours. A full charge typically lasts about 8 to 10 hours of operation, depending on the mode used and the operating temperature. An on-screen indicator displays the remaining battery percentage.



D-TEK Stratus can be used while charging.

7 Turning On the Instrument and Preparing for Use



If the screen does not turn on, the battery is low and needs to be charged. D-TEK Stratus can be used while charging.

1. Long press the power button (located on the left side of the body of the instrument) to turn D-TEK Stratus **On** or **Off**.
 - ⇒ D-TEK Stratus begins a variable-time warm-up for 45 to 90 seconds. When warm-up is complete, D-TEK Stratus is ready to use.
2. To switch modes, press the **MODE** button. This toggles between **Cloud Hunting**, **Pinpoint** and **Manual Zero** modes.



D-TEK Stratus always starts in the last mode that was used.



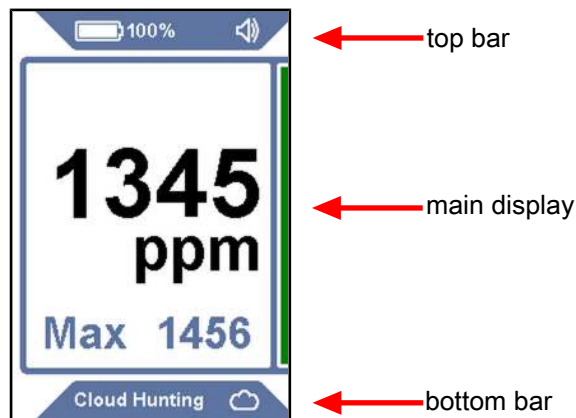
WARNING

Do not block the exhaust port.

Blocking exhaust air can cause false alarms or readings.

8 Screen Layout and Symbols

D-TEK Stratus uses the display screen for all indicators and information. The display consists of a top bar, main display, and a bottom bar.



Top bar: The top bar includes the battery symbol, the percentage, the sensor indicator (when a non-standard sensor type is used), and the sound indicator.








Symbol	Description
	battery charge is 75–100%
	battery charge is 50–74%
	battery charge is 30–49%
	battery charge is 10–29%
	battery charge is <10%
	battery is charging
	volume is set to 100% (default)
	volume is set to 50%
	volume is muted
CO₂	CO ₂ sensor is installed

Main display: The main display shows the information needed for leak checking. The main display includes the ppm reading for **Cloud Hunting** mode and leak indicators for **Pinpoint** and **Manual Zero** modes.

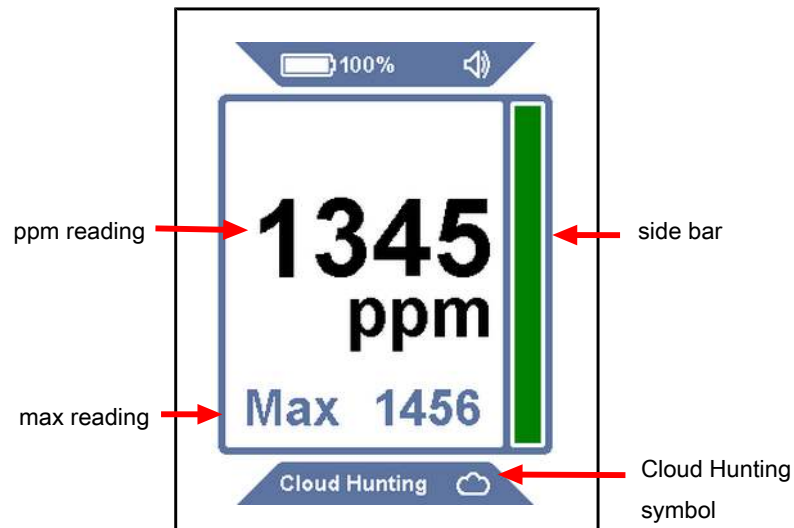
Bottom bar: The bottom bar displays the current mode and the mode indicator symbol. It also includes the sensitivity for **Pinpoint** mode.

English

English

Symbol	Description
	indicates Cloud Hunting mode
	indicates Pinpoint mode
	indicates Manual Zero mode
	sensitivity = Super (only displayed in Pinpoint mode)
	sensitivity = High (only displayed in Pinpoint mode)
	sensitivity = Medium (only displayed in Pinpoint mode)
	sensitivity = Low (only displayed in Pinpoint mode)

9 Cloud Hunting (Portable Monitor) Mode



Cloud Hunting mode is identified by a large ppm reading on the display and the words **Cloud Hunting** on the bottom, along with a cloud symbol. The side bar increases and decreases with changes in the ppm reading.



There is no sensitivity setting in Cloud Hunting mode.

1. Slowly move through the suspect areas and observe the ppm reading.
2. Follow the ppm reading to find areas of higher refrigerant concentration. The higher the number, the higher the concentration.
3. Press the **SENS/ZERO** button to enable and disable the **MAX** feature. When enabled, the highest ppm level observed is shown below the main ppm display. To reset the **MAX** reading, long-press the **SENS/ZERO** button or toggle the feature off and back on again.



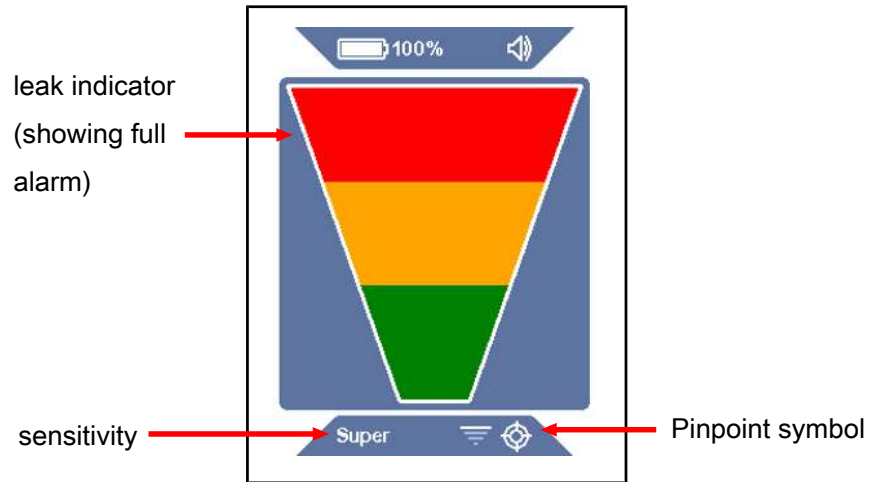
D-TEK Stratus uses a patent-pending switching valve in **Cloud Hunting** mode to constantly compare the sample from the tip of the probe with the air inside the body of the leak detector (the reference sample). This technology is what allows D-TEK Stratus to work without the use of a carbon filter. Lingering for several minutes in an area with a high concentration of refrigerant may cause the reference sample to

become contaminated with refrigerant, which causes the ppm reading to settle back toward zero. If this occurs, move back to an area with clean air (while in **Cloud Hunting** mode) for a few minutes to allow the reference sample to become clean again.

English

English

10 Pinpoint Mode



Pinpoint mode is identified by a large leak indicator on the display and a **Pinpoint** symbol on the bottom bar. The current sensitivity is also indicated on the bottom bar. This mode works like a standard leak detector with auto-zeroing, where the indicator bars illuminate to indicate when a leak is detected.

1. Place the tip of D-TEK Stratus as close as possible to the suspected leak (do not block the air flow).
2. Slowly move the probe past each possible leak point.
 - ⇒ If a leak is detected, D-TEK Stratus alarms and the on-screen indicator illuminates.
3. When a leak is identified, pull the probe away from the leak for a few seconds and then recheck the spot to verify the leak.

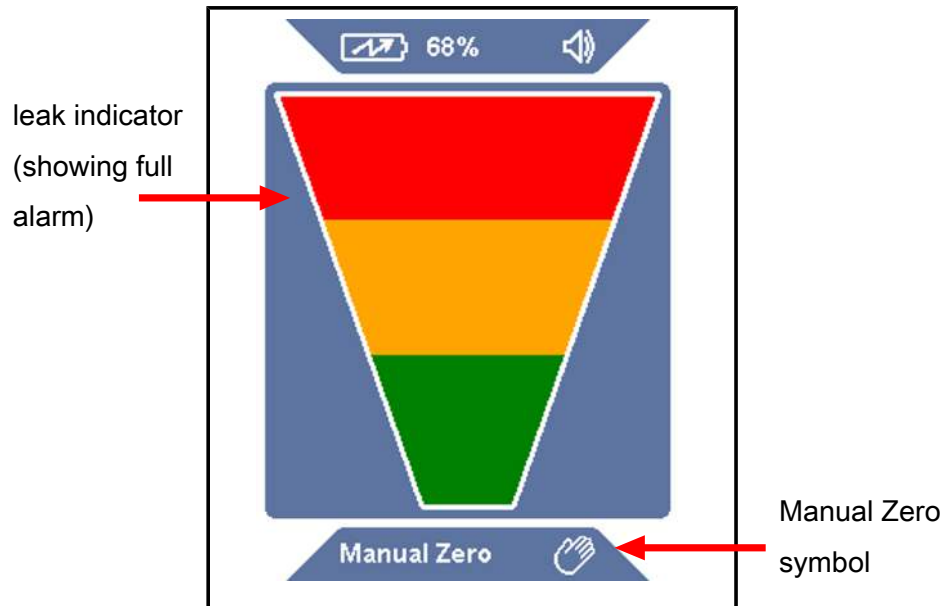


In **Pinpoint** mode, D-TEK Stratus automatically zeros to the background refrigerant and only alarms again with a higher concentration of refrigerant. When this occurs, either continue looking for a higher concentration of refrigerant or move the probe to an area of lower concentration for a few seconds to reset the zero point.



Press the **SENS/ZERO** button to switch the sensitivity setting. When working with a large leak, it can be easier to pinpoint the leak location using a lower sensitivity setting. The current sensitivity is displayed on the bottom bar.

11 Manual Zero Mode



Manual Zero mode looks and operates similar to **Pinpoint** mode, but is identified by the text **Manual Zero** and the **Manual Zero** symbol on the bottom bar. **Manual Zero** mode allows the user to manually zero to the background refrigerant by pressing the **SENS/ZERO** button. Once the new zero point is set, D-TEK Stratus will not alarm unless a higher concentration of refrigerant is detected.

Manual Zero mode beeps faster at the zero point than other modes. If the concentration is lower than the current zero point, the beeping slows. This allows the user to know if they are moving away from the leak by listening to a change in the beep rate.



There is no sensitivity setting in **Manual Zero** mode.



Manual Zero mode requires an extra warm-up time of up to 15 minutes for optimal performance.

12 Earbuds and Volume Control

A headphone jack is located on the right side of D-TEK Stratus for listening to the alarm sounds through headphones or earbuds.



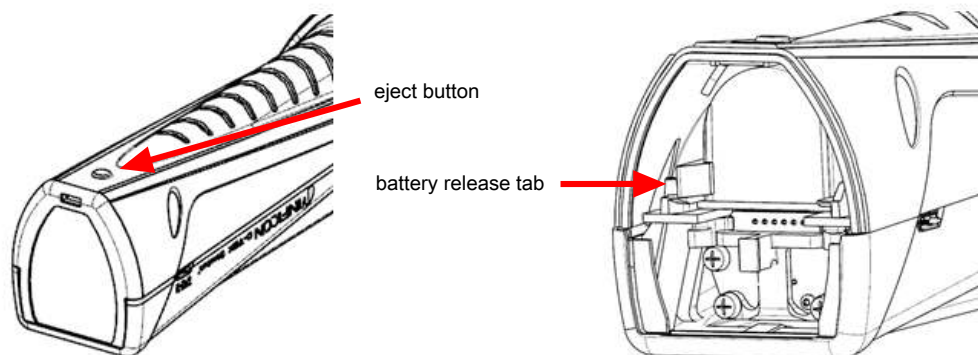
WARNING

If attempting to use headphones not supplied by INFICON, be sure to test them carefully to avoid hearing damage.

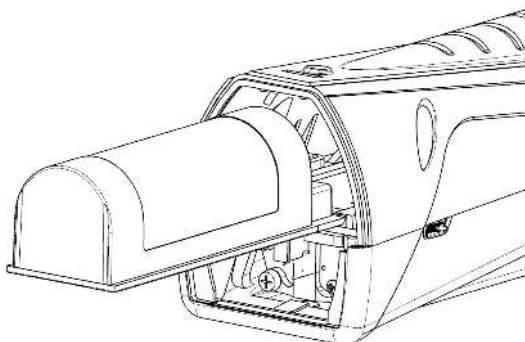
A volume button is located next to the headphone jack. Press the volume button to toggle from 100% volume, to 50% volume, and to mute. The volume defaults to 100% at startup. When headphones or earbuds are plugged in, the volume toggles between 100% volume and mute.

13 Removing and Installing the Lithium Ion Battery

1. Press the eject button on the back of D-TEK Stratus and remove the battery door.



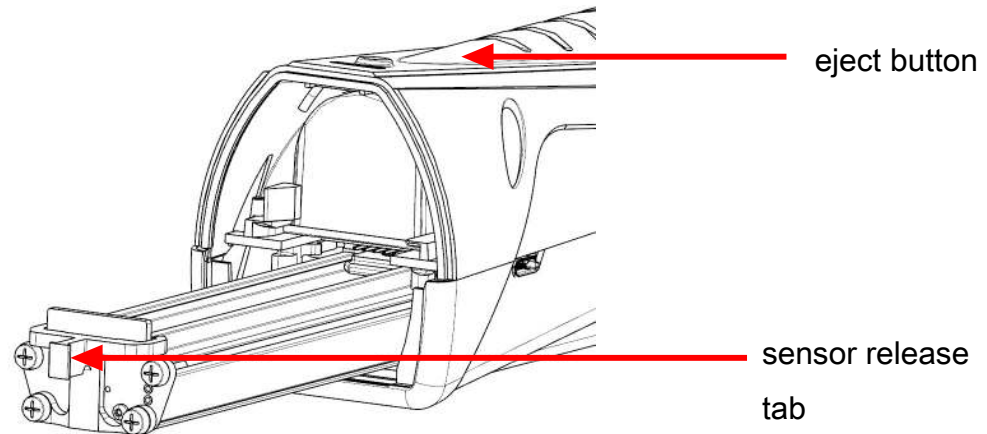
2. Remove the battery by moving the battery release tab to the side until the battery begins to eject. Slide the battery out.
3. Re-insert the battery by first aligning the battery with the rails.



4. Gently push the battery along the rails until the battery release tab engages.
⇒ Do not force the battery. If the battery does not slide freely, check the alignment and try again.
5. Reinstall the battery door.

14 Removing and Installing the Sensor

D-TEK Stratus uses a cartridge style sensor that is quick and easy to remove and replace in the field. In addition to the standard sensor, INFICON offers a CO₂ specific sensor for use in refrigeration and air conditioning applications. See Replacement Parts and Accessories [▶ 29].

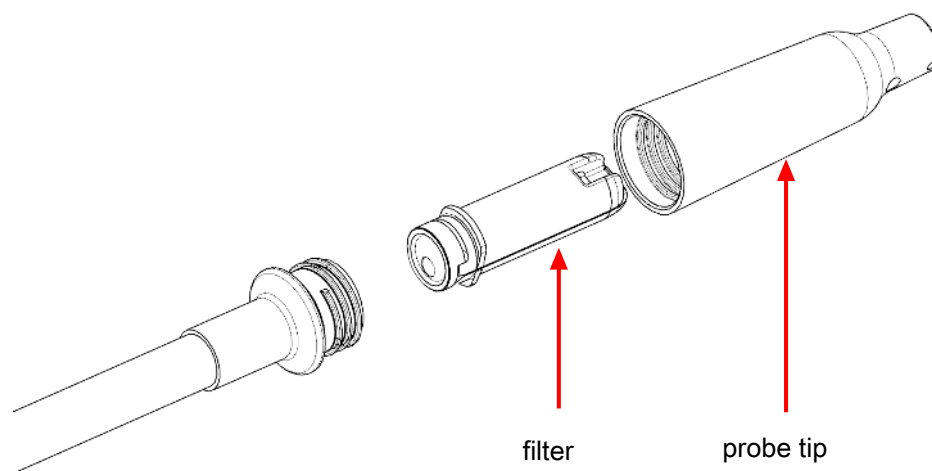


To replace the sensor:

1. Press the eject button on the back of D-TEK Stratus and remove the battery door.
2. Grasp the sensor release tab and gently pull it out.
3. Align the new sensor with the rails.
4. Gently push the sensor along the rails until it is fully inserted.
 - ⇒ Do not force the sensor. If it does not slide freely, check the alignment and try again.
5. Reinstall the battery door.

15 Replacing Filters

D-TEK Stratus uses a hydrophobic filter cartridge that allows air and refrigerants to pass through while filtering out water, dirt, and oil. Examine the white cloth to determine if the filter needs to be changed. If the cloth appears discolored, install a new filter. Changing the filter is also an easy troubleshooting step if you suspect your leak detector is not properly detecting refrigerants. A clogged air filter can limit the sample air flow.



Exposing the filter to water or oil can block air flow. If this occurs, remove the filter with the unit turned off and the probe facing down to avoid getting contaminants in the probe and install a new filter. If the filter is wet, it can be reused once it dries.



⚠ CAUTION

Never use the instrument without a probe tip and filter.

To replace the filter:

1. Unscrew the probe tip and remove the filter.
2. Insert the new filter into the probe.
3. Screw the probe tip on. Do not overtighten.

16 Extra-long Probe

D-TEK Stratus includes an extra-long replacement probe for leak checking in hard-to-reach areas.

To install the extra-long probe:

1. Unscrew the standard probe from the D-TEK Stratus body using a 10 mm wrench.
2. Screw on the extra-long probe to approximately 35 in·lb (4 N·m). Do not overtighten.
3. Unscrew the probe tip from the standard probe and remove the filter (or use a new one).
4. Insert the filter into the extra-long probe.
5. Screw the probe tip onto the extra-long probe. Do not overtighten.

17 Needle Probe Extension

The optional needle probe extension accessory allows for leak checking in tight spots and insulation. This probe is pointed to easily puncture insulation and fit into small areas.

To install the needle probe extension:

1. Unscrew the probe tip. Leave the filter in place.
2. Insert the new filter into the probe tip.
3. Screw the probe tip on. Do not overtighten.

18 Optional Sensors

Optional sensors are available for use in CO₂ (PN 724-701-G2) or flammable refrigerant (PN 724-701-G3) applications. To use the CO₂ or flammable refrigerant sensor, remove the standard sensor and install the new sensor following the instructions in Removing and Installing the Sensor [▶ 23]. D-TEK Stratus automatically recognizes the sensor type and the **MODE** indicator illuminates the appropriate color to indicate the sensor type the entire time the sensor is installed. Green indicates CO₂, red indicates flammable refrigerant, and orange indicates the standard refrigerant sensor is installed.



If D-TEK Stratus does not automatically recognize your flammable refrigerant sensor, contact INFICON to arrange a software test.



The flammable refrigerant sensor does not detect hydrogen, including hydrogen forming gas.



While searching for CO₂ leaks, it is recommended to wear a respirator or mask to avoid exhaling CO₂ toward the probe.



WARNING

Exposure to high concentrations of CO₂ or refrigerants is dangerous and can be life-threatening.

The instrument is not for use in toxic or hazardous environments. It is not a personal protection or life-saving device. Always exercise extreme caution in potentially toxic or hazardous environments.



WARNING

This product is not intrinsically safe and should not be used in the presence of explosive fumes, explosive dust, or other explosive chemicals. Use in an environment with flammable refrigerant concentration approaching the LEL could cause an explosion or fire resulting in serious injury, death, or damage to property.

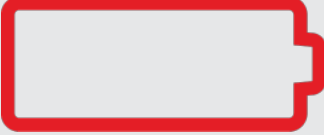
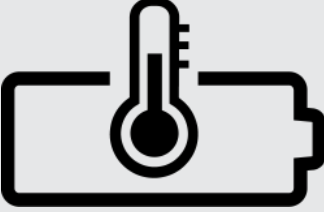
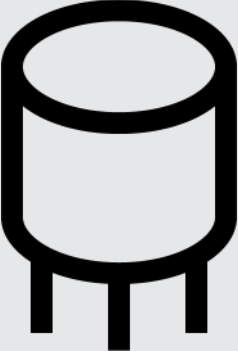
19 Cleaning and Storage

D-TEK Stratus can be cleaned with mild detergent or isopropyl alcohol. Care should be taken to prevent cleaner from entering the instrument. Do not clean with gasoline, acetone, or other aggressive solvents as they may damage the plastic or display.

20 Replacement Parts and Accessories

Replacement carrying case	724-700-G1
Earbuds	721-607-G1
12 V (dc) car charger	721-605-G1
AC wall charger (includes plugs for multiple regions)	721-606-G1
Lithium ion battery	721-702-G1
Battery charging cradle	721-610-G1
Battery/charging cradle combination	721-604-G1
Standard sensor (detects CFCs, HCFCs, HFCs, HFOs, and blends (including A2Ls))	724-701-G1
CO ₂ sensor	724-701-G2
Flammable refrigerant (HC) sensor	724-701-G3
Filter cartridges (quantity, 5)	712-707-G1
Replacement probe cap	712-705-G1
Needle probe extension	721-612-G1
Extra-long probe	721-611-G1
TEK-Check R134a test leak	703-080-G10

21 Troubleshooting Guide

Problem	Cause	Remedy
<p>The following symbol is displayed:</p> 	<p>A battery error has occurred. This can be caused by a failed battery or by the battery being improperly installed, or having a poor connection.</p>	<p>Remove and reinstall the battery. If the problem is not fixed, replace the battery. See Removing and Installing the Lithium Ion Battery [▶ 22].</p>
<p>The following symbol is displayed:</p> 	<p>The battery is above or below the ideal temperature range and may not charge properly.</p>	<p>Allow the battery to return to normal temperature.</p>
<p>The following symbol is displayed:</p> 	<p>A sensor error has occurred. This can be caused by a failed sensor, or by the sensor being improperly installed, or having a poor connection.</p>	<p>Remove and reinstall the sensor. If the problem is not fixed, replace the sensor. See Removing and Installing the Sensor [▶ 23].</p>
<p>The display does not turn on after long-pressing the power button.</p>	<p>The battery level is critically low.</p>	<p>Charge the battery or plug the unit into a charger.</p>
<p>The unit turns on, but does not detect refrigerant.</p>	<p>The unit has not completed warm-up (a coffee cup is displayed).</p>	<p>Wait for the warm-up to complete. This takes 45 to 90 seconds.</p>
	<p>The filter is clogged, restricting the air flow.</p>	<p>Replace the filter cartridge. See Replacing Filters [▶ 24].</p>
	<p>The pump has failed.</p>	<p>Listen for the pump sound. If the pump is not making a sound and the battery has a proper charge, contact INFICON.</p>

Problem	Cause	Remedy
	The sensitivity is set too low (Pinpoint mode only).	Verify the sensitivity level. For very small leaks, High or Super should be used.
	The incorrect sensor is installed.	Verify that the correct sensor is being used (refrigerant sensor or CO ₂ sensor).
	The reference sample is contaminated (Cloud Hunting mode).	Let D-TEK Stratus run in clean air in Cloud Hunting mode for up to five minutes.
The unit alarms in clean air.	The exhaust port is covered.	Verify that the exhaust port is not covered.
	The incorrect sensor is installed.	Verify that the refrigerant sensor is installed instead of the CO ₂ sensor.
The ppm falls to zero in an area known to be contaminated.	The reference sample may be contaminated.	Let D-TEK Stratus run in clean air in Cloud Hunting mode for up to five minutes.
The pump is not making a sound.	The pump has failed.	If the battery has a proper charge, contact INFICON.

English

English

22 Warranty and Liability-Limitation

INFICON warrants your D-TEK Stratus Refrigerant Leak Detector and Portable Monitor to be free from defects of materials or workmanship for one or two years (depending on region) from the date of purchase. INFICON does not warrant items that deteriorate under normal use, including batteries, sensors, and filters. In addition, INFICON does not warrant any instrument that has been subjected to misuse, negligence, or accident, or has been repaired or altered by anyone other than INFICON. INFICON liability is limited to instruments returned to INFICON, transportation prepaid, not later than thirty (30) days after the warranty period expires, and which INFICON judges to have malfunctioned because of defective materials or workmanship. INFICON liability is limited to, at its option, repairing or replacing the defective instrument or part. This warranty is in lieu of all other warranties, express or implied, whether of MERCHANTABILITY or of FITNESS FOR A PARTICULAR PURPOSE or otherwise. All such other warranties are expressly disclaimed. INFICON shall have no liability in excess of the price paid to INFICON for the instrument plus return transportation charges prepaid. INFICON shall have no liability for any incidental or consequential damages. All such liabilities are EXCLUDED.

23 Returning the Instrument for Warranty or Repair

Contact your wholesaler for warranty evaluation or out-of-warranty repair. Do not return the unit to INFICON directly. All instruments and parts returned to INFICON for repair or credit must be properly packaged, insured, shipped transportation charges prepaid, and must have a Return Material Authorization (RMA) number issued before the material is returned. The RMA number must be marked on all shipping labels and packing slips. Please see your INFICON distributor for assistance. If you have any questions, contact INFICON at 800-344-3304, or contact your local INFICON sales office.

Contenido

1	Declaración de conformidad	35
2	Precauciones y advertencias.....	36
3	Especificaciones.....	38
4	D-TEK Stratus	41
5	¿En qué consiste la Cloud Hunting?	43
6	Carga de la batería.....	44
7	Encendido del instrumento y preparación para su uso	45
8	Diseño de la pantalla y símbolos.....	46
9	Uso del modo Cloud Hunting (monitor portátil)	48
10	Uso del modo Pinpoint (precisión puntual).....	50
11	Modo de Manual Zero	52
12	Auriculares y control de volumen	53
13	Extracción e instalación de la batería de iones de litio.....	54
14	Desmontaje e instalación del sensor.....	55
15	Sustitución de los filtros.....	56
16	Sonda extra larga	57
17	Extensión de la sonda de aguja	58
18	Sensores opcionales	59
19	Limpieza y almacenamiento	60
20	Piezas de repuesto y accesorios.....	61
21	Guía para la resolución de problemas.....	62
22	Garantía y limitación de responsabilidad.....	64
23	Devolución del instrumento para su reparación o en garantía	65

1 Declaración de conformidad



DECLARACIÓN DE CONFORMIDAD DE LA UE

Esta declaración se publica bajo la responsabilidad exclusiva del fabricante INFICON. El objeto de la declaración es certificar que estos equipos, diseñados y fabricados por:

INFICON Inc.
Two Technology Place
East Syracuse, NY 13057
EE. UU.

se ajustan a la legislación comunitaria de armonización pertinente. Se ha fabricado de acuerdo con las buenas prácticas de ingeniería en cuestiones de seguridad vigentes en la Comunidad y no representa un peligro para la seguridad de personas, animales domésticos o propiedades, siempre que se instale y se mantenga adecuadamente y se use para las aplicaciones para las que está destinado.

Descripción del equipo:	Monitor portátil y detector de fugas de refrigerante D-TEK Stratus	
Número de modelo:	724-20x-Gxx	(aplicable a todos los números de grupo)
Directivas aplicables:	2014/35/EU 2014/30/EU 2011/65/EU 2006/66/EC	LVD EMC general con la enmienda de RoHS 2015/863/E con la enmienda de la directiva sobre baterías 2013/56/EU
Normas aplicables:		
Seguridad:	EN 61010-1:2010	Requisitos de seguridad para equipos eléctricos de medida, control y uso en laboratorio.
	EN 62133:2013	Requisitos generales Requisitos de seguridad para pilas secundarias portátiles selladas y para baterías fabricadas con ellas, para su uso en aplicaciones portátiles.
	UL 2054	Certificado de prueba CB DK-73443-UL Certificación de acuerdo a la norma UL para la seguridad de las baterías para uso doméstico y comercial 20180518-MH29443
	UL 60950-1 & CAN/CSA-C22.2 No. 60950-1-07	Norma UL para equipos de seguridad de tecnología de la información - Seguridad - Parte 1: Requisitos generales CERT 20180518-MH294
	UN 38.3	UN 38.3 Pruebas y criterios de la ONU Parte III, Subsección 38.3. Transporte seguro de la batería recargable de iones de litio
Emisiones:	EN 61326-1:2013	Edición 2.0 (Emisiones radiadas, conducidas y armónicas) (EMC - Equipos de medida, control y laboratorio)
	CISPR 11/EN 55011:2009	(+A1:2010) Estándar de emisiones para equipos de RF industriales, científicos y médicos (ISM) de Clase A
Inmunidad:	EN 61326-1:2013	Edición 2.0 (EMC – Equipo de medición, control y laboratorio) Inmunidad según la Tabla A.1 – Equipos de medición y pruebas portátiles
RoHS	Conforme	
Fecha de implementación de CE:	7 de mayo de 2019	

Representante autorizado:
 Brian King
 INFICON
 General Manager – Service Tools
 Two Technology Place
 East Syracuse, NY USA 13057

Representante autorizado en la UE
 INFICON GmbH
 50968 Köln, Bonner Str. 498

TODAS LAS PREGUNTAS RELACIONADAS CON ESTA DECLARACIÓN O CON LA SEGURIDAD DE LOS PRODUCTOS DE INFICON SE DEBEN DIRIGIR POR ESCRITO AL REPRESENTANTE AUTORIZADO A LA DIRECCIÓN INDICADA ANTERIORMENTE.

2 Precauciones y advertencias

Precauciones:

- Utilice solo cargadores y cables certificados con una salida de 5 V (cc) $\pm 5\%$, 1 A $\pm 5\%$.
- Mantenga el dispositivo alejado de lugares con temperaturas extremadamente altas o bajas.
- No exponga la batería a líquidos.
- No utilice el dispositivo si observa algún daño en la batería.
- No desmonte ni modifique la batería.
- Manipule y deseche la batería de acuerdo con la normativa local.
- Si la operación de recarga no se completa aunque haya transcurrido el tiempo de recarga especificado, deténgala inmediatamente.
- No deje la batería desatendida mientras se carga.
- Desenchufe el cargador cuando la batería esté completamente cargada.
- El uso o la eliminación inadecuados de las baterías de iones de litio pueden provocar un incendio.
- Este instrumento no está diseñado para su uso en entornos inflamables.
- Los entornos con alto nivel de RF pueden provocar falsas alarmas.



ADVERTENCIA

Este símbolo se utiliza para advertir al usuario sobre la existencia de instrucciones de uso y mantenimiento (servicio) importantes incluidas en la documentación de este instrumento.



ADVERTENCIA

La exposición a altas concentraciones de CO₂ o refrigerantes es peligrosa y puede poner en peligro la vida.

El instrumento no debe utilizarse en entornos tóxicos o peligrosos. No es un dispositivo de protección personal ni de salvamento. Se debe tener siempre extremo cuidado en ambientes potencialmente tóxicos o peligrosos.

**⚠ ADVERTENCIA**

Este producto no es intrínsecamente seguro y no debe utilizarse en presencia de emanaciones explosivas, polvo explosivo u otros productos químicos explosivos. Su uso en entornos con una concentración de refrigerante inflamable próxima al LEL podría causar una explosión o un incendio con resultado de lesiones graves, muerte o daños materiales.

3 Especificaciones

Uso	interior/exterior
Tipo de sensor	de infrarrojos
Refrigerantes compatibles	todos los CFC, HCFC, HFC, HFO, mezclas (incluidos los A2L) y CO ₂ ¹
Sensibilidad mínima(modo de precisión puntual, sensibilidad Super)	0,03 oz/año (1 g/año) ²
Resolución de pantalla(modo de Cloud Hunting)	1 ppm
Rango de visualización(modo de Cloud Hunting)	0 a 9999 ppm
Precisión(modo de Cloud Hunting, con referencia de aire limpio, R134a)	±1 ppm ±10 % de la lectura
Tipo de batería	iones de litio
Tipo de entrada de carga	micro USB
Tiempo de carga (desde 0 %)	aproximadamente 3 horas
Duración de la batería	aproximadamente 8 horas (detección de nubes) aproximadamente 10 horas (precisión puntual)
Tensión de entrada	5 V (cc) ±5 %
Corriente de entrada	1 A ±5 %
Período de calentamiento	45–90 segundos
Rangos de temperatura y humedad	
• Almacenamiento	entre -20 y 60 °C (entre -4 y 140 °F)
• Funcionamiento ³	entre -20 y 50 °C (entre -4 y 122 °F)
• Carga	entre 0 y 45 °C (entre 32 y 113 °F)
• Humedad	máx. 95 % sin condensación
Altitud	2000 m (6500 pies)
Grado de contaminación	2
Categoría de sobretensión	2
Peso (con batería, sin incluir estuche ni accesorios)	0,5 kg (1,10 lb)

¹ La detección de CO₂ requiere un sensor de CO₂ opcional.

² Para lograr un rendimiento óptimo y las sensibilidades especificadas, se recomienda dejar funcionar el D-TEK Stratus durante 15 minutos antes de su uso.

³ El uso en temperaturas inferiores a 0 °C (32 °F) debe ser limitado. Se recomienda un tiempo de calentamiento prolongado antes de utilizarlo en entornos de baja temperatura.

Tabla de especificaciones según EN 14624

	R134a	R1234yf
Sensibilidad mínima, fija (estática)	1 g/año	0,5 g/año
Sensibilidad máxima, fija (estática) ⁴	>50 g/año	>50 g/año
Sensibilidad mínima en movimiento (dinámica)	1 g/año	1 g/año
Sensibilidad máxima en movimiento (dinámica) ⁴	>50 g/año	>50 g/año
Tiempo mínimo de respuesta/detección	< 1 s	< 1 s
Tiempo de puesta a cero	1–4 s	1–4 s
Tiempo de recuperación para una exposición de 50 g/año ⁵	7,6 s	6,4 s
Sensibilidad mínima en ambientes contaminados	>2 g/año	1 g/año
Frecuencia de calibración	Comprobar anualmente con un patrón de fuga calibrado	

⁴INFICON no especifica el límite superior de detección de fugas, ya que no existe un límite superior al tamaño de la fuga que el detector es capaz de detectar.

⁵Como no se disponía de un patrón de fugas de 50 g/año durante las pruebas, se substituyó por un patrón de fugas de 32 g/año.

Aplicaciones SAE

Las normas SAE J2791 (R-134a) y J2913 (R-1234yf) especifican la sensibilidad a los siguientes tamaños de fuga para los ajustes correspondientes a continuación. La super sensibilidad es más sensible que la requerida por SAE para la comprobación de fugas en un entorno limpio (sin refrigerante de fondo). Si la comprobación de fugas se realiza en un entorno contaminado (con una elevada concentración de refrigerante de fondo), cambie al modo de super sensibilidad.

Tasa de fuga de R-134a (g/año)	Tasa de fuga de R-1234yf (g/año)	Ajuste de sensibilidad
14	14	baja
7	7	media
4	4	alta

La siguiente tabla incluye algunas de las sustancias químicas ocultas habituales e indica si activarán o no una lectura falsa en el D-TEK Stratus.

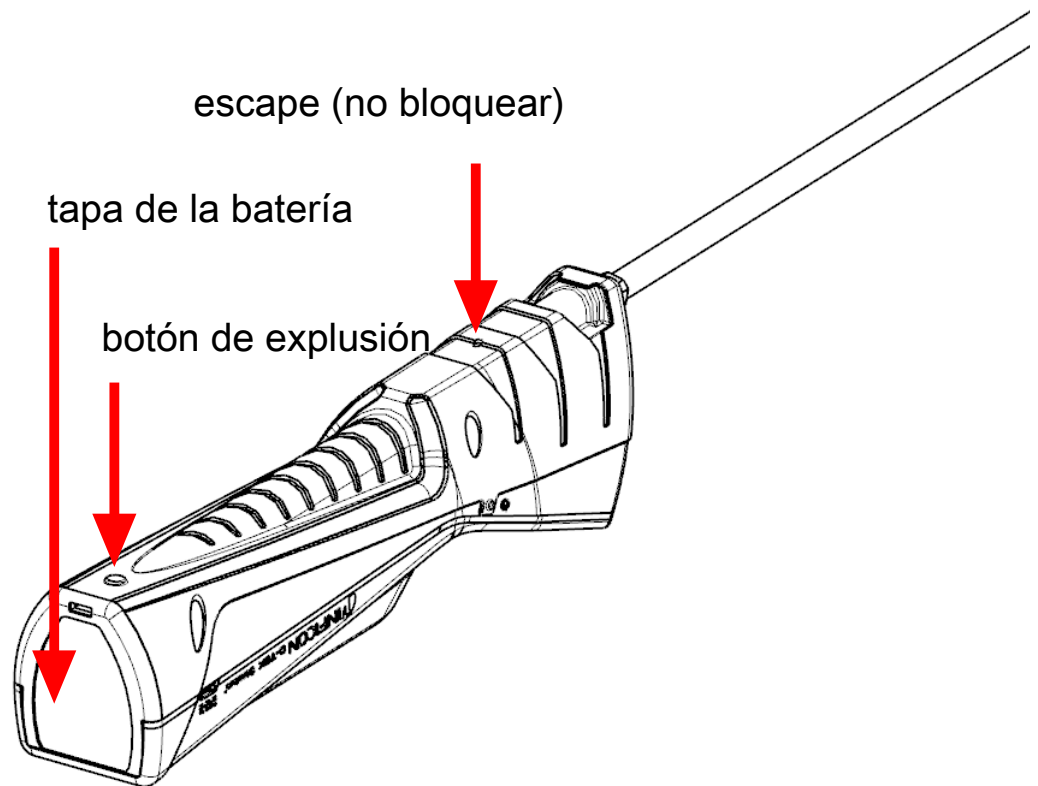
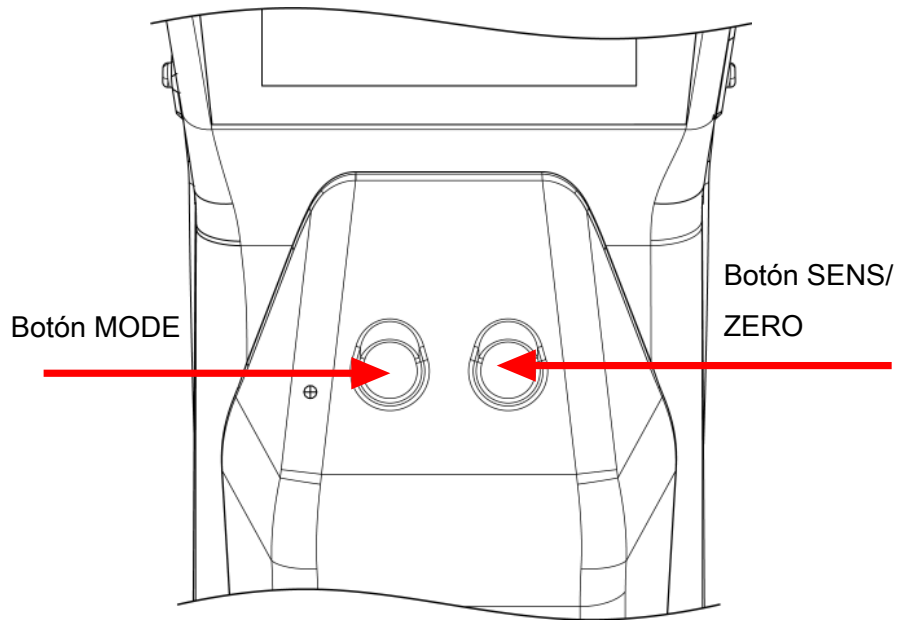
Realice la prueba de fuga con el motor apagado.

Sustancia química	Lectura falsa
disolvente de limpiaparabrisas (base de metanol)	sí
Quitamanchas Ford™	sí
Inhibidor de óxido y antioxidante Ford	sí
Adhesivo para juntas y embellecedores Ford	sí
Limpiador y desengrasante azul natural Permatex™	sí
Limpiador de piezas de freno Ford	sí
Spray limpiador para carburador Ford	sí
Goma de silicona transparente Ford	sí
Anticongelante/refrigerante Motorcraft™ G-05	no
Gunk™ Liquid Wrench	no
Limpiador de manos de piedra pómez/loción Ford	no
Líquido de frenos Ford Motorcraft DOT3	no
Lubricante de silicona Ford	no
Líquido para transmisión automática Dexron™	no
aceite de motor mineral	no

Patentes (pendientes)

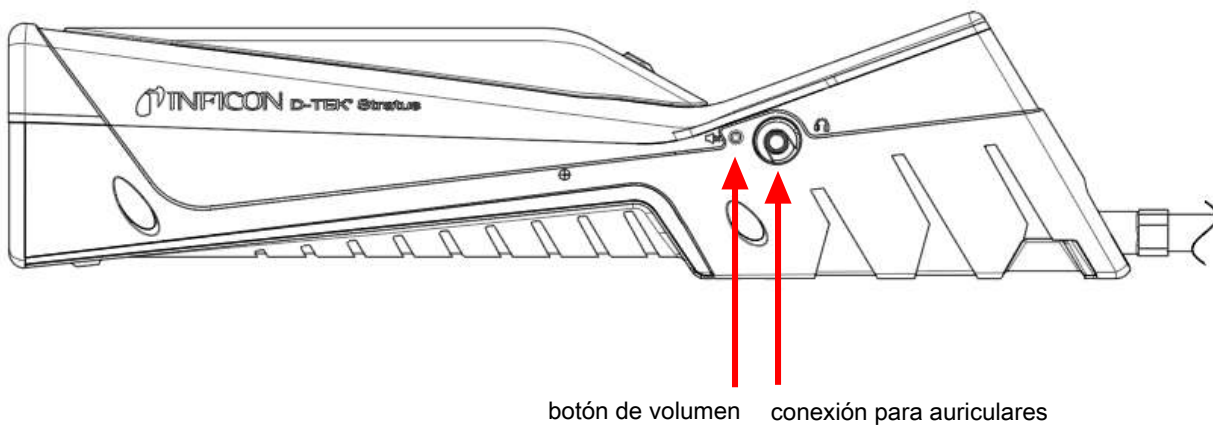
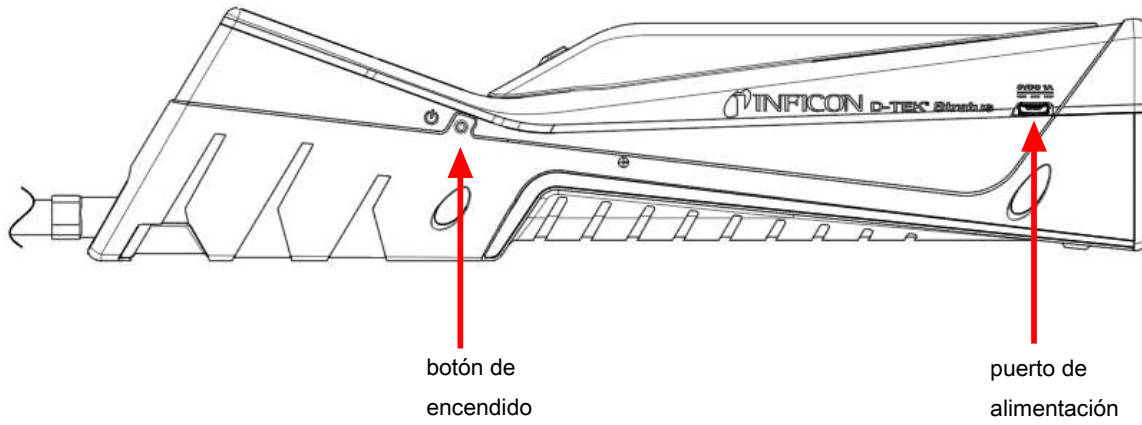
- Solicitud n.º 10 2018 206 877.1
- Solicitud n.º 18171080.7
- Solicitud n.º 10 2018 208 826.8

4 D-TEK Stratus



Español

Español



Español

Español

5 ¿En qué consiste la Cloud Hunting?

Cuando se produce una fuga de refrigerante en un sistema, no se dispersa uniformemente en el aire. La concentración de refrigerante suele ser mayor cerca del origen de la fuga. La densidad de los refrigerantes también es diferente a la del aire, por lo que tiende a formar "nubes" en el aire, normalmente más cerca del suelo. Estas nubes son incoloras e inodoras en la mayoría de los refrigerantes. Si se comprueba la fuga con un detector de fugas tradicional, es probable que se active la alarma al entrar en una nube de refrigerante. Esto no ayuda a encontrar la fuga, porque la nube puede no estar cerca del origen de la fuga.

El D-TEK Stratus utiliza una tecnología cuya patente está en trámite para mostrar la concentración de refrigerante en el aire en partes por millón (ppm). De esta forma se puede leer la pantalla y seguir el número para encontrar las áreas de mayor concentración, lo que le lleva directamente al origen de la fuga.

6 Carga de la batería

El D-TEK Stratus utiliza una batería recargable de iones de litio que viene parcialmente cargada. INFICON recomienda cargar la batería antes de usarla. Con el cargador suministrado o el accesorio de la base de carga, una batería completamente descargada se puede cargar al 80 % en aproximadamente 2 horas , y al 100 % en aproximadamente 3 horas. Una carga completa suele durar entre entre 8 y 10 horas de funcionamiento, según el modo utilizado y la temperatura de funcionamiento. Un indicador en pantalla muestra el porcentaje de batería restante.



El D-TEK Stratus se puede utilizar mientras se está cargando.

7 Encendido del instrumento y preparación para su uso



Si la pantalla no se enciende, la carga de la batería es baja y es necesario cargarla. El D-TEK Stratus se puede utilizar mientras se está cargando.

1. Pulse de manera prolongada el botón de encendido (situado en el lado izquierdo del cuerpo del instrumento) para encender o apagar el D-TEK Stratus.
 - ⇒ El D-TEK Stratus empieza a calentarse durante un tiempo que puede variar entre 45 y 90 segundos. Una vez finalizado el calentamiento, el D-TEK Stratus está listo para su uso.
2. Para cambiar de modo, pulse el botón **MODE**. Esto permite alternar entre los modos **Cloud Hunting** (detección de nubes), **Pinpoint** (precisión puntual) y **Manual Zero** (puesta a cero manual).



El D-TEK Stratus siempre se inicia en el último modo que se utilizó.



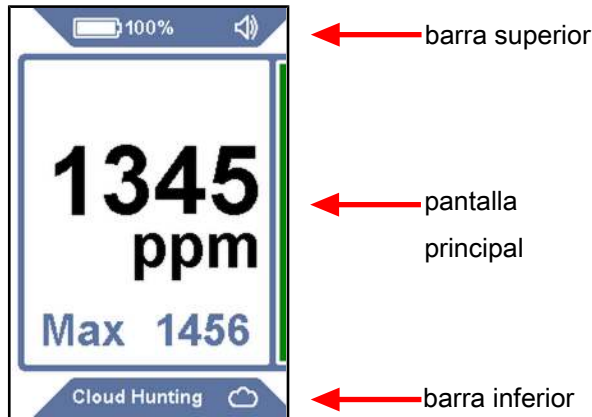
ADVERTENCIA

No bloquee el escape.

Si se bloquea el aire del escape se pueden provocar falsas alarmas o lecturas.

8 Diseño de la pantalla y símbolos

El D-TEK Stratus utiliza la pantalla de visualización para todos los indicadores e información. La pantalla consta de una barra superior, una pantalla principal y una inferior.










Barra superior:: La barra superior incluye el símbolo de la batería, el porcentaje, el indicador del sensor (cuando se utiliza un tipo de sensor no estándar) y el indicador de sonido.

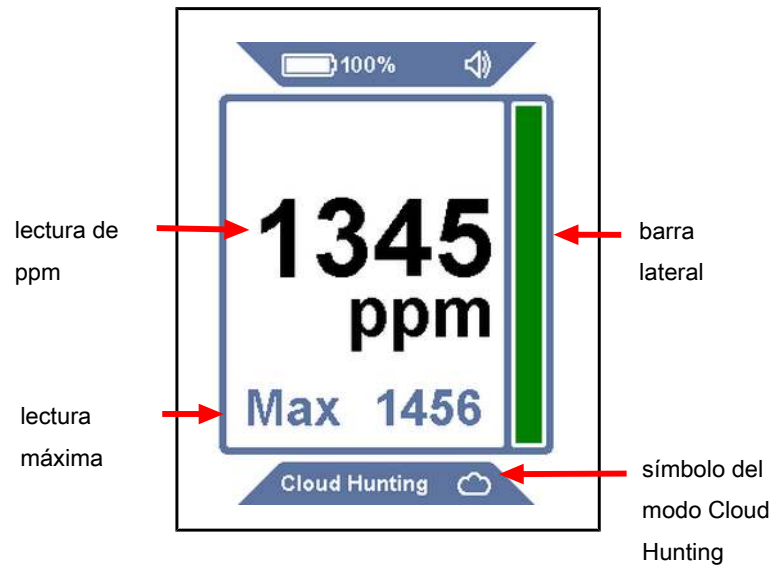
Símbolo	Descripción
	la carga de la batería es del 75-100 %
	la carga de la batería es del 50-74%
	la carga de la batería es del 30-49%
	la carga de la batería es del 10-29%
	la carga de la batería es <10%
	la batería se está cargando
	el volumen está ajustado al 100 % (por defecto)
	el volumen está ajustado al 50 %
	el volumen está silenciado
CO2	El sensor de CO ₂ sensor está instalado

Pantalla principal:: La pantalla principal muestra la información necesaria para la comprobación de fugas. La pantalla principal incluye la lectura de ppm para el modo **Cloud Hunting** (detección de nubes) e indicadores de fuga para los modos **Pinpoint**(precisión puntual) y **Manual Zero** (puesta a cero manual).

Barra inferior: La barra inferior muestra el modo actual y el símbolo del indicador de modo. También incluye la sensibilidad para el modo **Pinpoint** (precisión puntual).

Símbolo	Descripción
	indica el modo Cloud Hunting (detección de nubes)
	indica el modo Pinpoint (precisión puntual)
	indica el modo Manual Zero (puesta a cero manual)
	sensibilidad = Super (Super) (sólo se muestra en el modo Pinpoint)
	sensibilidad = Alta (High) (sólo se muestra en el modo Pinpoint)
	sensibilidad = Media (Medium) (sólo se muestra en el modo Pinpoint)
	sensibilidad = Baja (Low) (sólo se muestra en el modo Pinpoint)

9 Uso del modo Cloud Hunting (monitor portátil)



El modo **Cloud Hunting** (detección de nubes) se identifica por una lectura grande de ppm en la pantalla y las palabras **Cloud Hunting** en la parte inferior, junto con un símbolo de nube. La barra lateral aumenta y disminuye con los cambios en la lectura de ppm.



No hay configuración de sensibilidad en el modo Cloud Hunting.

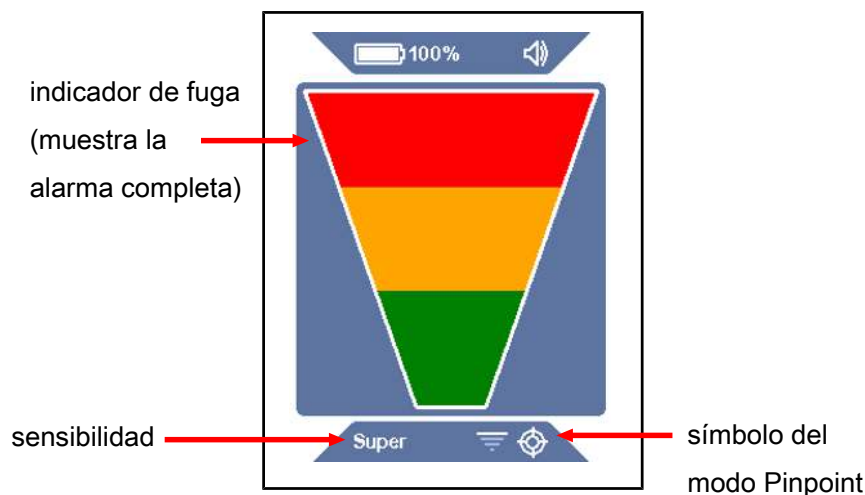
1. Muévase lentamente por las áreas bajo sospecha y observe la lectura de ppm.
2. Siga la lectura de ppm para encontrar áreas con mayor concentración de refrigerante. Cuanto mayor sea el número, mayor será la concentración.
3. Pulse el botón **SENS/ZERO** para activar y desactivar la función **MAX**. Cuando se activa, el nivel más alto de ppm observado se muestra debajo de la pantalla principal de ppm. Para restablecer la lectura **MAX**, pulse unos segundos el botón **SENS/ZERO** o desactive y vuelva a activar la función.



El D-TEK Stratus utiliza una válvula de conmutación cuya patente está en trámite en el modo **Cloud Hunting** (detección de nubes) para comparar constantemente la muestra de la punta de la sonda con el aire del interior del cuerpo del detector de fugas (la muestra de referencia). Esta tecnología es la que permite al D-TEK Stratus

funcionar sin usar un filtro de carbono. Si permanece varios minutos en una zona con una elevada concentración de refrigerante, la muestra de referencia se puede contaminar con refrigerante, lo que hace que la lectura de ppm se retrotraiga de nuevo hacia cero. Si esto ocurre, desplácese a una zona con aire limpio (mientras esté en modo **Cloud Hunting**) durante unos minutos para permitir que la muestra de referencia vuelva a estar limpia.

10 Uso del modo Pinpoint (precisión puntual)



El modo **Pinpoint** se identifica mediante un indicador de fugas grande en la pantalla y un símbolo de visor de precisión en la barra inferior. La sensibilidad actual también se indica en la barra inferior. Este modo funciona como un detector de fugas estándar con puesta a cero automática, en el que las barras indicadoras se iluminan para indicar si se detecta una fuga.

1. Coloque la punta del D-TEK Stratus lo más cerca posible de la sospecha de fuga (sin bloquear el flujo de aire).
2. Mueva lentamente la sonda por encima de cada uno de los posibles puntos de fuga.
 - ⇒ Si se detecta una fuga, el D-TEK Stratus activa una alarma y se enciende el indicador en pantalla.
3. Si se identifica una fuga, separe la sonda de la fuga durante unos segundos y vuelva a colocarla en el mismo sitio para verificarla.

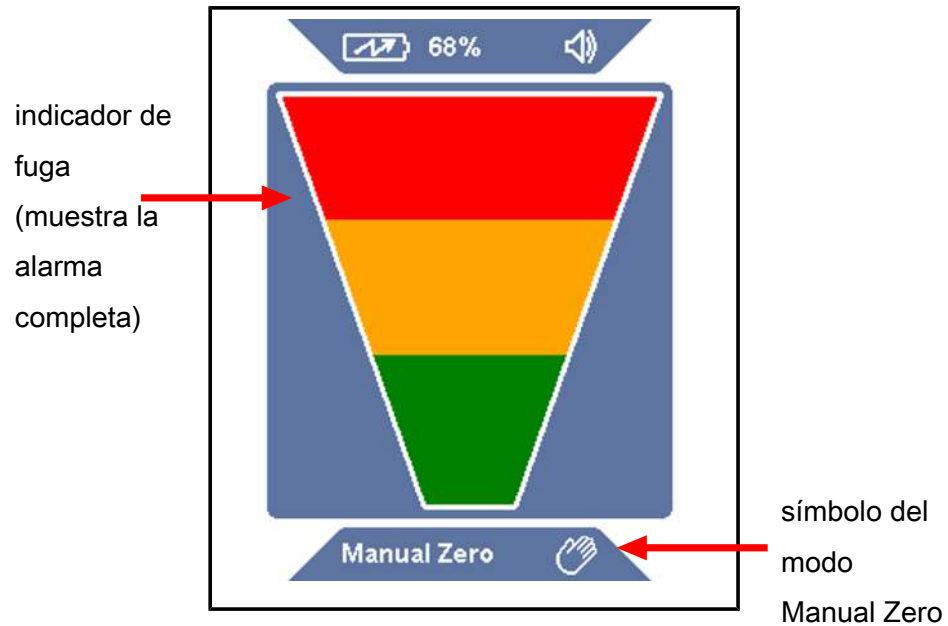


En el modo **Pinpoint** (precisión puntual), el D-TEK Stratus pone a cero automáticamente el nivel de refrigerante de fondo y solo vuelve a alertar con concentraciones de refrigerante más altas. Cuando esto ocurra, continúe buscando una mayor concentración de refrigerante o mueva la sonda a un área de menor concentración durante unos segundos para restablecer el punto cero.



Pulse el botón **SENS/ZERO** para cambiar el ajuste de sensibilidad. Cuando se trabaja con una fuga grande, puede ser más fácil localizar la ubicación de la fuga con un ajuste de sensibilidad más bajo. La sensibilidad actual se muestra en la barra inferior.

11 Modo de Manual Zero



El modo **Manual Zero** (puesta a cero manual) tiene una apariencia y funciona de manera similar al modo **Pinpoint**, pero se identifica con el texto **Manual Zero** y el símbolo de **Manual Zero** en la barra inferior. El modo **Manual Zero** permite al usuario poner a cero manualmente el nivel de refrigerante de fondo con el botón **SENS/ZERO**. Una vez establecido el nuevo punto cero, el D-TEK Stratus no activará la alarma a menos que se detecte una concentración más alta de refrigerante.

El modo **Manual Zero** emite pitidos más rápidos en el punto cero que otros modos. Si la concentración es inferior al punto cero actual, el pitido se ralentiza. Esto permite al usuario saber si se está alejando de la fuga al escuchar un cambio en la frecuencia del pitido.



No hay ajuste de sensibilidad en el modo **Manual Zero**.



El modo de **Manual Zero** requiere un tiempo de calentamiento adicional de hasta 15 minutos para un rendimiento óptimo.

12 Auriculares y control de volumen

En el lado derecho del D-TEK Stratus hay un conector para escuchar los sonidos de la alarma a través de auriculares.



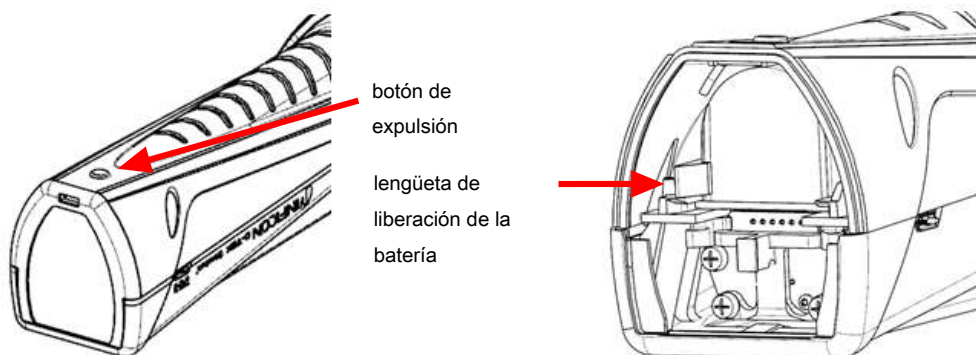
ADVERTENCIA

Si intenta utilizar auriculares no suministrados por INFICON, asegúrese de probarlos cuidadosamente para evitar daños auditivos.

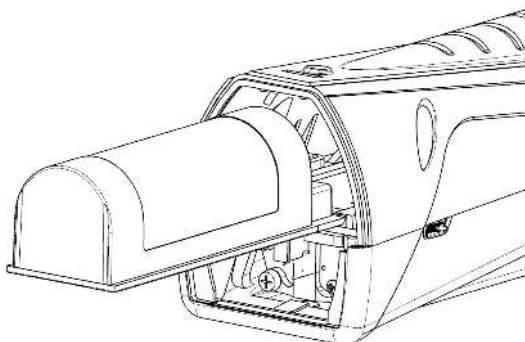
Hay un botón de volumen junto a la toma de auriculares. Pulse el botón de volumen para cambiar del 100 % de volumen al 50 % del volumen, y para silenciarlo. El volumen predeterminado es del 100 % al inicio. Cuando se conectan los auriculares, el volumen cambia entre 100 % del volumen y silencio.

13 Extracción e instalación de la batería de iones de litio

1. Pulse el botón de expulsión en la parte posterior del D-TEK Stratus y retire la tapa de la batería.



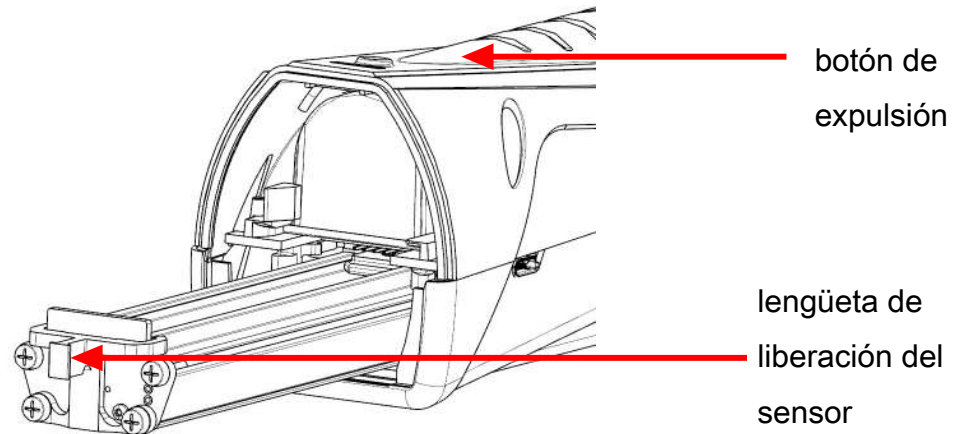
2. Retire la batería moviendo la lengüeta de liberación de la batería hacia un lado hasta que la batería comience a eyectarse. Deslice la batería hacia afuera.
3. Alinee la batería con los rieles.



4. Empuje suavemente la batería a lo largo de los rieles hasta que la lengüeta de liberación de la batería se enganche.
⇒ No fuerce la batería. Si la batería no se desliza libremente, compruebe la alineación e inténtelo de nuevo.
5. Vuelva a instalar la tapa de la batería.

14 Desmontaje e instalación del sensor

El D-TEK Stratus utiliza un sensor tipo cartucho que se puede quitar y sustituir fácilmente in situ. Además del sensor estándar, INFICON ofrece un sensor específico para CO₂ para su uso en aplicaciones de refrigeración y aire acondicionado. Consulte Piezas de repuesto y accesorios [▶ 61].

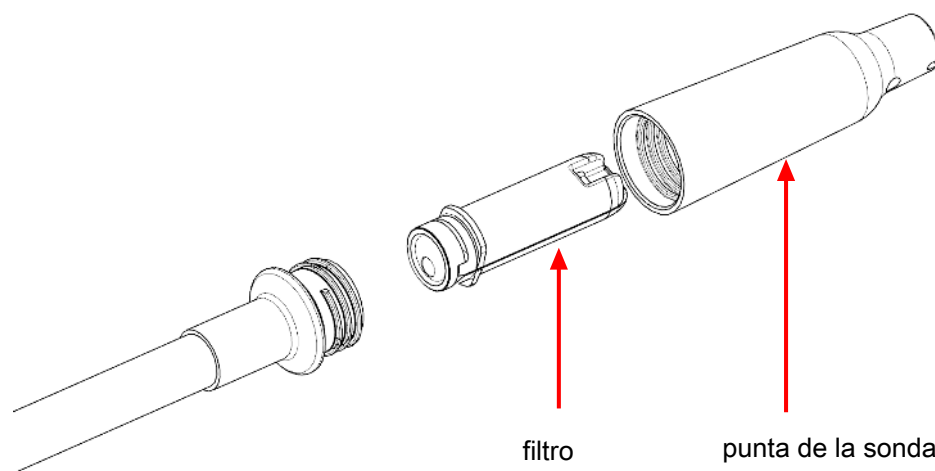


Para sustituir el sensor:

1. Pulse el botón de expulsión en la parte posterior del D-TEK Stratus y retire la tapa de la batería.
2. Sujete la lengüeta de liberación del sensor y tire de ella con cuidado.
3. Alinee el nuevo sensor con los rieles.
4. Empuje suavemente el sensor a lo largo de los rieles hasta que esté completamente insertado.
⇒ No fuerce el sensor. Si no se desliza libremente, compruebe la alineación e inténtelo de nuevo.
5. Vuelva a instalar la tapa de la batería.

15 Sustitución de los filtros

El D-TEK Stratus utiliza un cartucho de filtro hidrófobo que permite el paso de aire y refrigerantes a la vez que filtra el agua, la suciedad y el aceite. Examine el paño blanco para determinar si es necesario cambiar el filtro. Si el paño está descolorido, instale un filtro nuevo. Cambiar el filtro también es un paso fácil para solucionar problemas si sospecha que su detector de fugas no detecta correctamente los refrigerantes. Un filtro de aire obstruido puede limitar el flujo de aire de muestra.



La exposición del filtro al agua o al aceite puede bloquear el flujo de aire. Si esto ocurre, retire el filtro con la sonda hacia abajo para evitar que entren contaminantes en la sonda e instale un filtro nuevo. Si el filtro está húmedo, puede ser reutilizado una vez que se seque.



⚠ PRECAUCIÓN

No utilice nunca el instrumento sin una punta de sonda y un filtro.

Para sustituir el filtro:

1. Desenrosque la punta de la sonda y retire el filtro.
2. Introduzca el filtro nuevo en la sonda.
3. Enrosque la punta de la sonda.

16 Sonda extra larga

El D-TEK Stratus incluye una sonda de repuesto extra larga para la comprobación de fugas en zonas de difícil acceso.

Para instalar la sonda extra larga:

1. Desenrosque la sonda estándar del cuerpo del D-TEK Stratus con una llave de 10 mm.
2. Enrosque la sonda extra larga con una fuerza de aproximadamente 35 in-lb (4 N-m). No la apriete excesivamente.
3. Desenrosque la punta de la sonda estándar y retire el filtro (o utilice uno nuevo).
4. Introduzca el filtro en la sonda extra larga.
5. Enrosque la punta de en la sonda extra larga. No la apriete excesivamente.

17 Extensión de la sonda de aguja

El accesorio opcional de extensión de la sonda de aguja permite la comprobación de fugas en lugares estrechos y en el aislamiento. Esta sonda tiene una punta para perforar fácilmente el aislamiento y acceder a áreas pequeñas.

Para instalar la extensión de la sonda de aguja:

1. Desenrosque la punta de la sonda. Deje el filtro en su lugar.
2. Introduzca el filtro nuevo en la punta de la sonda.
3. Enrosque la punta de la sonda. No la apriete excesivamente.

18 Sensores opcionales

Hay disponible sensores opcionales para utilizar en aplicaciones de CO₂ (PN 724-701-G2) o de refrigerante inflamable (PN 724-701-G3). Para utilizar el sensor de CO₂ o el de refrigerante inflamable, retire el sensor estándar e instale el nuevo sensor siguiendo las instrucciones de la sección Desmontaje e instalación del sensor [► 55]. D-TEK Stratus reconoce automáticamente el tipo de sensor y el indicador **MODE** se ilumina en el color adecuado para indicar el tipo de sensor mientras este permanezca colocado. Verde indica CO₂, rojo indica refrigerante inflamable y naranja indica que está colocado el sensor de refrigerante estándar.



Si D-TEK Stratus no reconoce automáticamente el sensor de refrigerante inflamable, póngase en contacto con INFICON para solicitar una prueba de software.



El sensor de refrigerante inflamable no permite detectar hidrógeno ni tampoco gases que generen hidrógeno.



Durante la búsqueda de fugas de CO₂, se recomienda utilizar un respirador o una máscara para evitar la exhalación de CO₂ sobre la sonda.



⚠ ADVERTENCIA

La exposición a altas concentraciones de CO₂ o refrigerantes es peligrosa y puede poner en peligro la vida.

El instrumento no debe utilizarse en entornos tóxicos o peligrosos. No es un dispositivo de protección personal ni de salvamento. Se debe tener siempre extremo cuidado en ambientes potencialmente tóxicos o peligrosos.



⚠ ADVERTENCIA

Este producto no es intrínsecamente seguro y no debe utilizarse en presencia de emanaciones explosivas, polvo explosivo u otros productos químicos explosivos. Su uso en entornos con una concentración de refrigerante inflamable próxima al LEL podría causar una explosión o un incendio con resultado de lesiones graves, muerte o daños materiales.

19 Limpieza y almacenamiento

El D-TEK Stratus se puede limpiar con detergente suave o alcohol isopropílico. Hay que tener cuidado para evitar que el limpiador entre en el instrumento. No lo limpie con gasolina, acetona ni otros disolventes agresivos, ya que pueden dañar el plástico o la pantalla.

20 Piezas de repuesto y accesorios

maletín de transporte de repuesto	724-700-G1
auriculares	721-607-G1
cargador para coche de 12 V (cc)	721-605-G1
cargador de pared de CA (incluye enchufes para varias regiones)	721-606-G1
batería de iones de litio	721-702-G1
base de carga de la batería	721-610-G1
combinación de batería y base de carga	721-604-G1
sensor estándar (detecta CFCs, HCFCs, HFCs, HFOs y mezclas (incluyendo A2Ls))	724-701-G1
sensor de CO ₂	724-701-G2
Sensor de refrigerante inflamable (HC)	724-701-G3
cartuchos filtrantes (cantidad, 5)	712-707-G1
tapa de la sonda de repuesto	712-705-G1
extensión de la sonda de aguja	721-612-G1
sonda extra larga	721-611-G1
Fuga de referencia TEK-Check R134a	703-080-G10

21 Guía para la resolución de problemas

Problema	Causa	Remedio
<p>Aparece el siguiente símbolo:</p> 	<p>Se ha producido un error de batería. Esto puede deberse a un fallo de la batería, a una instalación incorrecta o a una mala conexión.</p>	<p>Retire y vuelva a instalar la batería. Si el problema no se soluciona, sustituya la batería. Consulte la sección Extracción e instalación de la batería de iones de litio [▶ 54].</p>
<p>Aparece el siguiente símbolo:</p> 	<p>La batería está por encima o por debajo del rango de temperatura ideal y es posible que no se cargue correctamente.</p>	<p>Deje que la batería vuelva a su temperatura normal.</p>
<p>Aparece el siguiente símbolo:</p> 	<p>Se ha producido un error en el sensor. Esto puede deberse a un sensor defectuoso, una instalación incorrecta o una mala conexión.</p>	<p>Retire y vuelva a instalar el sensor. Si el problema no se soluciona, sustituya el sensor. Consulte la sección Desmontaje e instalación del sensor [▶ 55].</p>
<p>La pantalla no se enciende después de presionar durante mucho tiempo el botón de encendido.</p>	<p>La carga de la batería es críticamente baja.</p>	<p>Cargue la batería o conecte la unidad a un cargador.</p>
<p>La unidad se enciende pero no detecta refrigerante.</p>	<p>La unidad no ha completado el calentamiento (se muestra una taza de café).</p>	<p>Espere a que termine el calentamiento. Puede tardar entre 45 y 90 segundos.</p>
	<p>El filtro está obstruido, lo que restringe el flujo de aire.</p>	<p>Sustituya el cartucho del filtro. Consulte la sección Sustitución de los filtros [▶ 56].</p>

Problema	Causa	Remedio
	La bomba ha fallado.	Escuche el sonido de la bomba. Si la bomba no hace ruido y la batería tiene una carga adecuada, póngase en contacto con INFICON.
	La sensibilidad está ajustada en un nivel demasiado bajo (solo en modo Pinpoint).	Compruebe el nivel de sensibilidad. Para fugas muy pequeñas, se debe usar el ajuste High (alta) o Super (muy alta).
	El sensor instalado no es el correcto.	Compruebe que se está utilizando el sensor correcto (sensor de refrigerante o sensor de CO ₂).
	La muestra de referencia está contaminada (modo Cloud Hunting).	Deje que el D-TEK Stratus funcione con aire limpio en el modo Cloud Hunting durante un máximo de cinco minutos.
La unidad avisa cuando hay aire limpio.	El escape está cubierto.	Compruebe que el escape no esté cubierto.
	El sensor instalado no es el correcto.	Compruebe que esté instalado el sensor de refrigerante en lugar del sensor de CO ₂ .
El número de ppm cae a cero en un área que se sabe que está contaminada.	La muestra de referencia puede estar contaminada.	Deje que el D-TEK Stratus funcione con aire limpio en el modo Cloud Hunting durante un máximo de cinco minutos.
La bomba no hace ruido.	La bomba ha fallado.	Si la batería tiene una carga adecuada, póngase en contacto con INFICON.

22 Garantía y limitación de responsabilidad

INFICON garantiza que su monitor portátil y el detector de fugas de refrigerante D-TEK Stratus no presentarán defectos de materiales ni de fabricación durante uno o dos años (dependiendo de la región) a partir de la fecha de compra. INFICON no garantiza artículos que se deterioran en condiciones de uso normales, entre los que se incluyen baterías, sensores y filtros. Además, INFICON no garantiza ningún instrumento que haya sido sometido a mal uso, negligencia o accidente, o que haya sido reparado o alterado por alguien que no sea INFICON. La responsabilidad de INFICON se limita a los instrumentos devueltos a INFICON, a portes pagados, a más tardar treinta (30) días después de que venza el período de garantía, y que INFICON considere que han funcionado mal debido a defectos en los materiales o en la fabricación. La responsabilidad de INFICON se limita, a su elección, a la reparación o sustitución del instrumento o pieza defectuosa. Esta garantía sustituye a cualquier otra garantía, expresa o implícita, ya sea de COMERCIALIZACIÓN o de ADECUACIÓN PARA UN PROPÓSITO DETERMINADO o de cualquier otro tipo. Todas las demás garantías de este tipo están expresamente excluidas. INFICON no asumirá ninguna responsabilidad que exceda el precio pagado a INFICON por el instrumento más los gastos de devolución pagados por adelantado. INFICON no asume ninguna responsabilidad por ningún daño incidental o indirecto. Todas las responsabilidades de este tipo están EXCLUIDAS.

23 Devolución del instrumento para su reparación o en garantía

Póngase en contacto con su proveedor para evaluar la reparación en garantía o fuera de garantía. No devuelva la unidad a INFICON directamente. Todos los instrumentos y piezas devueltos a INFICON para su reparación o devolución deben estar debidamente embalados, asegurados y enviados a portes pagados, y deben tener un número de autorización para la devolución de materiales (RMA) emitido antes de realizar la devolución. El número de RMA debe estar marcado en todas las etiquetas de envío y en las hojas de embalaje. Si necesita ayuda, consulte a su distribuidor de INFICON. Si tiene alguna pregunta, póngase en contacto con INFICON en el teléfono +1 800-344-3304 o con su oficina local de ventas de INFICON.

Inhaltsverzeichnis

1 Konformitätserklärung	67
2 Warnungen und Vorsichtshinweise	68
3 Technische Daten.....	70
4 D-TEK Stratus	73
5 Was versteht man unter Cloud Hunting (Gaswolkenaufspürung)?	75
6 Aufladen des Akkus.....	76
7 Einschalten des Geräts und Vorbereitung zur Verwendung.....	77
8 Bildschirmlayout und Symbole	78
9 Verwendung des Cloud-Hunting-Modus (Portabler Monitor).....	80
10 Verwendung des Pinpoint-Modus (exakte Leckortung).....	82
11 Manueller Nullabgleich-Modus	84
12 Kopfhörer und Lautstärkereglern.....	85
13 Auswechseln des Lithium-Ionen-Akkus.....	86
14 Auswechseln des Sensors	87
15 Austausch der Filter.....	88
16 Extra lange Sonde	89
17 Nadelsondenverlängerung	90
18 Optionale Sensoren.....	91
19 Reinigung und Aufbewahrung	93
20 Ersatzteile und Zubehör	94
21 Fehlersuchanleitung	95
22 Garantie und Haftbarkeitsbeschränkung.....	97
23 Einsenden des Geräts für Garantieansprüche oder zur Reparatur	98

1 Konformitätserklärung



EU-KONFORMITÄTSEKTLÄRUNG

Diese Erklärung wurde unter alleiniger Verantwortung des Herstellers INFICON herausgegeben. Diese Erklärung dient zur Bestätigung, dass diese von

INFICON Inc.
Two Technology Place
East Syracuse, NY 13057
USA

entwickelte und gefertigte Ausrüstung der relevanten harmonisierten Gesetzgebung der Europäischen Gemeinschaft entspricht. Sie wurde in Übereinstimmung mit anerkannten konstruktionstechnischen Verfahren bezüglich der in der Gemeinschaft geltenden Sicherheitsvorschriften hergestellt und führt bei ordnungsgemäßer Installation und Wartung sowie bei sachgerechter Anwendung gemäß Verwendungszweck nicht zu Verletzungen von Personen oder Haustieren oder zu Sachschäden.

Gerätebeschreibung:: D-TEK Stratus Kältemittel-Lecksuchgerät mit portalem Monitor
Modellnummer: 724-20x-Gxx (Auf alle Gruppennummern anwendbar)
Geltende Richtlinien: 2014/35/EU LVD
 2014/30/EU General EMC
 2011/65/EU in der Fassung von 2015/863/EU RoHS
 2006/66/EC in der Fassung von 2013/56/EU Akku-Richtlinie

Applicable Standards:		
Sicherheit:	EN 61010-1:2010	Sicherheitsanforderungen für elektrische Ausrüstung zur Messung, Steuerung und Laborverwendung.
	EN 62133:2013	Allgemeine Anforderungen Sicherheitsanforderungen für portable abgedichtete Sekundärzellen und für daraus gefertigte Akkus zur Verwendung in portablen Anwendungen. CB Test-Zert. DK-73443-UL
	UL 2054	UL-Standard für die Sicherheit von Haushalts- und gewerblichen Akkus Zert. 20180518-MH29443
	UL 60950-1 & CAN/CSA-C22.2 No. 60950-1-07	UL-Standard für Sicherheitsausrüstung in der IT-Industrie – Sicherheit – Teil 1: Allgemeine Anforderungen Zert. 20180518-MH294
	UN 38.3	UN 38.3 UN Manual of Tests and Criteria, Teil III, Unterabschnitt 38.3. Sicherer Transport von wiederaufladbaren Lithium-Ionen-Akkus
Emissionen:	EN 61326-1:2013	Ausgabe 2.0 (Störstrahlungen, leitungsgebundene Störspannungen und Oberwellenemissionen) (EMV - Mess-, Steuer- und Laborgeräte)
	CISPR 11/EN 55011:2009	Emissionsnorm für HF-Funkgeräte (Klasse A) in Industrie, Wissenschaft (+A1:2010) und Medizin (ISM)
Immunität:	EN 61326-1:2013	Ausgabe 2.0 (EMV-Anforderungen für Mess-, Steuer- und Laborgeräte) Immunität gemäß Tabelle A.1 – Tragbare Test- und Messausrüstung
RoHS	RoHS-konform	

CE-Implementierungsdatum: 7. Mai 2019

Autorisierter Vertreter:
 Brian King
 INFICON
 General Manager - Wartungswerkzeuge
 Two Technology Place
 East Syracuse, NY USA 13057

Autorisierter Vertreter für die EU
 INFICON GmbH
 50968 Köln, Bonner Str. 498

ALLE FRAGEN ZU DIESER ERKLÄRUNG ODER ZUR SICHERHEIT VON INFICON PRODUKTEN SIND SCHRIFTLICH AN DEN AUTORISIERTEN VERTRETER UNTER DER OBEN ANGEFEBENEN ADRESSE ZU RICHTEN

2 Warnungen und Vorsichtshinweise

Vorsichtshinweise:

- Bitte nur ein zertifiziertes Ladegerät/Kabel mit einem Ladestrom von 5 Volt (DC) \pm 5 %, 1 Ampere \pm 5 % verwenden.
- Gerät bitte nicht an Orten mit extremen Temperaturen aufbewahren.
- Akku nicht in Kontakt mit Flüssigkeiten bringen.
- Gerät nicht benutzen, wenn Schäden am Akku festgestellt werden.
- Akku nicht auseinandernehmen oder modifizieren.
- Akku in Übereinstimmung mit örtlich geltenden Vorschriften entsorgen.
- Wenn der Wiederaufladevorgang nicht beendet wird, obwohl die angegebene Ladezeit abgelaufen ist, sollten Sie jedes weitere Aufladen sofort anhalten.
- Akku beim Aufladen nicht unbeaufsichtigt lassen.
- Wenn der Akku voll aufgeladen ist, Ladegerät vom Netz trennen.
- Die unsachgemäße Verwendung oder Entsorgung von Lithium-Ionen-Akkus kann einen Brand verursachen.
- Dieses Gerät ist nicht zur Verwendung in brandgefährdeten Umgebungen bestimmt.
- Hochfrequenzumgebungen können einen Fehllarm verursachen.



WARNUNG

Dieses Symbol wird verwendet, um den Benutzer auf wichtige Betriebs- und Wartungsanweisungen in der diesem Gerät beiliegenden Dokumentation hinzuweisen.



WARNUNG

Die Exposition gegenüber hohen Konzentrationen von CO₂ oder Kältemitteln ist gefährlich und kann lebensbedrohlich sein.

Das Gerät ist nicht für den Einsatz in toxischen oder gefährlichen Umgebungen geeignet. Es handelt sich nicht um persönliche Schutzausrüstung oder ein lebensrettendes Gerät. Gehen Sie in potenziell toxischen oder gefährlichen Umgebungen stets mit äußerster Vorsicht vor.

**⚠️ WARNUNG**

Dieses Produkt ist nicht eigensicher und darf nicht in Gegenwart von explosiven Dämpfen, explosivem Staub oder anderen explosiven Chemikalien verwendet werden. Die Verwendung in einer Umgebung mit einer Konzentration an brennbarem Kältemittel, die sich der unteren Explosionsgrenze (UEG) nähert, kann eine Explosion oder ein Feuer verursachen, das zu schweren Verletzungen, Tod oder Sachschäden führen kann.

3 Technische Daten

Verwendung	Innen-/Außenbereich
Sensortyp	infrarot
Kompatible Kältemittel	alle FCKWs, HFCKWs, HFCs, HFOs, Mischungen (einschließlich A2Ls) und CO ₂ ¹
Mindestempfindlichkeit (Pinpoint -Modus, Empfindlichkeitseinstellung , Super)	1 g/Jahr (0,03 Unzen/Jahr) ²
Displayauflösung (Cloud Hunting -Modus)	1 ppm
Displaybereich (Cloud Hunting -Modus)	0 bis 9999 ppm
Genauigkeit (Cloud Hunting -Modus, mit Reinluftreferenz, R134a)	± 1 ppm ± 10 % des Messwerts
Akkutyp	Lithium-Ionen
Ladeeingangstyp	Micro-USB
Ladezeit (beginnend ab 0 %)	ca. 3 Stunden
Akkulebensdauer	ca. 8 Stunden (Wolkensuche) ca. 10 Stunden (gezielte Suche)
Eingangsspannung	5 Volt (DC) ± 5 %
Eingangsstrom	1 Ampere ± 5 %
Aufwärmzeit	45–90 Sekunden
Temperaturbereiche und Luftfeuchtigkeit	
• Lagerung	-20 bis 60°C (-4 bis 140 °F)
• Betrieb ³	-20 bis 50°C (-4 bis 122 °F)
• Aufladung	0 bis 45°C (32 bis 113 °F)
• Luftfeuchtigkeit	95 % rF nk maximal
Höhe ü.d.M.	2000 m (6500 ft.)
Verschmutzungsgrad	2
Überspannungskategorie	2
Gewicht (mit Akku, ohne Tragekoffer oder Zubehör)	0,50 kg (1,10 lb.)

¹ Die Erkennung von CO₂ erfordert einen optionalen CO₂ -Sensor.

² Zur Erreichung der optimalen Leistung und der angegebenen Empfindlichkeiten das D-TEK Stratus 15 Minuten vor dem Betrieb einschalten.

³ Bei Temperaturen unter 0 °C (32 °F) sollte das Gerät nur begrenzt verwendet werden. Vor der Verwendung in Umgebungen mit tiefen Temperaturen wird eine längere Aufwärmzeit empfohlen.

Tabelle der technischen Daten gemäß EN 14624

	R134a	R1234yf
Mindestempfindlichkeit, stationär (statisch)	1 g/Jahr	0,5 g/Jahr
Maximale Empfindlichkeit, stationär (statisch) ⁴	>50 g/Jahr	>50 g/Jahr
Mindestempfindlichkeit, mobil (dynamisch)	1 g/Jahr	1 g/Jahr
Maximale Empfindlichkeit, mobil (dynamisch) ⁴	>50 g/Jahr	>50 g/Jahr
Minimale Ansprech-/Nachweiszeit	<1 Sek.	<1 Sek.
Nullungszeit	1–4 Sek.	1–4 Sek.
Erholzeit bei Exposition von 50 g/J ⁵	7,6 Sek.	6,4 Sek.
Mindestempfindlichkeit in kontaminierter Umgebung	>2 g/Jahr	1 g/Jahr
Kalibrierhäufigkeit	Jährlich mit kalibriertem Leckstandard überprüfen.	

⁴ Die obere Lecknachweisgrenze wird von INFICON nicht spezifiziert, weil es keine obere Grenze für die Leckgröße gibt, die der Detektor nachweisen kann.

⁵ Weil bei der Prüfung kein 50 g/Jahr-Leckstandard zur Verfügung stand, wurde ein Leck von 32 g/Jahr verwendet.

SAE-Anwendungen

Die amerikanischen SAE-Normen J2791 (R-134a) und J2913 (R-1234yf) spezifizieren die Empfindlichkeit für die folgenden Leckgrößen bei den unten angegebenen Einstellungen. Für Dichtheitsprüfungen in reinen Umgebungen (ohne Hintergrundkonzentration von Kältemittel) ist die Empfindlichkeitseinstellung **Super** empfindlicher als gemäß SAE erforderlich. Bei Dichtheitsprüfungen in einer kontaminierten Umgebung (hohe Kältemittelkonzentration im Hintergrund) sollten Sie die Empfindlichkeitseinstellung **Super** verwenden.

R-134a Leckrate (g/Jahr)	R-1234yf Leckrate (g/Jahr)	Empfindlichkeitseinstellung
14	14	Niedrig
7	7	Mittel
4	4	Hoch

Die folgende Tabelle listet einige häufig unter der Motorhaube verwendete Chemikalien auf und gibt an, ob sie einen falschen Alarm beim D-TEK Stratus auslösen oder nicht.

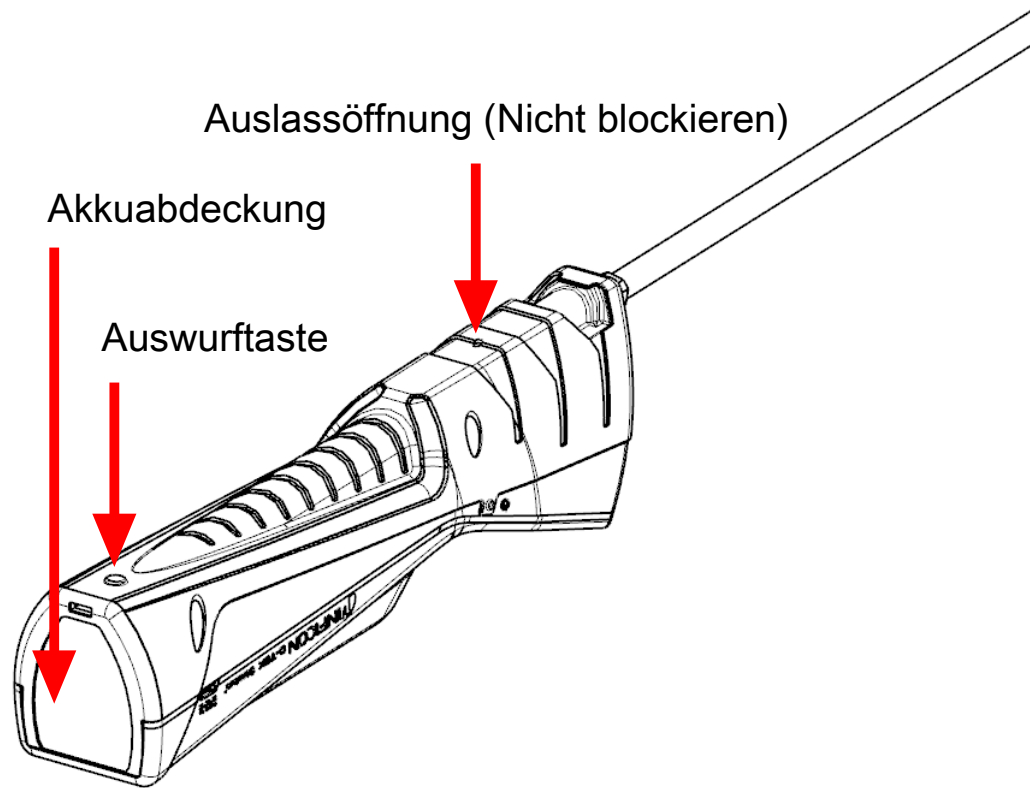
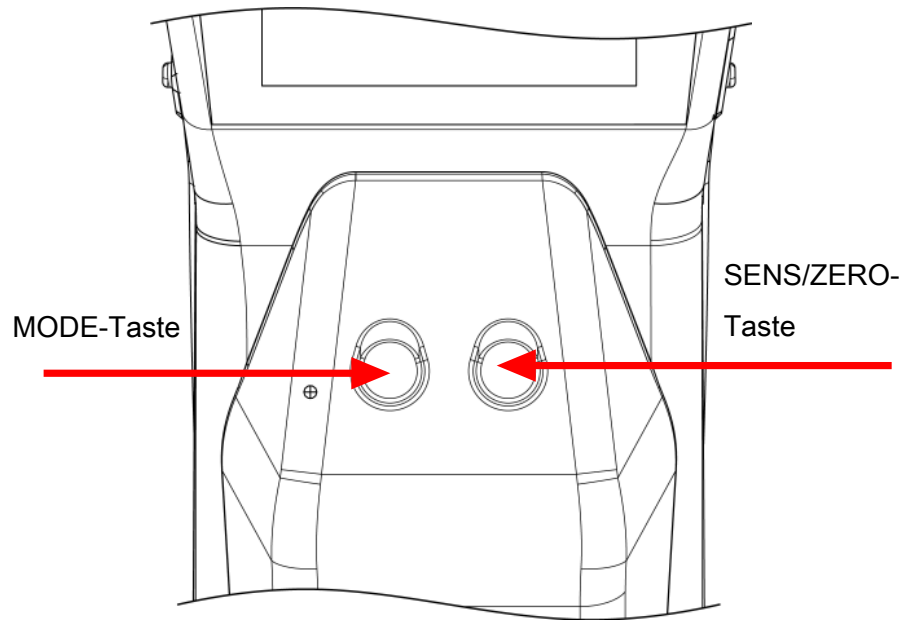
Die Dichtheitsprüfung ist mit abgeschaltetem Motor durchzuführen.

Chemikalie	Fehlalarm
Scheibenwaschflüssigkeit (auf Methanolbasis)	yes
Ford™ Fleckenentferner	Ja
Ford Rostpenetrier- und Rostschutzmittel	Ja
Ford Dichtungs- und Zierleistenkleber	Ja
Permatex™ Natural-Blue-Reiniger und Entfetter	Ja
Ford Reiniger für Bremsteile	Ja
Ford Spühereiniger für Vergaser	Ja
Ford Silikonkautschuk, klar	Ja
Motorcraft™ G-05 Frostschutz-/Kühlmittel	Nein
Gunk™ Liquid Wrench	Nein
Ford Bimsstein/Lotion-Handreiniger	Nein
Ford Motorcraft DOT3 Bremsflüssigkeit	Nein
Ford Silikongleitmittel	Nein
Dexron™ Automatikgetriebeöl	Nein
Mineralisches Motoröl	Nein

Patente (angemeldet)

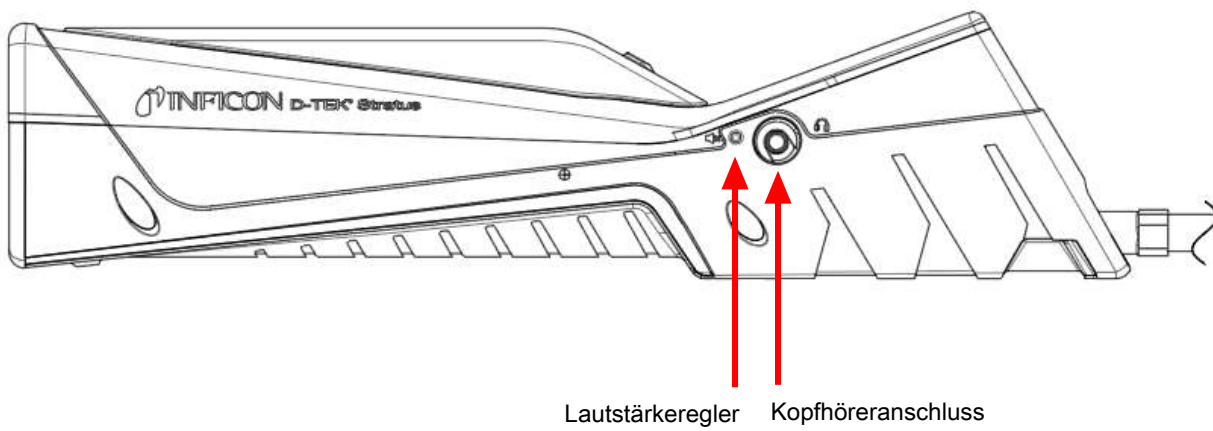
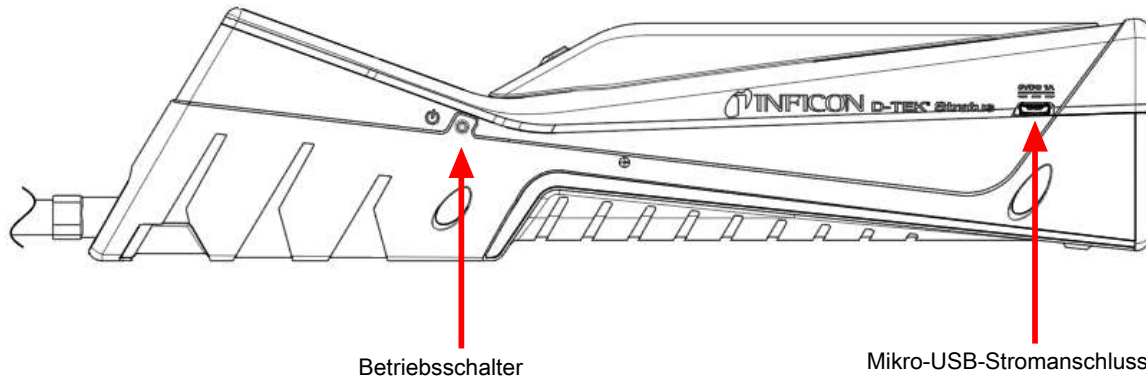
- Anwendung Nr. 10 2018 206 877.1
- Anwendung Nr. 18171080.7
- Anwendung Nr. 10 2018 208 826.8

4 D-TEK Stratus



Deutsch

Deutsch



Deutsch

Deutsch

5 Was versteht man unter Cloud Hunting (Gaswolkenaufspürung)?

Wenn ein Kältemittel aus einer Anlage austritt, verteilt es sich nicht gleichmäßig in der Luft. Normalerweise nimmt die Konzentration des Kältemittels zu, wenn man sich der Leckquelle nähert. Außerdem besitzen Kältemittel eine andere Dichte als Luft, so dass sie zur Bildung von "Gaswolken" in der umgebenden Luft neigen, typischerweise näher zum Boden hin. Diese Gaswolken sind bei den meisten Kältemitteln farb- und geruchlos. Bei der Dichtheitsprüfung mit einem herkömmlichen Lecksuchgerät wird beim Eintritt in eine Kältemittelgaswolke normalerweise ein Alarm ausgelöst. Das macht die Lecksuche jedoch nicht unbedingt einfacher, weil sich die Gaswolke nicht in der Nähe der Leckquelle befinden muss.

Der D-TEK Stratus verwendet eine zum Patent angemeldete Technologie, die die Konzentration des Kältemittels in der Luft in Teilen pro Million (ppm) anzeigt. Auf diese Weise können Sie das Display ablesen und anhand der angezeigten Messwerte nach Bereichen höherer Konzentration suchen, was Sie direkt zur Leckquelle führt.

6 Aufladen des Akkus

Der D-TEK Stratus verwendet einen wiederaufladbaren Lithium-Ionen-Akku, der teilaufgeladen geliefert wird. INFICON empfiehlt, den Akku vor der Verwendung vollständig aufzuladen. Mithilfe des mitgelieferten Ladegeräts oder der Ladestation kann ein leerer Akku in etwa ca. 2 Stunden auf 80 % seiner Ladekapazität und in ca. 3 Stunden auf 100 % seiner Ladekapazität aufgeladen werden. Ein voll aufgeladener Akku liefert je nach Betriebsmodus und -temperatur eine Betriebszeit von etwa 8 bis 10 Stunden. Eine Bildschirmanzeige zeigt die verbleibende Akkukapazität in Prozent an.



Der D-TEK Stratus kann während des Aufladens verwendet werden.

7 Einschalten des Geräts und Vorbereitung zur Verwendung



Wenn sich der Bildschirm nicht einschaltet, ist der Akku fast leer und muss aufgeladen werden. Der D-TEK Stratus kann während des Aufladens verwendet werden.

1. Der D-TEK Stratus wird durch längeres Drücken des (auf der linken Seite des Gerätegehäuses befindlichen) Betriebsschalters Ein- oder Ausgeschaltet.
 - ⇒ Der D-TEK Stratus beginnt eine 45 bis 90 Sekunden lange Aufwärmphase. Wenn die Aufwärmphase abgeschlossen ist, ist das D-TEK Stratus einsatzbereit.
2. Zum Wechseln der Betriebsart die **MODE** -Taste drücken. Die verfügbaren Modi sind **Cloud Hunting**(Gaswolkenaufspürung), **Pinpoint** (Exakte Leckortung) und **Manual Zero** (Manueller Nullabgleich).



Der D-TEK Stratus startet immer im zuletzt benutzten Modus.



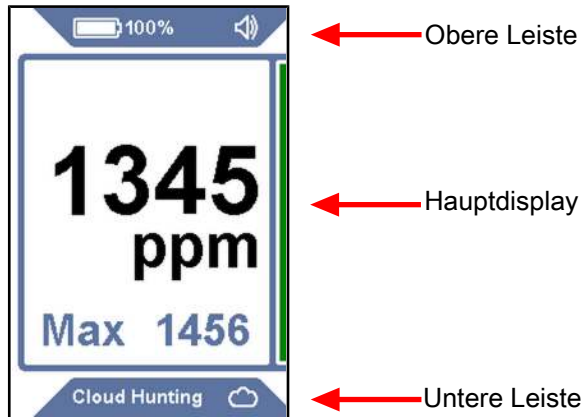
WARNUNG

Auslassöffnung nicht blockieren.

Das Blockieren der Auslassöffnung kann Fehlalarme auslösen oder falsche Messwerte anzeigen.

8 Bildschirmlayout und Symbole

Alle Indikatoren und Informationen werden auf dem Display des D-TEK Stratus angezeigt. Das Display besteht aus einer oberen Leiste, dem Hauptdisplay und einer unteren Leiste.










Obere Leiste: Die obere Leiste enthält das Akkusymbol, den Prozentwert der Restkapazität, die Sensoranzeige (bei Verwendung eines nichtstandardmäßigen Sensortyps) und die Signaltonanzeige.

Symbol	Beschreibung
	Akkuladung ist 75–100%
	Akkuladung ist 75-100%
	Akkuladung ist 50-74%
	Akkuladung ist 30-49%
	Akkuladung ist <10%
	Akku wird aufgeladen
	Lautstärke ist auf 100% eingestellt (Standardeinstellung)
	Lautstärke ist auf 50% eingestellt
	Lautstärke ist stumm geschaltet
CO₂	CO ₂ -Sensor ist installiert

Hauptdisplay: Das Hauptdisplay zeigt die für die Dichtheitsprüfung relevanten Informationen an. Dazu gehören die ppm-Messwerte für den Modus **Cloud Hunting** und Leckanzeigen für die Modi **Pinpoint** und **Manual Zero** .

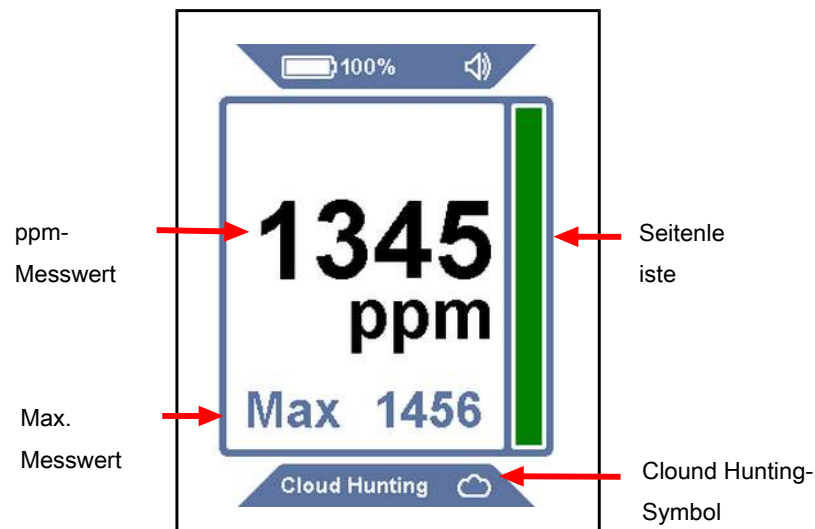
Untere Leiste: Die untere Leiste zeigt den aktuellen Modus und das zugehörige Modussymbol an. Darüber hinaus zeigt sie die Empfindlichkeit für den **Pinpoint** -Modus an.

Symbol	Beschreibung
	zeigt den Cloud Hunting (Gaswolkenaufspürung) an
	zeigt den Pinpoint -Modus (exakte Leckortung) an
	zeigt den Modus Manual Zero (manueller Nullabgleich) an
	Empfindlichkeit = Super (nur im Pinpoint -Modus angezeigt)
	Empfindlichkeit = High (nur im Pinpoint -Modus angezeigt)
	Empfindlichkeit = Medium (nur im Pinpoint -Modus angezeigt)
	Empfindlichkeit = Low (nur im Pinpoint -Modus angezeigt)

Deutsch

Deutsch

9 Verwendung des Cloud-Hunting-Modus (Portabler Monitor)



Der Modus **Cloud Hunting** wird durch einen hohen ppm-Messwert auf dem Display und den Text **Cloud Hunting** zusammen mit einem Wolkensymbol angezeigt. Die Seitenleiste vergrößert oder verkleinert sich in Abhängigkeit vom ppm-Messwert.



Im Cloud-Hunting-Modus gibt es keine Empfindlichkeitseinstellung.

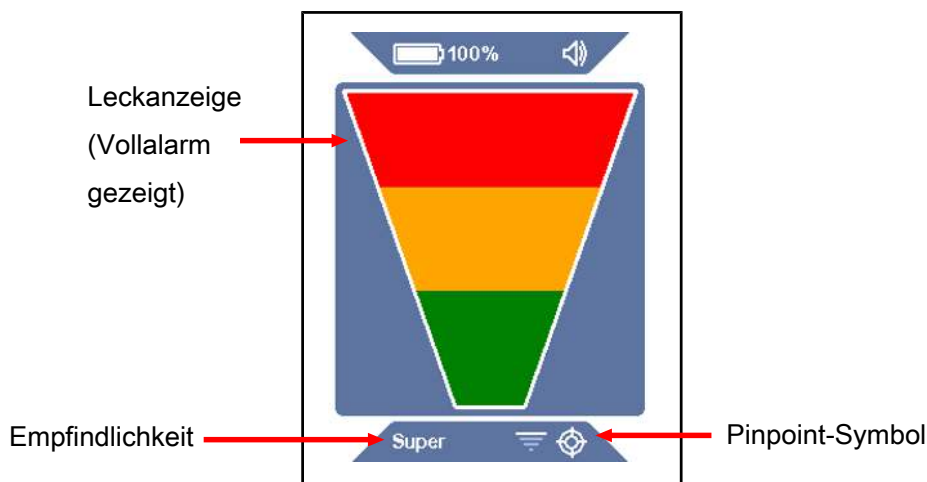
1. Tasten Sie den Bereich der vermuteten Undichtigkeit langsam ab und beobachten Sie den ppm-Messwert.
2. Folgen Sie dem ppm-Messwert, um Bereiche höherer Kältemittelkonzentration zu finden. Je höher der Messwert, desto höher die Konzentration.
3. Drücken Sie die Taste **SENS/ZERO**, um die Funktion **MAX** zu aktivieren bzw. zu deaktivieren. Wenn diese Funktion aktiviert ist, wird die höchste gemessene ppm-Konzentration unter der Hauptanzeige für ppm angezeigt. Um den **MAX** - Messwert wieder zurückzusetzen, die Taste **SENS/ZERO** länger drücken oder die Funktion aus- und wieder einschalten.



Im Modus **Cloud Hunting** verwendet der D-TEK Stratus ein zum Patent angemeldetes Umschaltventil, um die Probe von der Sondenspitze mit der Luft im Gehäuse des Lecksuchers (der Referenzprobe) ständig zu vergleichen. Dank dieser Technologie

kann der D-TEK Stratus Dichtheitsprüfungen ohne Kohlefilter durchführen. Bei mehrminütigem Verbleib in einem Bereich mit hoher Kältemittelkonzentration kann die Referenzprobe mit Kältemittel kontaminiert werden, wodurch der ppm-Messwert allmählich auf Null zurückgehen würde. In diesem Fall sollten Sie für ein paar Minuten einen Bereich mit reiner Luft aufsuchen (bei eingeschaltetem **Cloud Hunting** -Modus), um die Reinheit der Referenzprobe wiederherzustellen.

10 Verwendung des Pinpoint-Modus (exakte Leckortung)



Der **Pinpoint** Pinpoint-Modus wird durch eine große Leckanzeige auf dem Display und ein **Pinpoint** -Symbol auf der unteren Leiste angezeigt. Die aktuelle Empfindlichkeit wird ebenfalls auf der unteren Leiste angezeigt. Dieser Modus funktioniert wie ein standardmäßiges Lecksuchgerät mit automatischer Nullung, wobei die Anzeigebalken aufleuchten, wenn ein Leck erkannt wird.

1. Bringen Sie die Spitze des D-TEK Stratus möglichst nahe an die vermutete undichte Stelle (Luftstrom nicht blockieren!).
2. Bewegen Sie die Sonde langsam entlang der einzelnen potenziellen Leckstellen.
 - ⇒ Wird ein Leck erkannt, signalisiert der D-TEK Stratus einen Alarm und die Bildschirmanzeige leuchtet auf.
3. Wird ein Leck identifiziert, ziehen Sie die Sonde für ein paar Sekunden von der undichten Stelle zurück und prüfen Sie die Stelle anschließend erneut, um das Leck zu bestätigen.

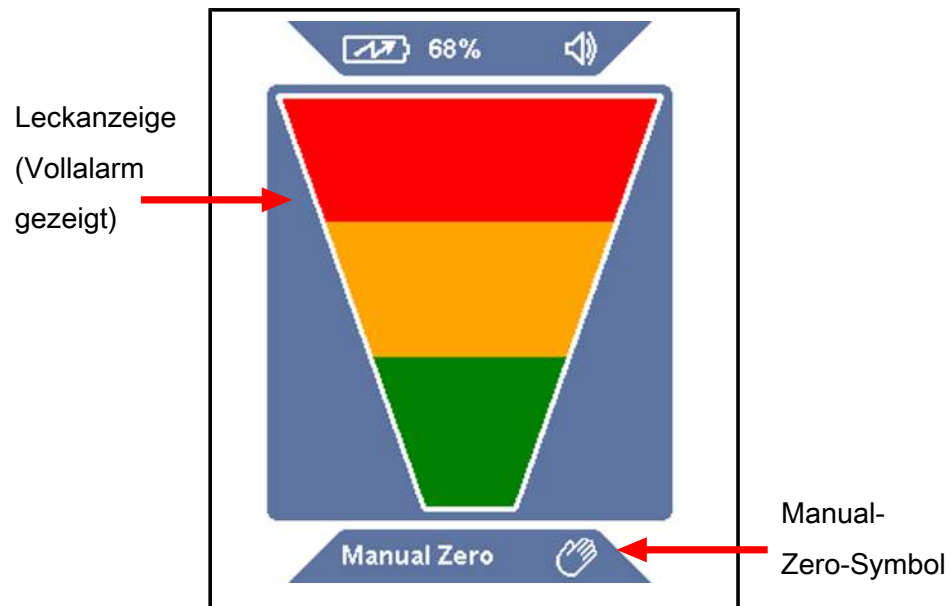


Im **Pinpoint** -Modus wird der D-TEK Stratus automatisch auf die Hintergrundkonzentration des Kältemittels genullt und löst nur bei einer höheren Kältemittelkonzentration einen erneuten Alarm aus. In diesem Fall sollten Sie entweder weiter nach einer höheren Konzentration des Kältemittels suchen oder die Sonde für ein paar Sekunden in einen Bereich niedrigerer Konzentration bewegen, um das Gerät auf Null zurückzusetzen.



Um die Empfindlichkeitseinstellung zu ändern, drücken Sie die Taste **SENS/ZERO** .
Bei einem großen Leck kann die exakte Ortung des Lecks einfacher sein, wenn Sie eine niedrigere Empfindlichkeitseinstellung wählen. Die aktuelle Empfindlichkeit wird auf der unteren Leiste angezeigt.

11 Manueller Nullabgleich-Modus



Der Modus **Manual Zero** (Manueller Nullabgleich) verhält sich ähnlich wie der **Pinpoint**-Modus, wird aber durch den Text **Manual Zero** und das Symbol für **Manual Zero** auf der unteren Leiste identifiziert. Der Modus **Manual Zero** ermöglicht die manuelle Nullung des Geräts auf die Hintergrundkonzentration des Kältemittels durch Drücken der Taste **SENS/ZERO**. Nach Einstellung des neuen Nullpunkts löst der D-TEK Stratus nur dann einen neuen Alarm aus, wenn eine höhere Konzentration des Kältemittels erkannt wird.

Im **Manual Zero** piept das Gerät am Nullpunkt schneller als in den anderen Modi. Wenn die Konzentration niedriger ist als am aktuellen Nullpunkt, verlangsamt sich das Piepen. So zeigt eine Veränderung der Piepfrequenz dem Benutzer an, ob er sich von der Leckquelle entfernt.



Im Modus **Manual Zero** gibt es keine Empfindlichkeitseinstellung.



Um eine optimale Leistung zu gewährleisten, erfordert der Modus **Manual Zero** eine zusätzliche Aufwärmzeit von bis zu 15 Minuten.

12 Kopfhörer und Lautstärkeregler

Auf der rechten Seite von D-TEK Stratus befindet sich eine Kopfhörerbuchse, an der die Warnsignale über Kopfhörer oder Ohrhörer abgehört werden können.



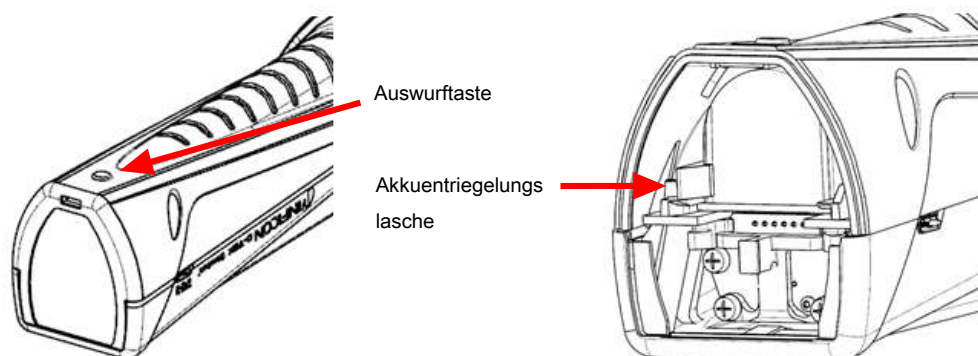
WARNUNG

Wenn Sie andere als die von INFICON gelieferten Kopfhörer verwenden möchten, sollten Sie diese sorgfältig testen, um eventuelle Gehörschäden zu vermeiden.

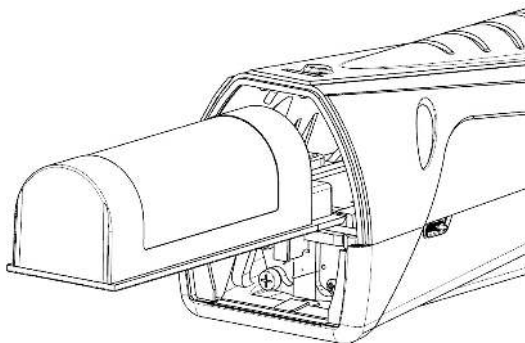
Neben dem Kopfhöreranschluss befindet sich ein Lautstärkeregler. Durch aufeinander folgendes Drücken des Lautstärkereglers lässt sich die Lautstärke von 100 % auf 50 % und dann auf stumm schalten. Die Standardeinstellung für die Lautstärke beim Einschalten ist 100 %. Wenn Kopfhörer oder Ohrhörer eingesteckt sind, wechselt die Lautstärke beim Umschalten zwischen 100 % Lautstärke und Stummschaltung.

13 Auswechseln des Lithium-Ionen-Akkus

1. Drücken Sie die Auswurfaste auf der Rückseite des D-TEK Stratus und nehmen Sie die Akkuabdeckung ab.



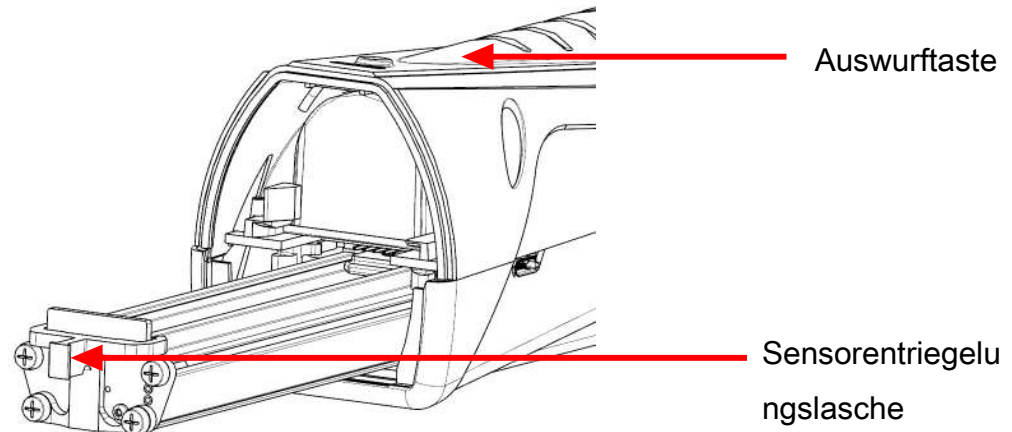
2. Entnehmen Sie den Akku, indem Sie die Entriegelungs lasche zur Seite schieben, bis Sie den Akku greifen können. Ziehen Sie den Akku heraus.
3. Richten Sie den neuen Akku auf die Führungsschienen aus.



4. Schieben Sie den Akku dann vorsichtig entlang der Führungsschienen ein, bis die Akku-Entriegelungs lasche einrastet.
 - ⇒ Dabei bitte keine Gewalt anwenden. Wenn der Akku sich nicht problemlos einschieben lässt, überprüfen Sie seine Ausrichtung und versuchen Sie es erneut.
5. Setzen Sie die Akkuabdeckung wieder auf.

14 Auswechseln des Sensors

Der D-TEK Stratus verwendet einen Sensor in Patronenform, der sich am Einsatzort schnell und bequem austauschen lässt. Neben dem Standardsensor bietet INFICON außerdem einen CO₂ spezifischen Sensor für Anwendungen in der Kälte- und Klimatechnik an. See Ersatzteile und Zubehör [► 94].

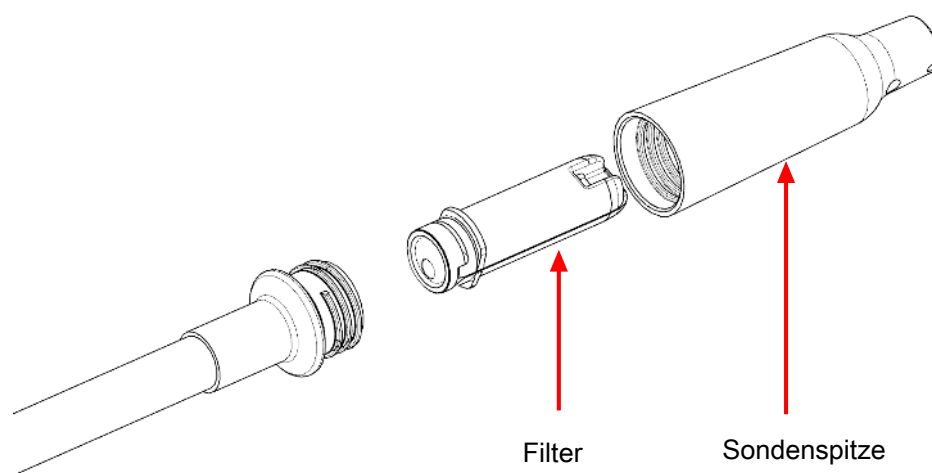


Austausch des Sensors:

1. Drücken Sie die Auswurfaste auf der Rückseite des D-TEK Stratus und nehmen Sie die Akkuabdeckung ab.
2. Greifen Sie die Sensor-Entriegelungsglasche und ziehen Sie den alten Sensor vorsichtig heraus.
3. Richten Sie den neuen Sensor auf die Führungsschienen aus.
4. Schieben Sie den Sensor vorsichtig entlang der Führungsschienen ein, bis er vollständig einrastet.
 - ⇒ Dabei bitte keine Gewalt anwenden. Wenn der Sensor sich nicht leicht einschieben lässt, überprüfen Sie seine Ausrichtung und versuchen Sie es erneut.
5. Setzen Sie die Akkuabdeckung wieder auf.

15 Austausch der Filter

Der D-TEK Stratus verwendet eine hydrophobe Filterpatrone, die Luft und Kältemittel durchlässt, während Wasser, Schmutz und Öl zurückgehalten werden. Schauen Sie sich das weiße Gewebematerial an, um zu entscheiden, ob der Filter erneuert werden muss. Wenn das Gewebematerial verfärbt ist, sollten Sie einen neuen Filter einsetzen. Ein Filterwechsel ist außerdem ein leicht durchzuführender Schritt bei der Fehlersuche, wenn Sie vermuten, dass Ihr Lecksuchgerät Kältemittel nicht korrekt erkennen kann. Ein verstopfter Luftfilter kann den Durchfluss der Probenluft beeinträchtigen.



Durch Einwirkung von Wasser oder Öl auf den Filter kann der Luftstrom blockiert werden. In diesem Fall wird der Filter bei nach unten gerichteter Sonde herausgezogen, um zu vermeiden, dass Verunreinigungen in die Sonde gelangen und ein neuer Filter eingesetzt. Ein nasser Filter kann nach dem Trocknen wiederverwendet werden.



⚠ VORSICHT

Das Gerät bitte niemals ohne Sondenspitze und Filter verwenden.

Austausch des Filters:

1. Schrauben Sie die Sondenspitze ab und nehmen Sie den Filter heraus.
2. Setzen Sie den neuen Filter in die Sonde ein.
3. Schrauben Sie die Sondenspitze wieder auf. Nicht zu fest anziehen.

16 Extra lange Sonde

Der D-TEK Stratus enthält eine extra lange Ersatzsonde zur Leckprüfung in schwer zugänglichen Bereichen.

Anbringung der extra langen Sonde:

1. Standardsonde vom Gehäuse des D-TEK Stratus mithilfe eines 10-mm-Schraubenschlüssels abschrauben.
2. Extra lange Sonde mit einem Drehmoment von etwa 4 N·m (35 in·lb) festziehen. Nicht zu fest anziehen.
3. Sondenspitze von der Standardsonde abschrauben und Filter entfernen (oder neuen Filter verwenden).
4. Filter in die extra lange Sonde einsetzen.
5. Sondenspitze auf die extra lange Sonde aufschrauben. Nicht zu fest anziehen.

17 Nadelsondenverlängerung

Mithilfe der optionalen Nadelsondenverlängerung lassen sich Leckprüfungen in engen Stellen und in Wärmedämmmaterial durchführen. Diese Sonde enthält eine nadelförmige Spitze, mit der sich Wärmedämmmaterial leicht durchstechen lässt und die in enge Stellen passt.

Anbringung der Nadelsondenverlängerung:

1. Die Sondenspitze abschrauben. Den Filter an seinem Platz lassen.
2. Den neuen Filter in die Sondenspitze einsetzen.
3. Die Sondenspitze wieder anschrauben. Nicht zu fest anziehen.

18 Optionale Sensoren

Optionale Sensoren sind für den Einsatz in Anwendungen mit CO₂ (PN 724-701-G2) oder brennbaren Kältemitteln (PN 724-701-G3) erhältlich. Wenn der Sensor für CO₂ oder entflammbares Kältemittel verwendet werden soll, entfernen Sie den Standardsensor und installieren den neuen Sensor gemäß den Anweisungen im Abschnitt Auswechseln des Sensors [▶ 87]. D-TEK Stratus erkennt automatisch den Sensortyp. Die **MODE**-Anzeige leuchtet in der entsprechenden Farbe auf, um den Sensortyp während der gesamten Installation des Sensors anzuzeigen. Grün steht für CO₂, Rot für entflammbares Kältemittel und Orange zeigt an, dass der Standard-Kältemittelsensor installiert ist.



Wenn D-TEK Stratus Ihren Sensor für brennbares Kältemittel nicht automatisch erkennt, wenden Sie sich an INFICON, um einen Softwaretest zu veranlassen.



Der Sensor für entflammbare Kältemittel erkennt keinen Wasserstoff und auch keine Wasserstoff-Formiergase.



Bei der Suche nach CO₂-Lecks wird empfohlen, ein Atemschutzgerät oder eine Maske zu tragen, um das Ausatmen von CO₂ in Richtung der Sonde zu vermeiden.



⚠️ WARNUNG

Die Exposition gegenüber hohen Konzentrationen von CO₂ oder Kältemitteln ist gefährlich und kann lebensbedrohlich sein.

Das Gerät ist nicht für den Einsatz in toxischen oder gefährlichen Umgebungen geeignet. Es handelt sich nicht um persönliche Schutzausrüstung oder ein lebensrettendes Gerät. Gehen Sie in potenziell toxischen oder gefährlichen Umgebungen stets mit äußerster Vorsicht vor.



⚠️ WARNUNG

Dieses Produkt ist nicht eigensicher und darf nicht in Gegenwart von explosiven Dämpfen, explosivem Staub oder anderen explosiven Chemikalien verwendet werden. Die Verwendung in einer Umgebung mit einer Konzentration an brennbarem Kältemittel, die sich der unteren

Explosionsgrenze (UEG) nähert, kann eine Explosion oder ein Feuer verursachen, das zu schweren Verletzungen, Tod oder Sachschäden führen kann.

19 Reinigung und Aufbewahrung

Der D-TEK Stratus kann mit einem milden Reinigungsmittel oder mit Isopropylalkohol gereinigt werden. Dabei ist darauf zu achten, dass das Reinigungsmittel nicht in das Gerät eindringt. Benzin, Aceton oder andere aggressive Lösungsmittel sollten nicht verwendet werden, da sie den Kunststoff oder das Display beschädigen können.

20 Ersatzteile und Zubehör

Ersatztragekoffer	724-700-G1
Kopfhörer	721-607-G1
12 Volt (DC) Kfz-Ladegerät	721-605-G1
Wandladegerät (inkl. Stecker für unterschiedliche Regionen)	721-606-G1
Lithium-Ionen-Akku	721-702-G1
Akku-Ladestation	721-610-G1
Kombination Akku/Ladestation	721-604-G1
Standardsensor (zum Nachweis von FCKW, H-FCKW, H-FKW und HFO und Gemischen (einschließlich A2Ls))	724-701-G1
CO ₂ -Sensor	724-701-G2
Sensor für entflammbares Kältemittel (HC)	724-701-G3
Filterpatronen (Menge, 5)	712-707-G1
Ersatzsondenkappe	712-705-G1
Nadelsondenverlängerung	721-612-G1
Extra lange Sonde	721-611-G1
TEK-Check R134a Prüffleck	703-080-G10

21 Fehlersuchanleitung

Störung	Ursache	Abhilfe
<p>Das folgende Symbol wird angezeigt:</p> 	<p>Es ist ein Akkufehler aufgetreten. Ursachen können ein fehlerhafter Akku, ein falsch installierter Akku oder eine schlechte Verbindung sein.</p>	<p>Akku herausnehmen und wieder einlegen. Wird die Störung dadurch nicht behoben, den Akku austauschen. Siehe Auswechseln des Lithium-Ionen-Akkus [▶ 86].</p>
<p>Das folgende Symbol wird angezeigt:</p> 	<p>Der Akku befindet sich unterhalb oder oberhalb des idealen Temperaturbereichs und wird möglicherweise nicht korrekt aufgeladen.</p>	<p>Akku auf Normaltemperatur bringen.</p>
<p>Das folgende Symbol wird angezeigt:</p> 	<p>Es ist ein Sensorfehler aufgetreten. Ursachen können ein fehlerhafter Sensor, ein falsch installierter Sensor oder eine schlechte Verbindung sein.</p>	<p>Sensor herausnehmen und wieder einlegen. Wird die Störung dadurch nicht behoben, den Sensor austauschen. Siehe Auswechseln des Sensors [▶ 87].</p>
<p>Das Display schaltet sich nach längerem Drücken des Betriebsschalters nicht ein.</p>	<p>Der Ladezustand des Akkus ist kritisch niedrig.</p>	<p>Laden Sie den Akku auf oder schließen Sie das Gerät an ein Ladegerät an.</p>
<p>Das Gerät schaltet sich ein, erkennt jedoch kein Kältemittel.</p>	<p>Das Gerät hat die Aufwärmphase noch nicht abgeschlossen (es wird eine Kaffeetasse angezeigt).</p>	<p>Warten Sie, bis die Aufwärmphase abgeschlossen ist. Sie dauert 45 bis 90 Sekunden.</p>
	<p>Der Filter ist verstopft und beeinträchtigt den Luftstrom.</p>	<p>Erneuern Sie die Filterpatrone. Siehe Austausch der Filter [▶ 88].</p>

Deutsch

Deutsch

Störung	Ursache	Abhilfe
	Die Pumpe ist ausgefallen.	Prüfen Sie das Pumpengeräusch. Wenn die Pumpe kein Geräusch macht und der Akku korrekt aufgeladen ist, wenden Sie sich bitte an INFICON.
	Die Empfindlichkeit ist zu niedrig eingestellt (nur im Pinpoint -Modus).	Überprüfen Sie die Empfindlichkeitseinstellung . Für sehr kleine Lecks sollte die Einstellung High oder Super verwendet werden.
	Der falsche Sensor ist installiert.	Überprüfen Sie, dass der richtige Sensor verwendet wird (Kältemittelsensor oder CO ₂ -Sensor)
	Die Referenzprobe ist kontaminiert (Cloud Hunting -Modus).	Lassen Sie den D-TEK Stratus bis zu fünf Minuten lang in Reinluft im Modus Cloud Hunting laufen.
Das Gerät löst einen Alarm in Reinluft aus.	Die Auslassöffnung ist abgedeckt.	Überprüfen Sie, dass die Auslassöffnung nicht blockiert ist.
	Der falsche Sensor ist installiert.	Überprüfen Sie, dass der Kältemittelsensor anstelle des CO ₂ -Sensors installiert ist.
Der ppm-Messwert fällt in einem bekannt kontaminierten Bereich auf Null ab.	Die Referenzprobe ist möglicherweise kontaminiert.	Lassen Sie den D-TEK Stratus bis zu fünf Minuten lang in Reinluft im Modus Cloud Hunting laufen.
Kein Pumpengeräusch.	Die Pumpe ist ausgefallen.	Wenn der Akku korrekt aufgeladen ist, wenden Sie sich bitte an INFICON.

22 Garantie und Haftbarkeitsbeschränkung

INFICON garantiert für die Dauer von einem Jahr oder zwei Jahren (abhängig von der Region), gerechnet vom Datum des Verkaufs an, dass Ihr D-TEK Stratus Kältemittel-Lecksuchgerät mit portablem Monitor frei von Material- oder Herstellungsfehlern ist. INFICON gewährt keine Garantie für Artikel, die bei normaler Nutzung verschleissen, inkl. des Akkus, der Sensoren und Filter. Weiterhin gewährt INFICON keine Garantie für Geräte, die missbraucht oder vernachlässigt wurden, in einen Unfall verwickelt waren, oder von Personen außerhalb von INFICON repariert oder geändert wurden. Die Haftbarkeit von INFICON beschränkt sich auf Geräte, die an INFICON nicht später als dreißig (30) Tage nach Ablauf der Garantie zurückgeschickt wurden, Fracht vorbezahlt, und deren Fehlfunktion nach dem Ermessen von INFICON in Material- oder Herstellungsfehlern begründet ist. INFICONs Haftbarkeit beschränkt sich, nach seinem Ermessen, auf die Reparatur oder den Ersatz defekter Geräte oder Teile. Diese Garantie tritt an die Stelle aller anderen Garantien, egal ob ausdrücklicher oder stillschweigender Art, einschließlich von Garantien der HANDELSTAUGLICHKEIT oder der TAUGLICHKEIT FÜR EINEN BESTIMMTEN ZWECK oder sonstiger Garantien. Alle weiteren Garantien dieser Art werden ausdrücklich abgelehnt. INFICON übernimmt keine Haftung für Beträge, die den an INFICON bezahlten Preis für das Gerät plus vorbezahlte Frachtkosten zur Rücksendung übersteigen. INFICON ist nicht haftbar für Zufalls- oder Folgeschäden. Alle derartigen Verpflichtungen sind AUSGESCHLOSSEN.

23 Einsenden des Geräts für Garantieansprüche oder zur Reparatur

Kontaktieren Sie Ihren Großhändler zur Bewertung Ihres Garantieanspruchs oder für Reparaturen nach Ablauf der Garantiefrist. Senden Sie Ihr Gerät nicht direkt an INFICON zurück. Alle an INFICON zur Reparatur oder Gutschrift zurückgesendeten Geräte und Teile müssen einschließlich vorbezahlter Frachtkosten ordnungsgemäß verpackt und versichert sein und eine vor der Rücksendung zugewiesene Warenrücksendenummer (RMA-Nummer) haben. Die RMA-Nummer ist auf allen Fracht- und Packzetteln anzugeben. Bitte wenden Sie sich an Ihren INFICON Händler zwecks Unterstützung. Bei Fragen kontaktieren Sie bitte INFICON unter der Rufnummer 800-344-3304 oder wenden Sie sich an Ihr zuständiges INFICON Vertriebsbüro.

Table des matières

1 Déclaration de conformité	100
2 Mises en garde et avertissements	101
3 Spécifications	103
4 D-TEK Stratus	106
5 Qu'est-ce que la Cloud Hunting?.....	108
6 Charge de la batterie	109
7 Allumer l'instrument et le préparer à l'utilisation	110
8 Éléments et symboles à l'écran.....	111
9 Utilisation du mode Cloud Hunting (moniteur portable).....	113
10 Utilisation du mode directionnel.....	115
11 Mode Manual Zero	117
12 Écouteurs et contrôle du volume	118
13 Dépose et installation de la batterie lithium-ion	119
14 Dépose et installation du capteur	120
15 Remplacement des filtres	121
16 Sonde extra-longue	122
17 Rallonge de la sonde à aiguille.....	123
18 Capteurs en option	124
19 Nettoyage et stockage.....	126
20 Pièces de rechange et accessoires.....	127
21 Guide de dépannage	128
22 Garantie et limitation de responsabilité	130
23 Renvoi de l'instrument au titre de la garantie ou pour réparations	131

1 Déclaration de conformité



DÉCLARATION EUROPÉENNE DE CONFORMITÉ

Cette déclaration est établie sous la seule responsabilité du fabricant INFICON. L'objet de cette déclaration est de certifier que cet équipement, conçu et fabriqué par:

INFICON Inc.
Two Technology Place
East Syracuse, NY 13057
États-Unis

est en conformité avec la législation pertinente d'harmonisation de la Communauté. Il a été construit conformément aux bonnes pratiques d'ingénierie applicables à la sécurité en vigueur dans la Communauté et ne met pas en danger la sécurité des personnes, des animaux domestiques et des biens lorsqu'il est correctement installé, entretenu et employé dans les applications pour lesquelles il a été fabriqué.

Description de l'équipement : Détecteur de fuites de fluide frigorigène et moniteur portable D-TEK Stratus
Numéro du modèle: 724-20x-Gxx (applicable à tous les numéros du groupe)
Directives applicables: 2014/35/CE LVD
 2014/30/CE (CEM générale)
 2011/65/CE telle qu'amendée par 2015/863/CE RoHS
 2006/66/CE telle qu'amendée par 2013/56/CE - directive sur les batteries

Normes applicables:

Sécurité:	EN 61010-1:2010	Spécifications de sécurité pour les équipements électriques de mesure, de contrôle et d'utilisation en laboratoire. Spécifications générales
	EN 62133:2013	Spécifications de sécurité pour les cellules secondaires scellées portables et pour les batteries fabriquées à partir d'elles, pour utilisation dans des applications portables. Cert. Test CB DK-73443-UL
	UL 2054	Norme UL sur la sécurité des batteries domestiques et commerciales Cert 20180518-MH29443
	UL 60950-1 & CAN/CSA-C22.2 No. 60950-1-07	Norme UL pour les équipements des technologies de l'information de sécurité – Sécurité – Section 1 : Spécifications générales Cert 20180518-MH294
	UN 38.3	Manuel des tests et critères des Nations-Unies, Section III, sous-section 38.3. Transport sécuritaire des batteries rechargeables lithium-ion
Émissions :	EN 61326-1:2013	Édition 2.0 (émissions par conduction, rayonnement et d'harmoniques) (CEM - Équipements de mesures, de contrôle et de laboratoire)
	CISPR 11/EN 55011:2009	Norme d'émission pour les équipements de radio-fréquence industriels, scientifiques et médicaux – ISM), Classe A
Immunité :	EN 61326-1:2013	Édition 2.0 (CEM - Équipements de mesure, de contrôle et de laboratoire) Immunité selon le Tableau A.1 - Équipements portables de mesure et de tests
Conforme	RoHS	
Date de mise en place CE :	7 mai 2019	

Représentant agréé :
 Brian King
 INFICON
 Directeur général – Outils d'entretien
 Two Technology Place
 East Syracuse, NY USA 13057

Représentant agréé EU
 INFICON GmbH
 50968 Köln, Bonner Str. 498

LES QUESTIONS RELATIVES À CETTE DÉCLARATION OU À LA SÉCURITÉ DES PRODUITS INFICON DOIVENT ÊTRE ADRESSÉES, PAR ÉCRIT, AU REPRÉSENTANT AGRÉÉ À L'ADRESSE INDICUÉE CI-DESSUS.

2 Mises en garde et avertissements

Mises en garde :

- N'utilisez qu'un chargeur/cordon certifié avec une sortie de 5 V (cc) ± 5 %, 1 A ± 5 %.
- Gardez l'appareil hors des lieux à températures extrêmement élevées ou basses.
- N'exposez pas la batterie à des liquides.
- N'utilisez pas l'appareil si vous remarquez que la batterie est endommagée.
- Ne désassemblez ni modifiez la batterie.
- Manipulez et éliminez la batterie conformément à la réglementation locale.
- Si l'opération de charge ne se termine pas, même lorsque la durée de charge spécifiée s'est écoulée, interrompez immédiatement la recharge.
- Ne laissez pas la batterie sans surveillance pendant qu'elle se charge.
- Débranchez le chargeur une fois la batterie entièrement rechargée.
- Toute utilisation ou élimination incorrecte des batteries lithium-ion peut entraîner un incendie.
- Cet instrument ne doit pas être utilisé dans un environnement inflammable.
- Les environnements présentant un niveau élevé d'émissions de radiofréquences peuvent provoquer de fausses alarmes.



AVERTISSEMENT

Ce symbole est employé pour avertir l'utilisateur de la présence d'instructions d'utilisation et de maintenance (entretien) importantes dans les documents liés à cet instrument.



AVERTISSEMENT

L'exposition à des concentrations élevées de CO₂ ou de fluides frigorigènes est dangereuse, voire fatale.

L'appareil ne doit pas être utilisé dans un environnement toxique ou dangereux. Ce n'est pas un dispositif de protection individuelle, ni un matériel de sauvetage. Veillez à faire preuve d'une extrême prudence dans des environnements potentiellement toxiques ou dangereux.

**⚠️ AVERTISSEMENT**

Ce produit est non de sécurité intrinsèque (NSI) et ne doit pas être utilisé en présence de vapeurs explosives, de poussières explosives ou d'autres produits chimiques explosifs. Son utilisation dans un environnement avec une concentration de fluide frigorigène inflammable proche de la limite inférieure d'explosivité (LIE) peut provoquer une explosion ou un incendie entraînant des blessures graves, la mort ou des dégâts matériels.

3 Spécifications

Utilisation	intérieur/extérieur
Type de capteur	infrarouge
Fluides frigorigènes compatibles	tous les CFC, HCFC, HFC, HFO, mélanges (y compris les A2L) et le CO ₂ ¹
Sensibilité minimale (mode directionnel, sensibilité Super)	1 g/an (0,03 oz/an) ²
Résolution de l'écran (mode Cloud Hunting)	1 ppm
Plage d'affichage (mode Cloud Hunting)	0 à 9999 ppm
Précision (mode Cloud Hunting, avec référence air propre, R134a)	±1 ppm ±10 % du relevé
Type de batterie	lithium-ion
Type de connecteur de charge	micro USB
Durée de charge (à partir de 0 %)	environ 3 heures
Durée d'utilisation de la batterie	environ 8 heures (Cloud Hunting) environ 10 heures (Pinpoint)
Tension d'entrée	5 V (cc) ±5 %
Intensité d'entrée	1 A ±5 %
Durée de préchauffage	45 à 90 secondes
Plages de température et humidité	
• Entreposage	-20 à 60 °C (-4 à 140 °F)
• Fonctionnement ³	-20 à 50 °C (-4 à 122 °F)
• Charge	0 à 45 °C (32 à 113 °F)
• Humidité	95 % HR max. sans condensation
Altitude	2000 m (6500 pi)
Degré de pollution	2
Catégorie de surtension	2
Poids (avec batterie ; mais sans mallette ni accessoires)	0,50 kg (1,10 lb)

¹ La détection de₂ nécessite un capteur de CO₂ en option.

² Pour atteindre une performance optimale et les sensibilités spécifiées, il est recommandé de faire fonctionner le D-TEK Stratus pendant 15 minutes avant utilisation.

³ L'utilisation à des températures inférieures à 0°C (32°F) devrait être limitée. Une durée de préchauffage prolongée est recommandée avant utilisation dans des environnements à basse température.

Table de spécifications conformément à EN 14624

	R134a	R1234yf
Sensibilité minimale, fixe (statique)	1 g/an	0,5 g/an
Sensibilité maximale, fixe (statique) ⁴	> 50 g/an	> 50 g/an
Sensibilité minimale, en mouvement (dynamique)	1 g/an	1 g/an
Sensibilité maximale, en mouvement (dynamique) ⁴	> 50 g/an	> 50 g/an
Temps de réaction/détection minimal	< 1 s	< 1 s
Temps de zéroage	1 à 4 s	1 à 4 s
Temps de récupération pour une exposition de 50 g/an ⁵	7,6 s	6,4 s
Sensibilité minimale dans un environnement contaminé	> 2 g/an	1 g/an
Fréquence d'étalonnage	Vérifiez annuellement avec le standard de fuite étalonné	

⁴ La limite de détection de fuite supérieure n'est pas spécifiée par INFICON étant donné qu'il n'y a pas de limite supérieure à la taille de la fuite que le détecteur est capable de détecter.

⁵ Comme aucun standard pour fuite de 50 g/an n'était disponible pendant l'essai, un standard pour fuite de 32 g/an a été substitué.

Applications SAE

Les normes SAE J2791 (R-134a) et J2913 (R-1234yf) spécifient une sensibilité aux tailles de fuites suivantes pour les réglages correspondants ci-dessous. La sensibilité Super est plus sensible que ce qui est exigé par SAE pour la détection de fuite dans un environnement propre (sans fluide frigorigène de fond). En cas de détection de fuite dans un environnement contaminé (fluide frigorigène de fond élevé), passez à la sensibilité Super.

Taux de fuite R-134a (g/an)	Taux de fuite R-1234yf (g/an)	Réglage de la sensibilité
14	14	faible
7	7	moyenne
4	4	élevée

Le tableau suivant dresse la liste de certains produits chimiques couramment sous le capot, et indique s'ils sont susceptibles de causer un déclenchement erroné du D-TEK Stratus.

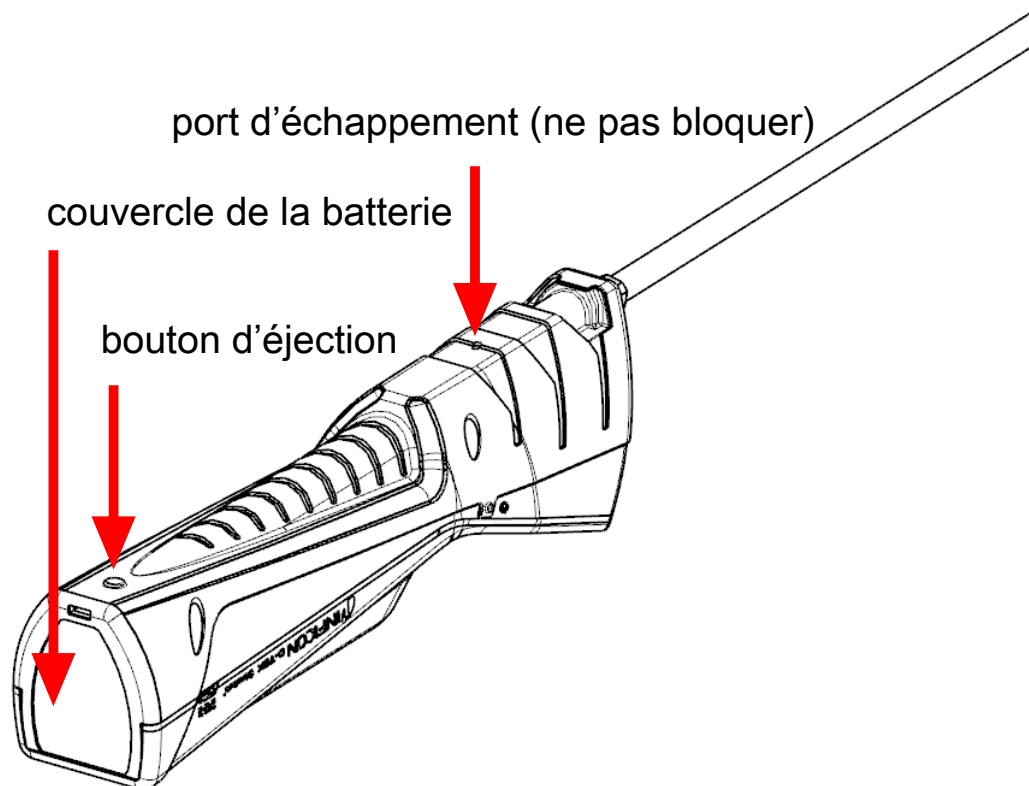
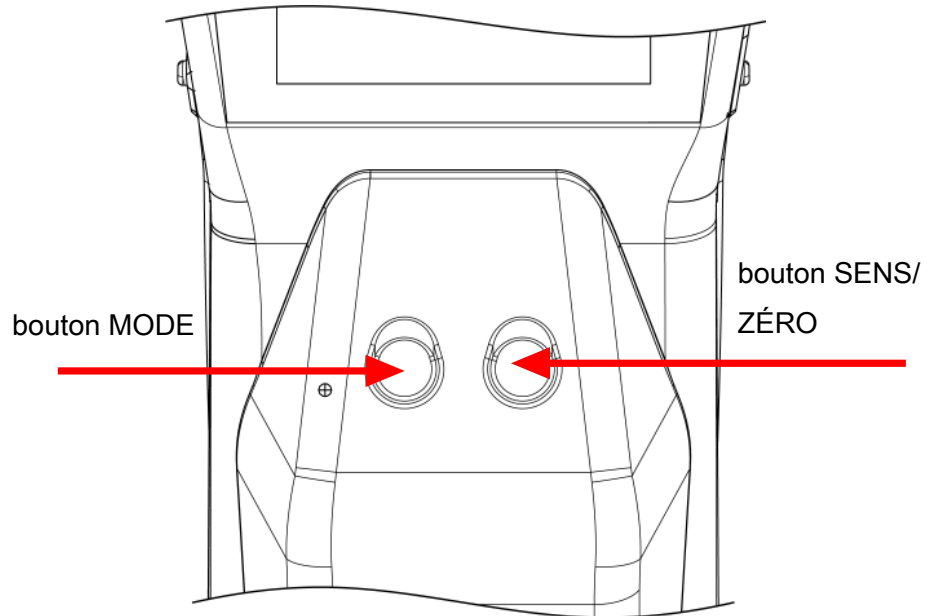
Réalisez le test de fuite, moteur éteint.

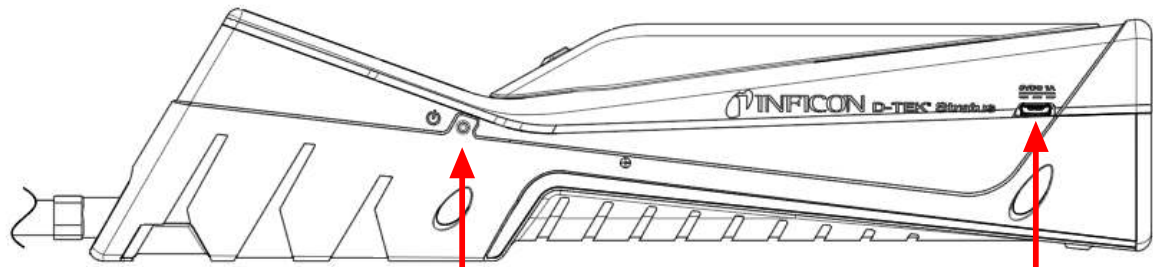
Produit chimique	Déclenchement erroné
solvant de lave-glace (à base de méthanol)	oui
détachant-dissolvant Ford™	oui
imprégnateur et inhibiteur de rouille Ford	oui
adhésif pour joints et garnitures Ford	oui
nettoyant et dégraissant bleu naturel Permatex™	oui
nettoyant de pièces de freins Ford	oui
spray nettoyant d'entretien du carburateur Ford	oui
caoutchouc de silicone transparent Ford	oui
antigel/liquide de refroidissement Motorcraft™ G-05	non
clé liquide Gunk™	non
pierre ponce/lotion nettoyante pour mains Ford	non
liquide de frein DOT3 Ford Motorcraft	non
lubrifiant au silicone Ford	non
fluide de boîte de vitesse automatique Dexron™	non
huile moteur minérale	non

Brevets (en instance)

- Demande n°10 2018 206 877.1
- Demande n°18171080.7
- Demande n°10 2018 208 826.8

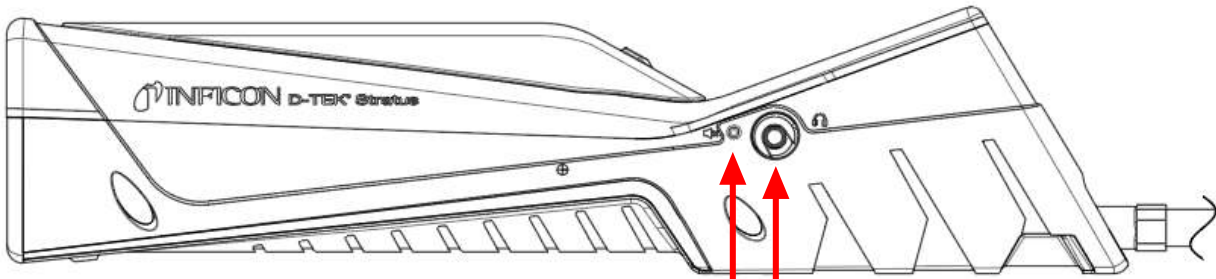
4 D-TEK Stratus





bouton
d'alimentation

port d'alimentation
micro-USB



bouton de volume

prise d'écouteurs

Français

Français

5 Qu'est-ce que la Cloud Hunting?

Lorsque du fluide frigorigène s'échappe d'un système, il ne se disperse pas de manière uniforme dans l'air. La concentration de fluide frigorigène est d'habitude plus élevée près de la source de la fuite. La densité des fluides frigorigènes est également différente de celle de l'air, ils ont donc tendance à former des « nuages » dans l'air, en général à proximité du sol. Pour la plupart des fluides frigorigènes, ces nuages n'ont ni couleur ni odeur. Lors de la détection de fuite avec un détecteur de fuite traditionnel, celui-ci se déclenchera probablement lorsque l'opérateur passera dans un nuage de fluide frigorigène. Ceci ne vous aide pas à trouver la fuite, car il se peut que le nuage ne se trouve pas à proximité de la source de la fuite.

Le D-TEK Stratus utilise une technologie en instance de brevetage pour afficher, en parties par million (ppm) la concentration de fluide frigorigène dans l'air. Ceci vous permet de lire l'affichage et de suivre la mesure affichée pour trouver les zones à plus forte concentration, ce qui vous permet d'arriver directement à la source de la fuite.

6 Charge de la batterie

Le D-TEK Stratus utilise une batterie rechargeable au lithium-ion qui est livrée partiellement chargée. INFICON recommande de charger complètement la batterie avant de l'utiliser. À l'aide du chargeur fourni ou de la station de recharge, il est possible de charger une batterie vide jusqu'à 80 % en environ 2 heures et à 100 % en environ 3 heures. Une charge complète permet un fonctionnement 8 à 10 heures, en fonction du mode utilisé et de la température de fonctionnement. Un indicateur à l'écran affiche le pourcentage de batterie restante.



Le D-TEK Stratus peut être utilisé en cours de chargement.

7 Allumer l'instrument et le préparer à l'utilisation



Si l'écran ne s'allume pas, c'est que la batterie est faible et doit être rechargée. Le D-TEK Stratus peut être utilisé en cours de chargement.

1. Appuyez de manière prolongée sur le bouton d'alimentation (situé du côté gauche du corps de l'instrument) pour allumer ou éteindre le D-TEK Stratus.
⇒ Le D-TEK Stratus commence un préchauffage de durée variable (entre 45 et 90 secondes). Une fois préchauffage est terminé, le D-TEK Stratus est prêt à l'emploi.
2. Pour passer d'un mode à l'autre, appuyez sur le bouton **MODE**. Ceci permet d'alterner entre les modes **Cloud Hunting**, **Pinpoint** et **Manual Zero**.



Le D-TEK Stratus démarre toujours dans le dernier mode utilisé.



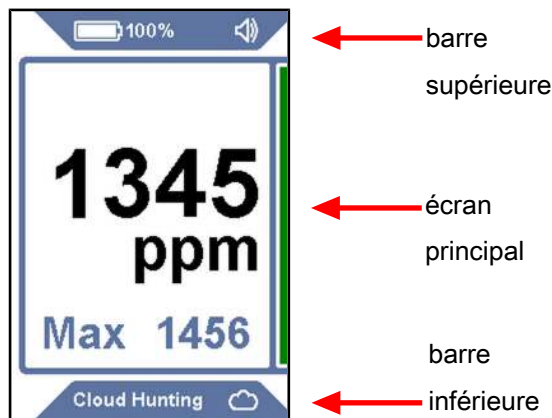
AVERTISSEMENT

Ne bloquez pas le port d'échappement.

Bloquer l'air d'échappement peut entraîner des fausses alarmes ou mesures erronées.

8 Éléments et symboles à l'écran

Le D-TEK Stratus utilise l'écran d'affichage pour tous les indicateurs et informations. L'affichage se compose d'une barre supérieure, de l'écran principal et d'une barre inférieure.










Barre supérieure: La barre supérieure comprend le symbole de batterie, le pourcentage, l'indicateur de capteur (lorsqu'un type de capteur non standard est utilisé) et l'indicateur de son.

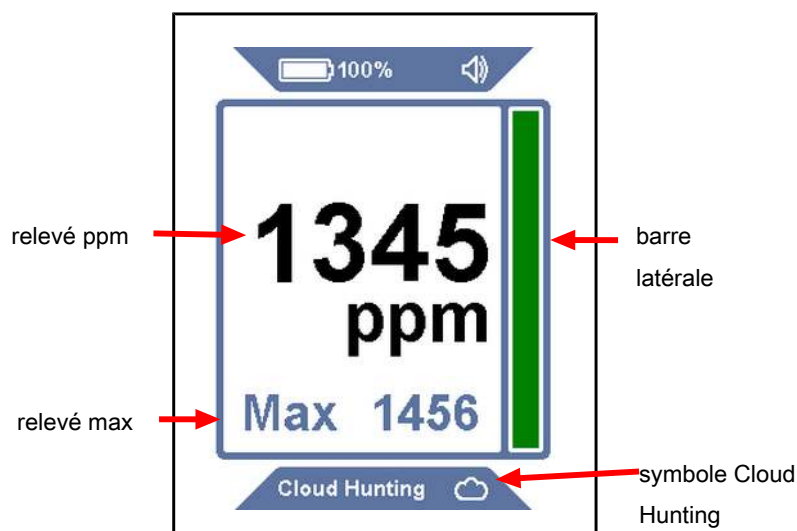
Symbole	Description
	le niveau de charge de la batterie est compris entre 75 et 100 %
	le niveau de charge de la batterie est compris entre 50 et 74 %
	le niveau de charge de la batterie est compris entre 30 et 49 %
	le niveau de charge de la batterie est compris entre 10 et 29 %
	le niveau de charge de la batterie est <10%
	la batterie est en cours de chargement
	le volume est réglé sur 100 % (par défaut)
	le volume est réglé sur 50 %
	le volume est en sourdine
CO2	le capteur de CO ₂ sensor est installé

Écran principal: L'écran principal affiche les informations nécessaires à la détection d'une fuite. L'écran principal comprend le relevé ppm pour le mode **Cloud Hunting** et les indicateurs de fuite pour les modes Directionnel et **Manual Zero**.

Barre inférieure: La barre inférieure affiche le mode actuel et le symbole d'indication du mode. Elle inclut également la sensibilité pour le mode Directionnel.

Symbole	Description
	indique le mode Cloud Hunting
	indique le mode Directionnel
	indique le mode Manual Zero
	sensibilité = Super (Super) (uniquement affichée en mode Directionnel)
	sensibilité = Élevée (High) (uniquement affichée en mode Directionnel)
	sensibilité = Moyenne (Medium) (uniquement affichée en mode Directionnel)
	sensibilité = Faible (Low) (uniquement affichée en mode Directionnel)

9 Utilisation du mode Cloud Hunting (moniteur portable)



Le mode **Cloud Hunting** est identifié par un grand relevé ppm à l'écran et le texte **Cloud Hunting** au bas, ainsi qu'un symbole de nuage. La barre latérale augmente et baisse en fonction des changements du relevé ppm.



Il n'y a pas de réglage de la sensibilité dans le mode Cloud Hunting.

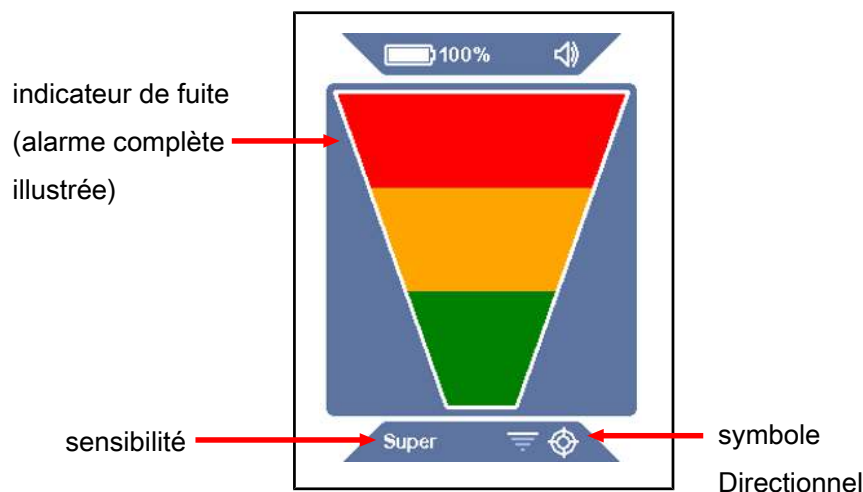
1. Déplacez-vous lentement dans les zones suspectes et observez le relevé ppm.
2. Suivez le relevé ppm pour trouver des zones à plus forte concentration en fluide frigorigène. Plus le chiffre est élevé, plus la concentration est élevée.
3. Appuyez sur le bouton **SENS/ZERO** pour activer ou désactiver la fonctionnalité **MAX**. Lorsqu'activé, le niveau ppm le plus élevé observé est affiché en dessous de l'écran principal ppm. Pour réinitialiser le relevé **MAX**, appuyez longuement sur le bouton **SENS/ZERO** ou désactivez la fonctionnalité et réactivez-la.



Le D-TEK Stratus utilise une soupape de commutation en instance de brevetage en mode **Cloud Hunting** pour constamment comparer l'échantillon du bout de la sonde à l'air se trouvant dans le corps du détecteur de fuite (l'échantillon de référence). Cette technologie est ce qui permet au D-TEK Stratus de fonctionner sans filtre au carbone. Rester plusieurs minutes dans une zone à forte concentration en fluide frigorigène

peut causer la contamination de l'échantillon de référence par le fluide frigorigène, ce qui ramène le relevé ppm à zéro. Si cela se produit, revenez dans une zone à air propre (en mode **Cloud Hunting**) pendant quelques minutes pour permettre à l'échantillon de référence de redevenir propre.

10 Utilisation du mode directionnel



Le mode Directionnel est identifié à l'écran par un grand indicateur de fuite et un symbole Directionnel dans la barre inférieure. La sensibilité actuelle est également indiquée dans la barre inférieure. Ce mode fonctionne comme un détecteur de fuite standard avec zéroage automatique, dans lequel les barres d'indication s'allument pour indiquer la détection d'une fuite.

1. Placez l'embout du D-TEK Stratus aussi près que possible de la fuite suspectée (sans bloquer l'écoulement d'air).
2. Déplacez lentement la sonde devant chaque point de fuite possible.
 - ⇒ Si une fuite est détectée, une alarme se déclenche dans le D-TEK Stratus, et l'indicateur à l'écran s'allume.
3. Lorsqu'une fuite est identifiée, éloignez la sonde de la fuite pendant quelques secondes et vérifiez à nouveau l'endroit en question.

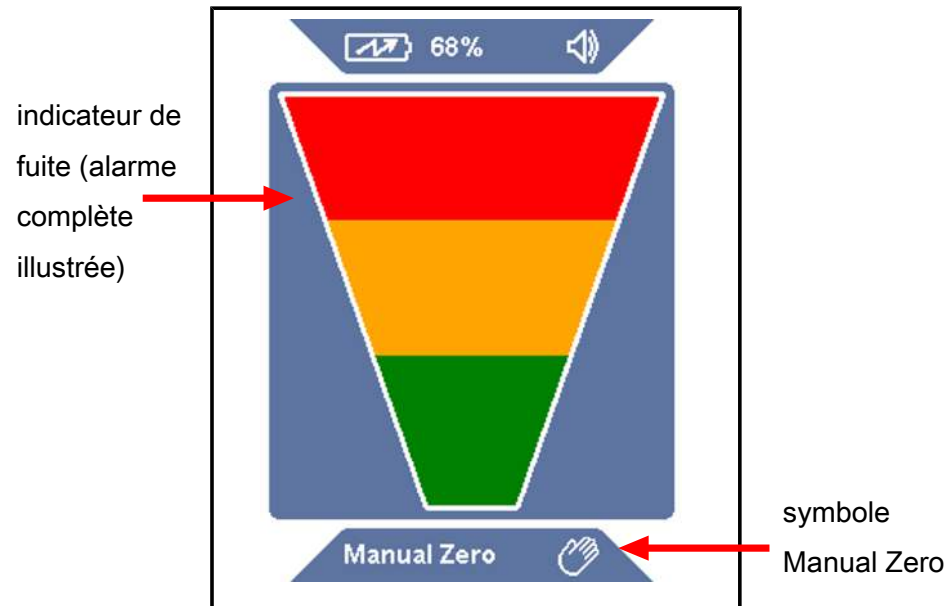


En mode Directionnel, le D-TEK Stratus fait automatiquement un zéroage sur le fluide frigorigène de fond et l'alarme ne se déclenche à nouveau que si la concentration de fluide frigorigène est plus élevée. Lorsque cela se produit, continuez de rechercher des concentrations plus élevées de fluide frigorigène ou déplacez la sonde vers une zone à plus faible concentration pendant quelques secondes afin de réinitialiser le point zéro.



Appuyez sur le bouton **SENS/ZERO** pour modifier le réglage de la sensibilité. Lorsque vous travaillez sur une grande fuite, il peut être plus facile de déceler l'endroit de la fuite à l'aide d'un réglage de sensibilité plus faible. La sensibilité actuelle est affichée dans la barre inférieure.

11 Mode Manual Zero



Le mode Manual Zero fonctionne de manière similaire au mode Directionnel, mais il est identifié par le texte Manual Zero et le symbole Manual Zero dans la barre inférieure. Le mode Manual Zero permet à l'utilisateur de faire un zéro tage manuel pour le fluide frigorigène de fond en appuyant sur le bouton **SENS/ZERO**. Une fois le nouveau point zéro réglé, l'alarme du D-TEK Stratus ne se déclenchera que lorsqu'une concentration plus élevée de fluide frigorigène sera détectée.

Le mode Manual Zero émet des bips plus rapides au point zéro que dans d'autres modes. Si la concentration est plus faible que le point zéro actuel, les bips ralentissent. L'écoute du changement de vitesse des bips permet à l'utilisateur de savoir s'il s'éloigne de la fuite.



Il n'y a pas de réglage de la sensibilité dans le mode Manual Zero.



Pour une performance optimale, le mode Manual Zero nécessite un temps de préchauffage supplémentaire pouvant aller jusqu'à 15 minutes.

12 Écouteurs et contrôle du volume

Une prise jack située sur le côté droit du D-TEK Stratus permet de brancher des écouteurs ou des earbuds pour écouter les signaux d'alarme.



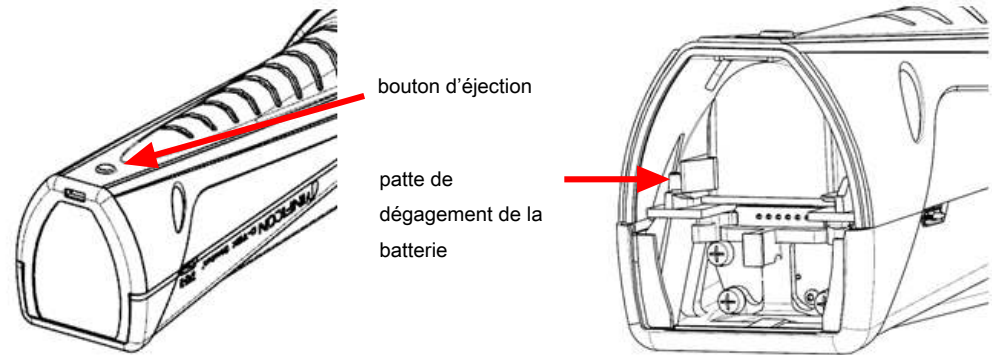
AVERTISSEMENT

Si vous essayez d'utiliser des écouteurs non fournis par INFICON, veuillez à bien les tester afin d'éviter d'endommager votre ouïe.

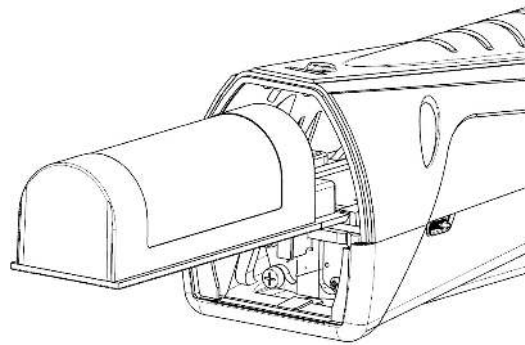
Un bouton de volume est situé à côté de la prise écouteurs. Appuyez sur le bouton de volume pour passer de 100 % de volume à 50 % de volume et enfin au mode de sourdine. Par défaut, le volume est de 100 % au démarrage. Lorsque l'on branche les écouteurs ou earbuds dans la prise, le volume passe du volume maximum au mode silencieux et inversement.

13 Dépose et installation de la batterie lithium-ion

1. Appuyez sur le bouton d'éjection à l'arrière du D-TEK Stratus et enlevez le couvercle de la batterie.



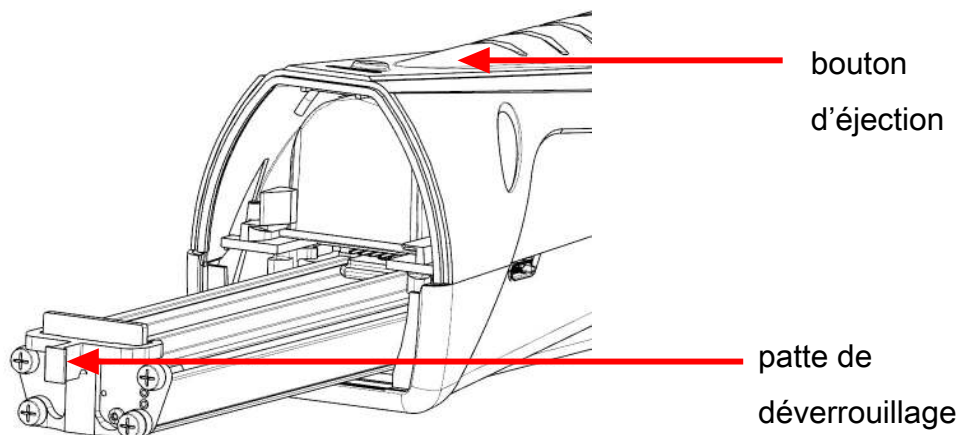
2. Retirez la batterie en poussant la languette de dégagement de la batterie, sur le côté, jusqu'à ce que la batterie commence à s'éjecter. Faites glisser la batterie pour la sortir.
3. Alignez la batterie sur les rails.



4. Poussez doucement la batterie sur les rails jusqu'à ce que la languette de dégagement de la batterie s'enclenche.
⇒ Ne forcez pas la batterie. Si la batterie ne glisse pas librement, vérifiez l'alignement et réessayez.
5. Réinstallez le couvercle de la batterie.

14 Dépose et installation du capteur

Le D-TEK Stratus utilise un capteur de style cartouche qui peut être retiré et remplacé facilement et rapidement sur le terrain. En plus du capteur standard, INFICON offre un capteur spécifique de CO₂ pour une utilisation dans les applications de réfrigération et de climatisation. Voir Pièces de rechange et accessoires [► 127].

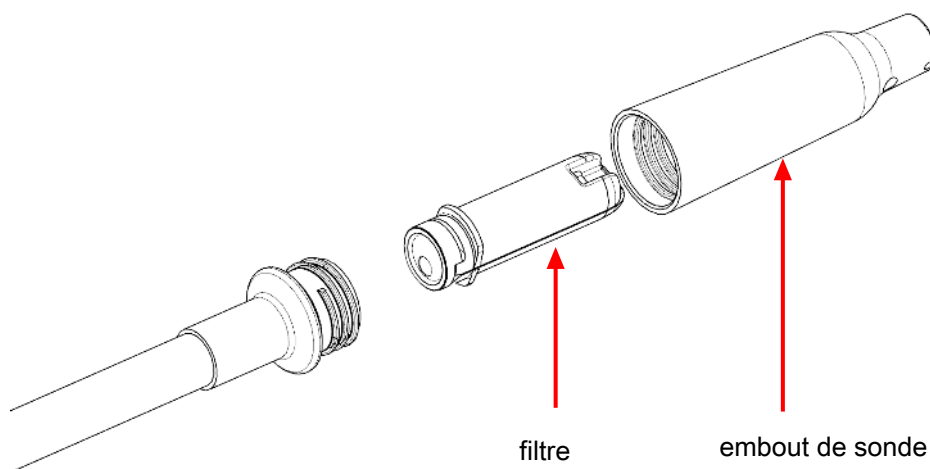


Pour remplacer le capteur :

1. Appuyez sur le bouton d'éjection à l'arrière du D-TEK Stratus et enlevez le couvercle de la batterie.
2. Saisissez la languette de dégagement du capteur et tirez-le en douceur.
3. Alignez le nouveau capteur sur les rails.
4. Poussez en douceur le capteur sur les rails jusqu'à ce qu'il soit entièrement inséré.
⇒ Ne forcez pas le capteur. S'il ne glisse pas librement, vérifiez l'alignement et réessayez.
5. Réinstallez le couvercle de la batterie.

15 Remplacement des filtres

Le D-TEK Stratus utilise une cartouche de filtre hydrophobe qui laisse passer l'air et les fluides frigorigènes tout en filtrant l'eau, la poussière et l'huile. Examinez le tissu blanc pour déterminer si le filtre doit être remplacé. Si le tissu paraît décoloré, installez un nouveau filtre. Remplacer le filtre est également une méthode de dépannage facile si vous soupçonnez que le détecteur de fuite ne détecte pas correctement les fluides frigorigènes. Un filtre à air obstrué peut limiter la circulation de l'air d'échantillon.



Exposer le filtre à de l'eau ou à de l'huile peut bloquer la circulation de l'air. Si cela se produit, retirez le filtre avec la sonde dirigée vers le bas pour éviter que des contaminants ne se déposent sur la sonde, et installez un nouveau filtre. Si le filtre est humide, il peut être réutilisé une fois sec.



⚠ ATTENTION

N'utilisez jamais l'instrument sans un embout de sonde et un filtre.

Pour remplacer le filtre :

1. Dévissez l'embout de sonde et retirez le filtre.
2. Insérez le filtre neuf dans la sonde.
3. Vissez l'embout de sonde. Ne serrez pas excessivement.

16 Sonde extra-longue

Le D-TEK Stratus Stratus comprend une sonde de rechange extra-longue pour la détection des fuites dans les zones difficiles d'accès.

Pour installer la sonde extra-longue :

1. Dévissez la sonde standard du corps du D-TEK Stratus à l'aide d'une clé de 10 mm.
2. Vissez la sonde extra-longue selon un couple de 4 Nm (35 in-lb). Ne serrez pas excessivement.
3. Dévissez l'embout de sonde de la sonde standard et retirez le filtre (ou utilisez un nouveau filtre).
4. Insérez le filtre dans la sonde extra-longue.
5. Vissez l'embout de sonde sur la sonde extra-longue. Ne serrez pas excessivement.

17 Rallonge de la sonde à aiguille

La rallonge de la sonde à aiguille en option permet la détection des fuites dans les espaces restreints et l'isolation. Cette sonde pointue permet de percer facilement l'isolation et d'atteindre des zones étroites.

Pour installer la rallonge de sonde à aiguille :

1. Dévissez l'embout de sonde. Laissez le filtre en place.
2. Insérez le filtre neuf dans l'embout de sonde.
3. Vissez l'embout de sonde. Ne serrez pas excessivement.

18 Capteurs en option

Des capteurs sont proposés en option pour une utilisation dans les applications de détection de CO₂ (Pièce de rechange 724-701-G2) ou de fluide frigorigène inflammable (Pièce de rechange 724-701-G3). Pour l'utilisation du capteur de CO₂ ou du capteur de fluide frigorigène inflammable, déposez le capteur standard et installez le nouveau capteur conformément aux instructions indiquées au chapitre Dépose et installation du capteur [▶ 120]. Le D-TEK Stratus reconnaît automatiquement le type de capteur et le témoin lumineux **MODE** s'éclaire dans la couleur correspondante au type de capteur pendant toute la durée où celui-ci demeure installé. Les couleurs affichées sont : Vert pour le CO₂, Rouge pour le fluide frigorigène inflammable et Orange pour le fluide frigorigène standard.



Si le D-TEK Stratus ne reconnaît pas automatiquement votre capteur de fluide frigorigène inflammable, contactez INFICON pour convenir d'un test logiciel.



Le capteur de fluide frigorigène inflammable ne détecte pas l'hydrogène, y compris le mélange hydrogène-azote.



Pendant la recherche de fuites de CO₂, il est recommandé de porter un appareil respiratoire isolant à circuit fermé ou un masque afin d'éviter l'exhalation de CO₂ sur la sonde.



⚠ AVERTISSEMENT

L'exposition à des concentrations élevées de CO₂ ou de fluides frigorigènes est dangereuse, voire fatale.

L'appareil ne doit pas être utilisé dans un environnement toxique ou dangereux. Ce n'est pas un dispositif de protection individuelle, ni un matériel de sauvetage. Veillez à faire preuve d'une extrême prudence dans des environnements potentiellement toxiques ou dangereux.



⚠ AVERTISSEMENT

Ce produit est non de sécurité intrinsèque (NSI) et ne doit pas être utilisé en présence de vapeurs explosives, de poussières explosives ou d'autres produits chimiques explosifs. Son utilisation dans un environnement avec une

concentration de fluide frigorigène inflammable proche de la limite inférieure d'explosivité (LIE) peut provoquer une explosion ou un incendie entraînant des blessures graves, la mort ou des dégâts matériels.


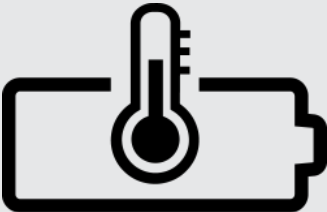
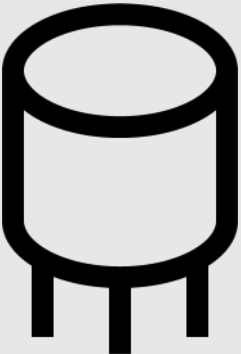
19 Nettoyage et stockage

Le D-TEK Stratus peut-être nettoyé avec un détergent doux ou de l'alcool isopropylique. Des précautions doivent être prises pour empêcher l'introduction de liquide nettoyant dans l'instrument. Ne le nettoyez pas avec de l'essence, de l'acétone ou d'autres solvants agressifs étant donné qu'ils pourraient endommager le plastique ou l'écran.

20 Pièces de rechange et accessoires

mallette de transport de rechange	724-700-G1
écouteurs	721-607-G1
chargeur de voiture 12 V (cc)	721-605-G1
chargeur mural secteur (y compris des fiches pour plusieurs régions)	721-606-G1
batterie lithium-ion	721-702-G1
station de recharge de batterie	721-610-G1
combinaison batterie/station de recharge	721-604-G1
capteur standard (détecte les CFC, HCFC, HFC, HFO et les mélanges (notamment les A2L))	724-701-G1
capteur de CO ₂	724-701-G2
Capteur de fluide frigorigène inflammable (HC)	724-701-G3
cartouches de filtre (quantité : 5)	712-707-G1
capuchon de sonde de rechange	712-705-G1
rallonge de la sonde à aiguille	721-612-G1
sonde extra-longue	721-611-G1
TEK-Check, fuite de test du R134a	703-080-G10

21 Guide de dépannage

Problème	Cause	Solution
Le symbole suivant est affiché : 	Une erreur de batterie s'est produite. Ceci peut être dû à une batterie défectueuse ou à une installation incorrecte de la batterie ou encore à une mauvaise connexion.	Retirez et réinstallez la batterie. Si le problème n'est pas résolu, remplacez la batterie. Voir Dépose et installation de la batterie lithium-ion [▶ 119].
Le symbole suivant est affiché : 	La batterie se situe au-dessus ou en dessous de la plage de température idéale, il se peut donc qu'elle ne se charge pas correctement.	Permettez à la batterie de revenir à sa température normale.
Le symbole suivant est affiché : 	Une erreur de capteur s'est produite. Ceci peut être dû à un capteur défectueux ou à une installation incorrecte du capteur ou encore à une mauvaise connexion.	Retirez et réinstallez le capteur. Si le problème n'est pas résolu, remplacez le capteur. Voir Dépose et installation du capteur [▶ 120].
L'écran ne s'allume pas après avoir appuyé longuement sur le bouton d'alimentation	Le niveau de batterie est très faible.	Chargez la batterie ou branchez l'unité dans un chargeur.
L'unité s'allume mais ne détecte aucun fluide frigorigène.	L'unité n'a pas terminé son préchauffage (une tasse de café est affichée).	Attendez que le préchauffage se termine. Cela peut prendre 45 à 90 secondes.
	Le filtre est obstrué, ce qui restreint la circulation d'air.	Remplacez la cartouche à filtre. Voir Remplacement des filtres [▶ 121].

Problème	Cause	Solution
	La pompe ne marche pas.	Écoutez le son de la pompe. Si la pompe ne fait pas de bruit et que la batterie est correctement chargée, contactez INFICON.
	Le réglage de la sensibilité est trop faible (mode Directionnel uniquement).	Vérifiez le niveau de sensibilité. Pour les petites fuites, il faut utiliser Élevée ou Super.
	Le capteur incorrect est installé.	Vérifiez que le bon capteur est utilisé (capteur de fluide frigorigène ou capteur de CO ₂).
	L'échantillon de référence est contaminé (mode Cloud Hunting).	Laissez le D-TEK Stratus fonctionner dans de l'air propre en mode Cloud Hunting jusqu'à 7 minutes.
L'alarme de l'unité se déclenche dans de l'air propre.	Le port d'échappement est recouvert.	Vérifiez que le port d'échappement n'est pas recouvert.
	Le capteur incorrect est installé.	Vérifiez que le capteur de fluide frigorigène est installé plutôt que le capteur de CO ₂ sensor.
Le ppm tombe à zéro dans une zone dont vous savez qu'elle est contaminée.	Il se pourrait que l'échantillon de référence soit contaminé.	Laissez le D-TEK Stratus fonctionner dans de l'air propre en mode Cloud Hunting jusqu'à 7 minutes.
La pompe ne fait aucun bruit.	La pompe ne marche pas.	Si la batterie est correctement chargée, contactez INFICON.

22 Garantie et limitation de responsabilité

INFICON garantit votre détecteur de fuite de fluide frigorigène D-TEK Stratus comme étant exempt de défauts de matériaux ou de fabrication pendant une période de un ou deux ans (en fonction de la région) à compter de la date d'achat. INFICON ne garantit aucun des éléments se détériorant dans des conditions normales d'utilisation, notamment les batteries, les capteurs ainsi que les filtres. En outre, INFICON ne garantit aucun instrument en cas d'emploi incorrect, de négligence, d'accident, ou de réparation effectuée par un personnel non agréé par INFICON. La responsabilité d'INFICON se limite aux instruments qui lui sont retournés, port payé, au plus tard trente (30) jours après l'expiration de la garantie, et pour lesquels INFICON juge que le fonctionnement a été incorrect pour cause de défaut matériel ou de fabrication. La responsabilité d'INFICON se limite, à son choix, à la réparation ou au remplacement de l'instrument ou de la pièce défectueux(se). La présente garantie remplace toute autre garantie, explicite ou implicite, qu'elle soit de VALEUR COMMERCIALE, d'ADAPTATION À UN OBJECTIF PARTICULIER, ou autre. Tout autre type de garantie est explicitement décliné. La responsabilité d'INFICON ne peut en aucun cas excéder le prix qui a été payé pour l'instrument, auquel s'ajoutent les frais de port payé liés à son renvoi. INFICON ne peut pas être tenu pour responsable en cas de dommages et intérêts. Toutes les responsabilités de ce type sont EXCLUES.

23 Renvoi de l'instrument au titre de la garantie ou pour réparations

Contactez votre revendeur pour une évaluation de la garantie ou pour réparation hors garantie. Ne renvoyez pas l'unité directement à INFICON. Les instruments et les pièces renvoyés à INFICON pour être réparés doivent tous être correctement emballés et assurés, et envoyés en port payé. Un numéro RMA (Return Material Authorization – autorisation de renvoi de matériel) doit également leur être attribué avant leur renvoi. Le numéro RMA doit être inscrit sur toutes les étiquettes et sur tous les documents d'expédition. Veuillez consulter votre distributeur INFICON qui vous apportera toute l'aide nécessaire. En cas de questions, contactez INFICON au 800-344-3304, ou contactez votre revendeur agréé INFICON local.

Indice

1	Dichiarazione di conformità	133
2	Avvertenze e precauzioni	134
3	Specifiche	136
4	D-TEK Stratus	139
5	Cos'è la Cloud Hunting?	141
6	Ricarica della batteria	142
7	Accensione dello strumento e preparazione all'uso	143
8	Disposizione dello schermo e simboli.....	144
9	Utilizzo della modalità Cloud Hunting (monitor portatile).....	146
10	Utilizzo della modalità Localizzazione	148
11	Modalità Manual Zero.....	149
12	Auricolari e controllo del volume.....	150
13	Rimozione e installazione della batteria agli ioni di litio.....	151
14	Rimozione e installazione del sensore	152
15	Sostituzione dei filtri.....	153
16	Sonda extra lunga	154
17	Prolunga della sonda.....	155
18	Sensori opzionali	156
19	Pulizia e conservazione.....	157
20	Ricambi e accessori	158
21	Guida alla risoluzione dei problemi.....	159
22	Garanzia e limitazione della responsabilità	161
23	Restituzione dello strumento in garanzia o per la riparazione.....	162

1 Dichiarazione di conformità



**DICHIARAZIONE
DI
CONFORMITÀ UE**

Si rilascia la presente dichiarazione di prestazione sotto la responsabilità esclusiva del fabbricante INFICON. Lo scopo della dichiarazione è certificare che questa apparecchiatura, progettata e prodotta da:

**INFICON Inc.
Two Technology Place
East Syracuse, NY 13057
STATI UNITI**

è conforme alla pertinente normativa comunitaria di armonizzazione. È stata realizzata conformemente alle direttive comunitarie riguardanti la sicurezza delle macchine e non mette a repentaglio la sicurezza di persone, animali domestici o cose se adeguatamente installata, mantenuta e usata per l'impiego cui è destinata e per cui è stata costruita.

Descrizione dell'apparecchiatura: Il rilevatore di perdite di refrigerante D-TEK Stratus con funzione Monitor Portatile

Numero di modello: 724-20x-Gxx (Applicabile per tutti i numeri del Gruppo)
Direttive applicabili: 2014/35/UE LVD
 2014/30/UE EMC generale
 2011/65/UE come modificata dalla 2015/863/UE RoHS
 2006/66/CEE come modificata dalla Direttiva sulle batterie 2013/56/UE

Standard applicabili:

Sicurezza:	EN 61010-1:2010	Prescrizioni di sicurezza per apparecchi elettrici di misura, controllo e per utilizzo in laboratorio. Prescrizioni generali
	EN 62133:2013	Requisiti di sicurezza per le celle secondarie sigillate portatili e per le batterie da loro realizzate per l'uso nelle applicazioni portatili. CB Test Cert DK-73443-UL
	UL 2054	Standard UL di sicurezza per le batterie domestiche e commerciali Cert 20180518-MH29443
	UL 60950-1 & CAN/CSA-C22.2 No. 60950-1-07	Standard UL di sicurezza per le apparecchiature informatiche – Sicurezza – Parte 1: prescrizioni generali Cert 20180518-MH294
	UN 38.3	Manuale UN dei test e dei criteri, Parte III, Sottosezione 38.3. Trasporto sicuro delle batterie ricaricabili agli ioni di litio
Emissioni:	EN 61326-1:2013	Edizione 2.0 (Emissioni radiate, condotte e armoniche) (EMC - Apparecchi elettrici di misura, controllo e per utilizzo in laboratorio)
	CISPR 11/EN 55011:2009	(+A1:2010) Norme sulle emissioni per apparecchiature a radiofrequenza industriali, scientifiche e medicali (ISM), Classe A
Immunità:	EN 61326-1:2013	Edizione 2.0 (EMC - Apparecchiature di misurazione, di controllo e di laboratorio) Immunità secondo Tabella A.1 - Apparecchi portatili di misura e verifica

RoHS Conforme

Data di implementazione CE: 7 maggio 2019

Rappresentante autorizzato:

Brian King
 INFICON
 General Manager - Strumenti assistenza
 Two Technology Place
 East Syracuse, NY USA 13057

Rappresentante autorizzato per l'UE

INFICON GmbH
 50968 Köln, Bonner Str. 498

EVENTUALI QUESITI RELATIVI ALLA PRESENTE DICHIARAZIONE O ALLA SICUREZZA DEI PRODOTTI INFICON VANNO INVIATI PER ISCRITTO AL RAPPRESENTANTE AUTORIZZATO PRESSO L'INDIRIZZO SOPRA INDICATO.

2 Avvertenze e precauzioni

Avvertenze:

- Usare esclusivamente un caricatore/cavo certificato con una potenza pari a 5 V (cc) $\pm 5\%$, 1 A $\pm 5\%$.
- Tenere il dispositivo lontano da temperature estremamente alte o basse.
- Non esporre la batteria ai liquidi.
- Non usare il dispositivo se si notano danni alla batteria.
- Non smontare né modificare la batteria.
- Maneggiare e smaltire la batteria secondo le normative locali.
- Se l'operazione di ricarica non viene completata, anche se il tempo di ricarica specifico è trascorso, interrompere immediatamente la ricarica.
- Non lasciare la batteria incustodita durante la ricarica.
- Scollegare il caricatore quando la batteria è completamente carica.
- L'uso o lo smaltimento scorretto delle batterie agli ioni di litio può causare incendi.
- Questo strumento non è concepito per essere usato in ambienti infiammabili.
- Ambienti ad alta RF possono causare un falso allarme.



ATTENZIONE

Questo simbolo richiama l'attenzione dell'utente sulla presenza di importanti istruzioni per il funzionamento e la manutenzione all'interno della documentazione allegata.



ATTENZIONE

L'esposizione ad alte concentrazioni di CO₂ o di refrigeranti è pericolosa e può essere potenzialmente mortale.

Lo strumento non è destinato all'uso in ambienti tossici o pericolosi. Non è uno strumento di protezione individuale o salvavita. Prestare sempre la massima attenzione negli ambienti potenzialmente tossici o pericolosi.



ATTENZIONE

Questo prodotto non è intrinsecamente sicuro e non deve essere utilizzato in presenza di fumi esplosivi, polvere esplosiva o altri prodotti chimici esplosivi. L'uso in un ambiente con concentrazione di refrigerante infiammabile che si

avvicina al LEL (Lower Explosive Limit, in italiano limite inferiore di esplosività) potrebbe provocare un'esplosione o un incendio con conseguenti lesioni gravi, morte o danni materiali.

3 Specifiche

Utilizzo	interno/esterno
Tipo di sensore	infrarosso
Refrigeranti compatibili	tutti i CFC, HCFC, HFC, HFO, miscele (inclusi A2L), e CO ₂ ¹
Sensibilità minima (modalità Localizzazione, sensibilità Super)	1 g/anno (0,03 once/anno) ²
Risoluzione del display (modalità Cloud Hunting)	1 ppm
Intervallo di visualizzazione (modalità Cloud Hunting)	da 0 a 9999 ppm
Precisione (modalità Cloud Hunting, con riferimento aria pulita, R134a)	±1 ppm ±10% della lettura
Tipo di batteria	ioni di litio
Tipo di carica in ingresso	micro USB
Tipo di carica (inizio allo 0%)	circa 3 ore
Durata della batteria	circa 8 ore (individuazione nuvola) circa 10 ore (indicazione esatta)
Tensione di ingresso	5 V (cc) ±5%
Corrente di ingresso	1 A ±5%
Periodo di riscaldamento	45-90 sec
Intervalli di temperatura e umidità	
• Conservazione	-20-60°C (-4-140°F)
• Funzionamento ³	-20-50°C (-4-122°F)
• Carica	0-45°C (32-113°F)
• Umidità	95% RH NC massimo
Altitudine	2000 m (6500 piedi)
Grado di inquinamento	2
Categoria di sovratensione	2
Peso (con batteria; custodia o accessori non inclusi)	0,50 kg (1,10 libbre)

¹ Il rilevamento di CO₂ richiede un sensore CO₂ facoltativo.

² Per ottenere prestazioni ottimali e le sensibilità specificate, si consiglia di lasciar operar Strato D-TEK per 15 minuti prima dell'uso.

³ L'uso con temperature inferiori a 0°C (32°F) deve essere limitato. Si consiglia un tempo di riscaldamento prolungato prima dell'uso in ambienti con temperature ridotte.

Tabella delle specifiche ai sensi di EN 14624

	R134a	R1234yf
Sensibilità minima, fissa (statica)	1 g/anno	0,5 g/anno
Sensibilità massima, fissa (statica) ⁴	>50 g/anno	>50 g/anno
Sensibilità minima, in movimento (dinamica)	1 g/anno	1 g/anno
Sensibilità minima, in movimento (dinamica) ⁴	>50 g/anno	>50 g/anno
Tempo di risposta/rilevamento minimo	<1 s	<1 s
Tempo di azzeramento	1-4 s	1-4 s
Tempo di recupero per esposizione 50 g/anno ⁵	7,6 s	6,4 s
Sensibilità minima in ambiente contaminato	>2 g/anno	1 g/anno
Frequenza di calibrazione	Verificare ogni anno in base allo standard sulla perdita calibrata	

⁴ Il limite superiore di rilevamento delle perdite non è specificato da INFICON poiché non esiste un limite superiore della dimensione della perdita che il rilevatore è in grado di rilevare.

⁵ Poiché durante il test non è stato disponibile uno standard di perdita pari a 50 g/anno, questo è stato sostituito con uno standard di perdita pari a 32 g/anno.

Applicazioni SAE

Gli standard SAE J2791 (R-134a) e J2913 (R-1234yf) specificano la sensibilità alle seguenti dimensioni di perdita per le impostazioni corrispondenti indicate di seguito. La sensibilità Super è più sensibile rispetto a quanto richiesto dalla SAE per la verifica della presenza di perdite in un ambiente pulito (privo di refrigeranti di fondo). Se si verifica la presenza di perdite in un ambiente contaminato (refrigerante di fondo elevato), passare alla sensibilità Super.

Tasso di perdita R-134a (g/anno)	Tasso di perdita R-1234yf (g/anno)	Impostazione di sensibilità
14	14	bassa
7	7	media
4	4	alta

La seguente tabella indica alcune sostanze chimiche comuni del vano motore e segnala se queste causeranno o meno una falsa attivazione del Strato D-TEK.

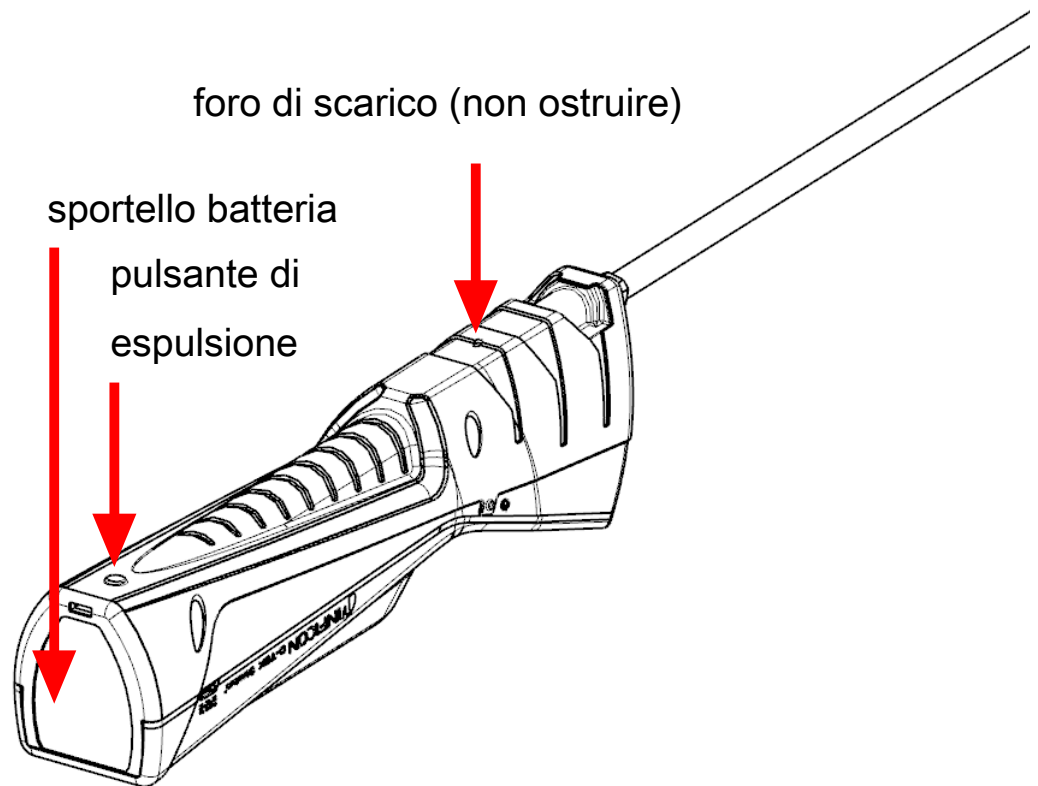
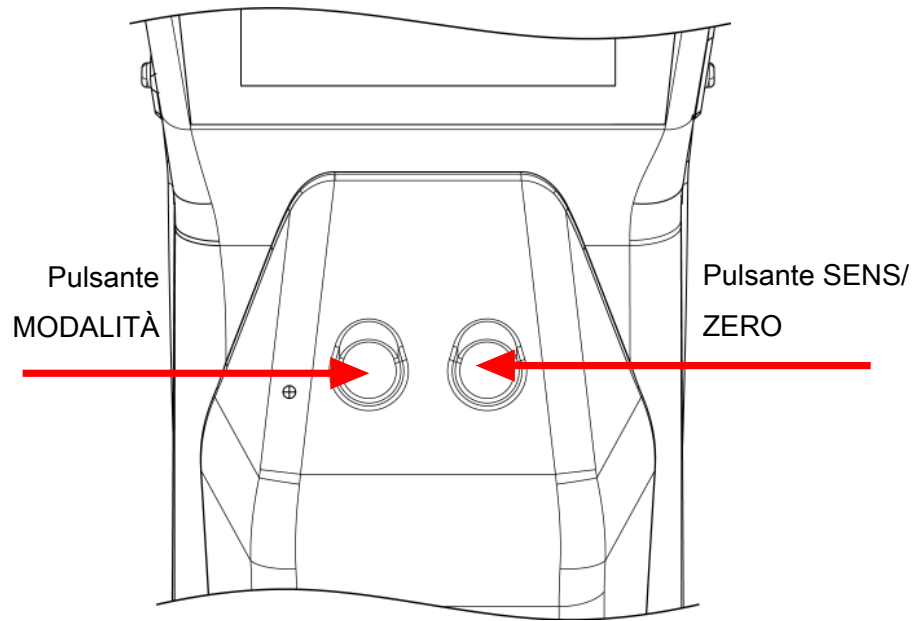
Eeguire la prova di tenuta con il motore spento.

Sostanza chimica	Falsa attivazione
solvente per parabrezza (base di metanolo)	sì
smacchiatore Ford™	sì
antiruggine penetrante e inibitore Ford	sì
adesivo per bordi e guarnizioni Ford	sì
sgrassatore e detergente Natural Blue Permatex™	sì
detergente per componenti dei freni Ford	sì
detergente spray per messa a punto carburatore Ford	sì
gomma siliconica trasparente Ford	sì
antigelo/refrigerante G-05 Motorcraft™	no
Gunk™ Liquid Wrench	no
lozione detergente per mani/pietra pomice Ford	no
olio freni Ford Motorcraft DOT3	no
lubrificante siliconico Ford	no
fluido per trasmissioni automatiche Dexron™	no
olio motore minerale	no

Brevetti (in attesa)

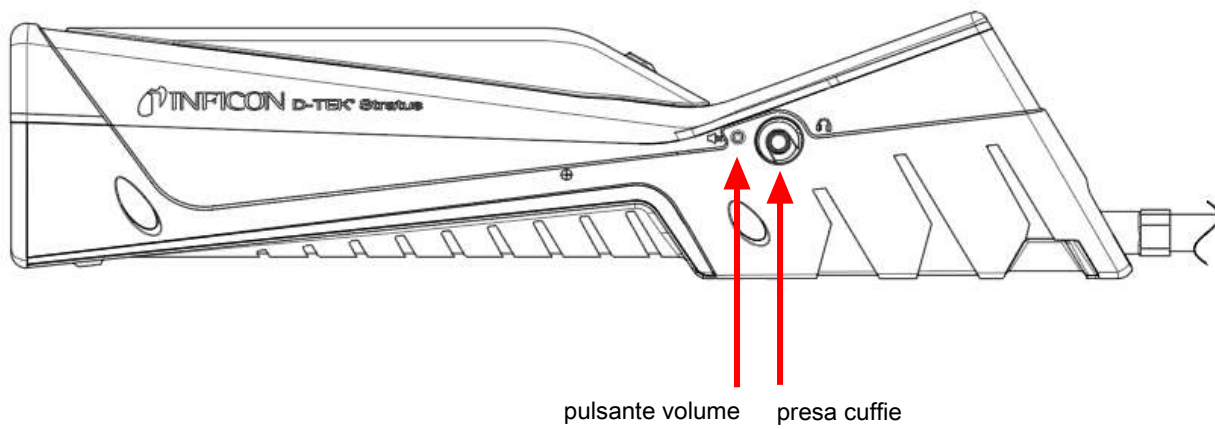
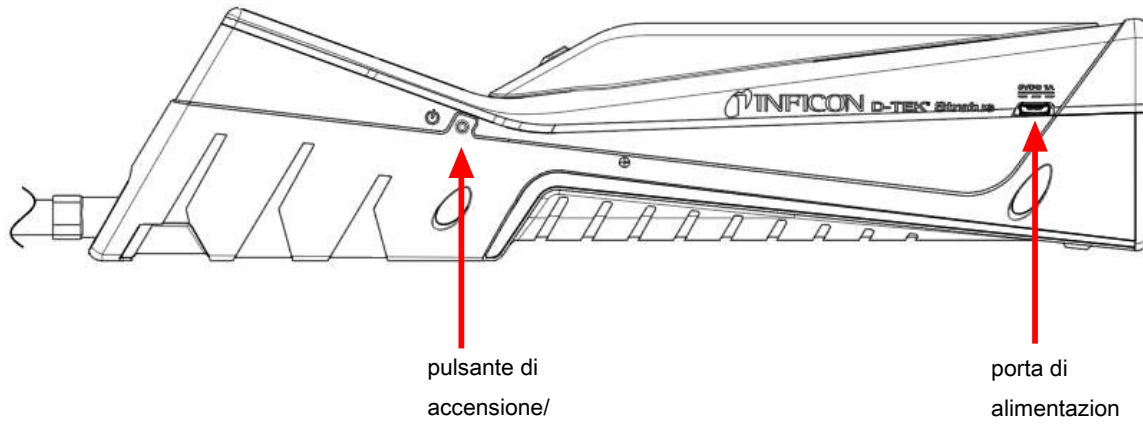
- Richiesta n. 10 2018 206 877.1
- Richiesta n. 18171080.7
- Richiesta n. 10 2018 208 826.8

4 D-TEK Stratus



Italiano

Italiano



Italiano

Italiano

5 Cos'è la Cloud Hunting?

In caso di perdite di refrigerante da un sistema, questo non si disperde uniformemente nell'aria. La concentrazione di refrigerante in genere è più elevata vicino all'origine della perdita. La densità dei refrigeranti è inoltre diversa da quella dell'aria, quindi tende a formare delle "nubi" nell'aria, in genere più vicino al pavimento. Queste nubi sono incolori e inodori per la maggior parte dei refrigeranti. Quando si controlla la presenza di perdite con un rilevatore di perdite tradizionale, probabilmente esso emetterà un segnale acustico quando incontrerà una nube di refrigerante. Ciò non aiuta a individuare la perdita, poiché la nube potrebbe non trovarsi vicino all'origine della perdita.

D-TEK Stratus impiega una tecnologia in attesa di brevetto per mostrare la concentrazione di refrigerante nell'aria in parti per milione (ppm). Ciò consente di leggere il display e di seguire il numero per trovare le aree di maggiore concentrazione che vi condurranno direttamente all'origine della perdita.

6 Ricarica della batteria

D-TEK Stratus utilizza una batteria ricaricabile agli ioni di litio che viene fornita parzialmente carica. INFICON consiglia di caricare la batteria prima dell'uso. Usando il caricatore o la base di ricarica forniti, una batteria scarica può essere ricaricata all'80% in circa 2 ore e al 100% in circa 3 ore. In genere una carica completa dura circa per 8-10 ore di funzionamento, a seconda della modalità impiegata e della temperatura di esercizio. Un indicatore sullo schermo mostra la percentuale di batteria residua.



D-TEK Stratus può essere usato durante la carica.

7 Accensione dello strumento e preparazione all'uso



Se lo schermo non si accende, la batteria è scarica e deve essere caricata. D-TEK Stratus può essere usato durante la carica.

1. Premere a lungo il pulsante di accensione (situato sul lato sinistro del corpo dello strumento) per Accendere o Spegnerlo D-TEK Stratus.
 - ⇒ D-TEK Stratus inizierà a riscaldarsi per un periodo di tempo variabile compreso tra 45 e 90 secondi. Quando il riscaldamento è completo, D-TEK Stratus è pronto per l'uso.
2. Per cambiare modalità, premere il pulsante MODALITÀ. Quest'operazione permette di alternare tra le modalità Cloud Hunting, Localizzazione e Manual Zero.



D-TEK Stratus si accende sempre nell'ultima modalità utilizzata.



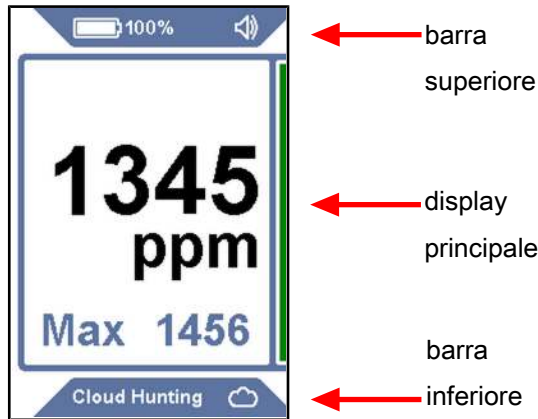
ATTENZIONE

Non bloccare il foro di scarico.

Bloccando l'aria di scarico si rischia di causare falsi allarmi o letture.

8 Disposizione dello schermo e simboli

D-TEK Stratus utilizza lo schermo del display per tutti gli indicatori e le informazioni. Il display è costituito da una barra superiore, da un display principale e da una barra inferiore.




Barra superiore: La barra superiore include il simbolo della batteria, la percentuale, l'indicatore del sensore (quando viene utilizzato un tipo di sensore non standard) e l'indicatore del suono.

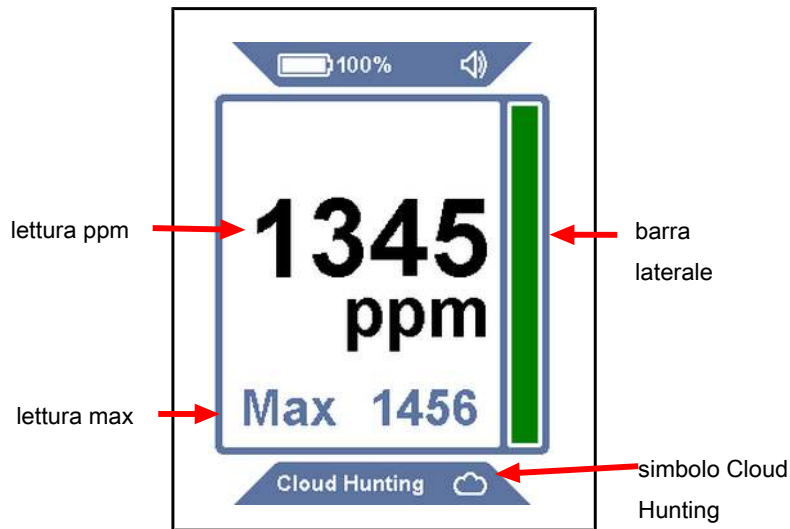
Simbolo	Descrizione
	la carica della batteria è al 75-100%
	la carica della batteria è al 50-74%
	la carica della batteria è al 30-49%
	la carica della batteria è al 10-29%
	la carica della batteria è <10%
	la batteria sta caricando
	il volume è impostato su 100% (predefinito)
	il volume è impostato su 50%
	il volume è disattivato
CO2	Il sensore CO ₂ è installato

Display principale: Il display principale mostra le informazioni necessarie per la verifica della presenza di perdite. Il display principale include la lettura ppm per la modalità Cloud Hunting e gli indicatori delle perdite per le modalità Localizzazione e Manual Zero.

Barra inferiore: La barra inferiore mostra la modalità corrente e il simbolo dell'indicatore della modalità. Inoltre, include la sensibilità della modalità Localizzazione.

Simbolo	Descrizione
	indica la modalità Cloud Hunting
	indica la modalità Localizzazione
	indica la modalità Manual Zero
	sensibilità = Super (Super) (visualizzata solo nella modalità Localizzazione)
	sensibilità = Alta (High) (visualizzata solo nella modalità Localizzazione)
	sensibilità = Media (Medium) (visualizzata solo nella modalità Localizzazione)
	sensibilità = Bassa (Low) (visualizzata solo nella modalità Localizzazione)

9 Utilizzo della modalità Cloud Hunting (monitor portatile)



La modalità Cloud Hunting viene identificata mediante una lettura ppm elevata sul display e dalle parole Ricerca delle nubi sul fondo, insieme al simbolo di una nuvola. La barra laterale aumenta e si riduce con le variazioni della lettura ppm.



Non vi è alcuna impostazione di sensibilità nella modalità Cloud Hunting.

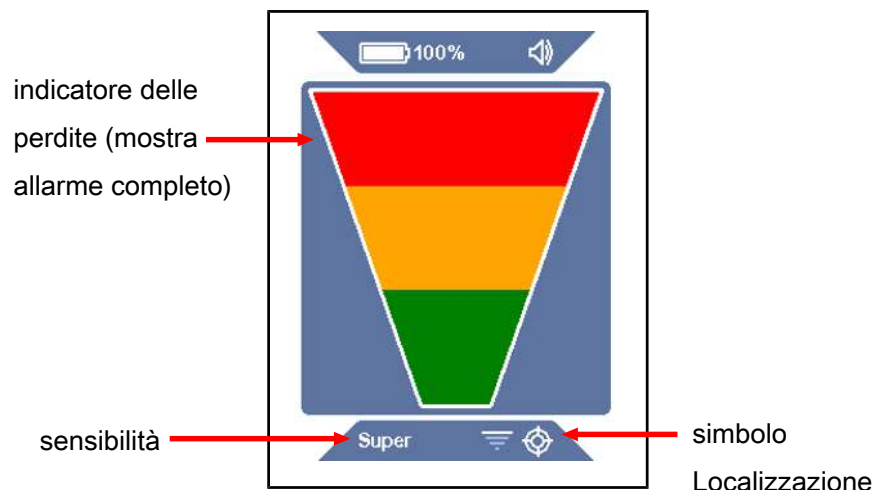
1. Attraversare lentamente le aree sospette e osservare la lettura ppm.
2. Seguire la lettura ppm per trovare le aree con una concentrazione di refrigerante più elevata. Più elevato è il numero, più alta è la concentrazione.
3. Premere il pulsante **SENS/ZERO** per abilitare e disabilitare la funzione **MAX**. Quando abilitata, il livello ppm più alto osservato è mostrato sotto il display ppm principale. Per ripristinare la lettura **MAX**, premere a lungo il pulsante **SENS/ZERO** o spostare la funzione su off e poi di nuovo su on.



D-TEK Stratus utilizza una valvola di commutazione in attesa di brevetto nella modalità Cloud Hunting per confrontare costantemente il campione della punta della sonda con l'aria all'interno del corpo del rilevatore di perdite (il campione di riferimento). Questa tecnologia permette a D-TEK Stratus di funzionare senza l'uso del filtro a carbone. Restare per diversi minuti in un'area con un'elevata

concentrazione di refrigerante potrebbe comportare la contaminazione con refrigerante del campione di riferimento, che causerebbe il ripristino della lettura a zero. Se ciò accade, spostarsi in un'area con aria pulita (in modalità Cloud Hunting) per qualche minuto per consentire al campione di riferimento di tornare pulito.

10 Utilizzo della modalità Localizzazione



La modalità Localizzazione viene identificata mediante un grande indicatore delle perdite sul display e dal simbolo Localizzazione nella barra inferiore. La sensibilità corrente è anche indicata nella barra inferiore. Questa modalità funziona come un rilevatore standard di perdite con azzeramento automatico, dove le barre indicatrici si illuminano per indicare il rilevamento di una perdita.

1. Posizionare la punta del D-TEK Stratus il più vicino possibile al punto in cui si sospetta la perdita (non bloccare il flusso dell'aria).
2. Passare lentamente la sonda fino a superare la possibile sorgente della perdita.
 - ⇒ Se viene rilevata una perdita, il D-TEK Stratus emette un suono acustico e gli indicatori sullo schermo lampeggiano.
3. Quando viene identificata una perdita, allontanare la sonda per alcuni secondi e poi ricontrollare il punto per verificare la presenza della perdita.

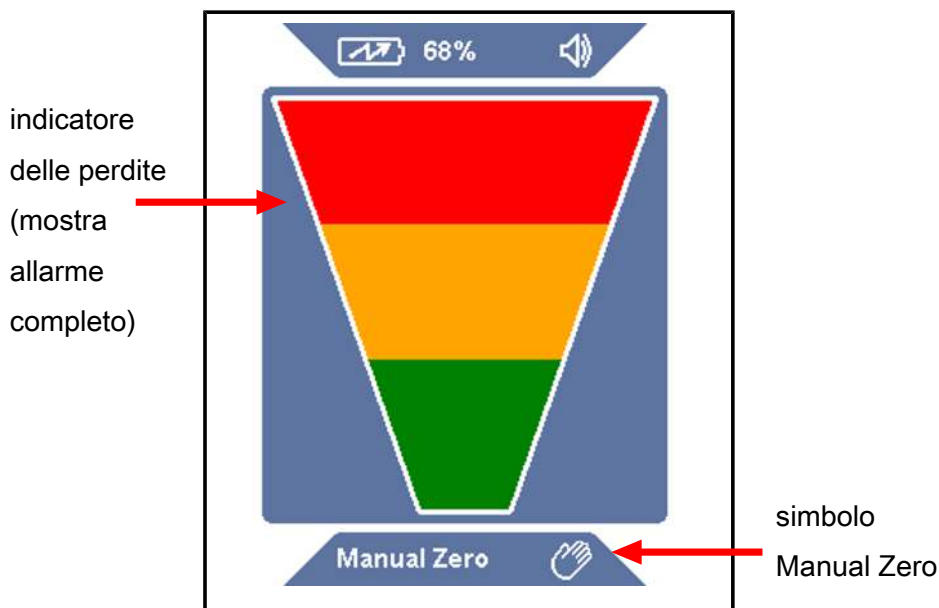


Nella modalità Localizzazione, il D-TEK Stratus si azzer automaticamente al refrigerante di fondo ed emette un suono acustico solo con una concentrazione di refrigerante più elevata. Quando ciò si verifica, continuare a cercare una concentrazione più alta di refrigerante oppure spostare la sonda in un'area con concentrazione ridotta per qualche secondo per tornare al punto zero.



Premere il pulsante **SENS/ZERO** per cambiare l'impostazione della sensibilità. Quando si lavora con una perdita importante, può essere più semplice localizzare la posizione della perdita utilizzando un'impostazione della sensibilità inferiore. La sensibilità corrente è anche indicata nella barra inferiore.

11 Modalità Manual Zero



La modalità Manual Zero appare e opera in maniera analoga alla modalità Localizzazione, ma viene identificata mediante il testo Manual Zero e il simbolo Manual Zero nella barra inferiore. La modalità Manual Zero consente all'utente di azzerare manualmente al refrigerante di fondo premendo il pulsante **SENS/ZERO**. Quando si imposta il nuovo punto zero, D-TEK Stratus non emetterà un segnale acustico salvo in caso di rilevamento di una concentrazione di refrigerante maggiore. La modalità Manual Zero emette un segnale acustico al punto zero più rapido rispetto alle altre modalità. Se la concentrazione risulta ridotta rispetto al punto zero corrente, il segnale acustico rallenta. Ciò permette all'utente di sapere se si sta allontanando dalla perdita grazie alla variazione della velocità del segnale acustico.



Non vi è alcuna impostazione di sensibilità nella Manual Zeromanuale.



La modalità Manual Zero richiede un tempo supplementare di riscaldamento fino a 15 minuti per ottenere prestazioni ottimali.

12 Auricolari e controllo del volume

Un'uscita per le cuffie è disponibile sul lato destro di D-TEK Stratus per ascoltare gli allarmi acustici tramite cuffie o auricolari.



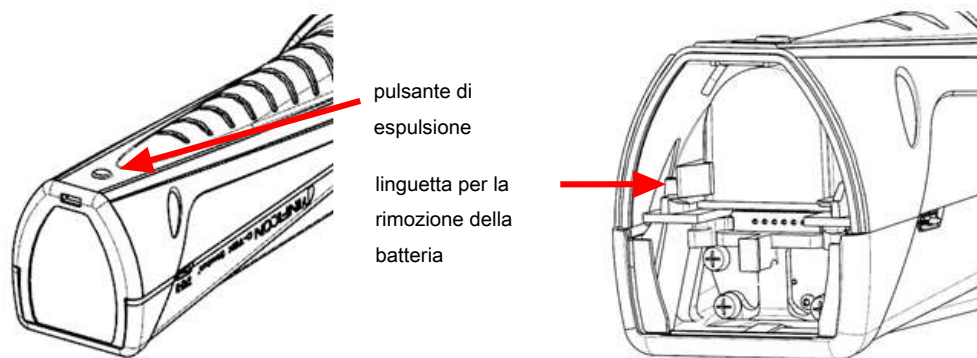
ATTENZIONE

Se si tenta di utilizzare cuffie non fornite da INFICON, testarle attentamente per evitare danni all'udito.

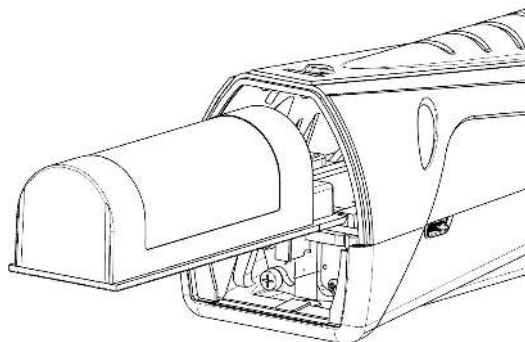
Un pulsante del volume è posizionato accanto alla presa delle cuffie. Premere il pulsante del volume per passare dal volume 100%, al volume 50% e alla disattivazione del volume. All'avvio il volume è impostato in maniera predefinita sul 100%. Quando le cuffie o gli auricolari sono inseriti, il volume commuta tra il 100% del volume e lo stato di muto.

13 Rimozione e installazione della batteria agli ioni di litio

1. Premere il pulsante di espulsione sul retro del D-TEK Stratus e rimuovere lo sportello della batteria.



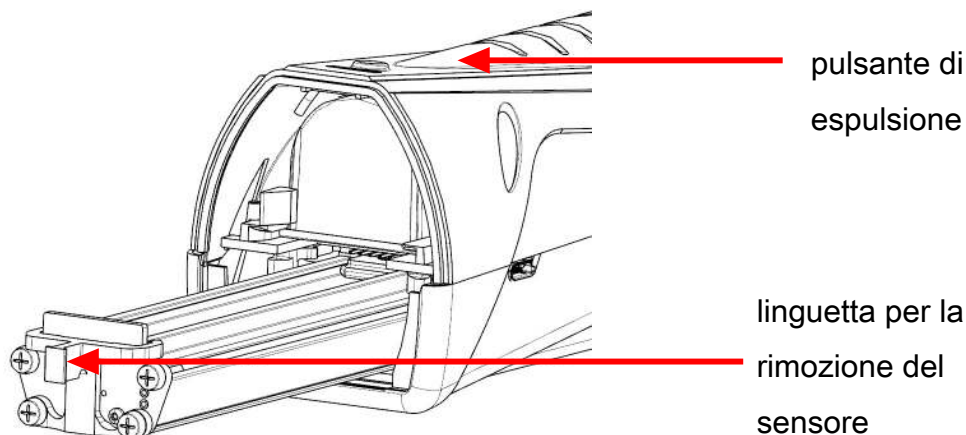
2. Rimuovere la batteria spostando la linguetta di rilascio della batteria sul lato finché la batteria non inizia a uscire. Far scorrere la batteria.
3. Allineare la batteria alle guide.



4. Spingere delicatamente la batteria lungo le guide finché la linguetta di rilascio della batteria non si aggancia.
 - ⇒ Non forzare la batteria. Se la batteria non scorre liberamente, verificare il corretto allineamento e riprovare.
5. Reinstallare lo sportello del vano batterie.

14 Rimozione e installazione del sensore

Il D-TEK Stratus utilizza un sensore a cartuccia che si può rimuovere e sostituire rapidamente e facilmente sul campo. Oltre al sensore standard, INFICON offre un sensore CO₂ specifico per l'uso nelle applicazioni di climatizzazione e refrigerazione. Si veda Ricambi e accessori [▶ 158].

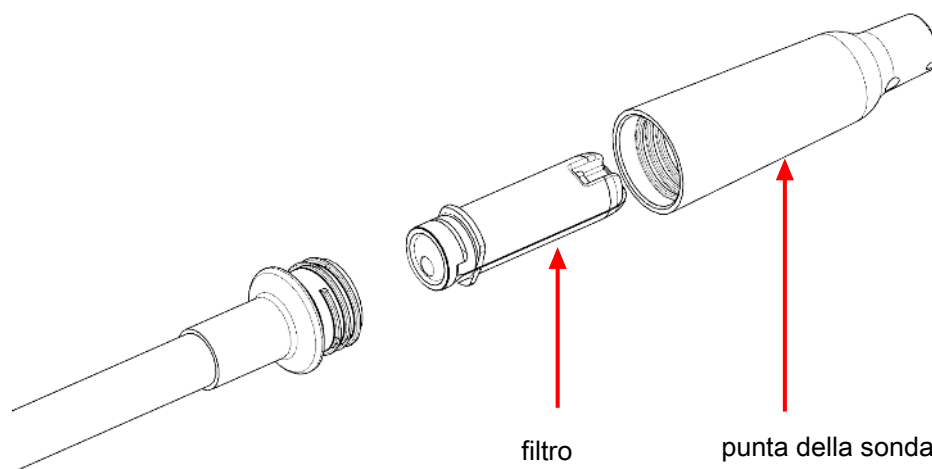


Per sostituire il sensore:

1. Premere il pulsante di espulsione sul retro del D-TEK Stratus e rimuovere lo sportello della batteria.
2. Afferrare la linguetta per la rimozione del sensore ed estrarlo delicatamente.
3. Allineare il nuovo sensore alle guide.
4. Spingere delicatamente il sensore lungo le guide finché non risulta completamente inserito.
⇒ Non forzare il sensore. Se non scorre liberamente, verificare il corretto allineamento e riprovare.
5. Reinstallare lo sportello del vano batterie.

15 Sostituzione dei filtri

Il D-TEK Stratus utilizza una cartuccia filtro di tipo idrofobico che consente il passaggio di aria e refrigeranti filtrando acqua, sporcizia e olio. Esaminare il panno bianco per determinare se il filtro richiede la sostituzione. Se il panno risulta scolorito, installare un nuovo filtro. La sostituzione del filtro è anche un semplice passaggio per la risoluzione dei problemi se si sospetta che il rilevatore di perdite non rilevi correttamente i refrigeranti. Un filtro dell'aria ostruito può limitare il flusso dell'aria del campione.



L'esposizione del filtro ad acqua o olio può bloccare il flusso d'aria. Se ciò accade, rimuovere il filtro con la sonda rivolta verso il basso per evitare di far entrare i contaminanti nella sonda e installare un nuovo filtro. Se il filtro è bagnato, può essere riutilizzato una volta asciutto.



PRUDENZA

Mai usare lo strumento senza filtro e copri filtro sulla punta della sonda.

Per sostituire il filtro:

1. Svitare la punta della sonda e rimuovere il filtro.
2. Inserire il nuovo filtro nella sonda.
3. Avvitare la punta della sonda. Non serrare eccessivamente.

16 Sonda extra lunga

Il D-TEK Stratus include una sonda sostitutiva extra lunga per la verifica della presenza di perdite in aree difficili da raggiungere.

Per installare la sonda extra lunga:

1. Svitare la sonda standard dal corpo del D-TEK Stratus usando una chiave da 10 mm.
2. Avvitare la sonda extra lunga a circa 35 pollici·libbre (4 N·m). Non serrare eccessivamente.
3. Svitare la punta della sonda dalla sonda standard e rimuovere il filtro (oppure utilizzarne uno nuovo).
4. Inserire il filtro nella sonda extra lunga.
5. Avvitare la punta della sonda alla sonda extra lunga. Non serrare eccessivamente.

17 Prolunga della sonda

La prolunga della sonda opzionale consente la verifica della presenza di perdite in spazi ristretti e con isolamento. Questa sonda viene direzionata per forare con facilità l'isolamento e adattarsi a spazi ristretti.

Per installare la prolunga della sonda:

1. Svitare la punta della sonda. Lasciare il filtro in posizione.
2. Inserire il nuovo filtro nella punta della sonda.
3. Avvitare la punta della sonda. Non serrare eccessivamente.

18 Sensori opzionali

I sensori opzionali sono disponibili per l'uso nelle applicazioni con CO₂ (PN 724-701-G2) o con refrigerante infiammabile (PN 724-701-G3). Per utilizzare il sensore di CO₂ o di refrigerante infiammabile, rimuovere il sensore standard e installare il nuovo sensore seguendo le istruzioni riportate in Rimozione e installazione del sensore [► 152]. Strato D-TEK riconosce automaticamente il tipo di sensore e l'indicatore **MODE** (Modalità) si illumina del colore appropriato ad indicare il tipo di sensore e il tempo totale dall'installazione del sensore. Il colore verde indica la CO₂, il colore rosso indica il refrigerante infiammabile e il colore arancione indica che il sensore del refrigerante standard è installato.



Se Strato D-TEK non riconosce automaticamente il sensore di refrigerante dell'utente, contattare INFICON per predisporre un test software.



Il sensore del refrigerante infiammabile non rileva l'idrogeno, incluso il forming gas con idrogeno.



Durante la ricerca di perdite di CO₂, si raccomanda di indossare un respiratore o una maschera onde evitare di espirare CO₂ verso la sonda.



⚠ ATTENZIONE

L'esposizione ad alte concentrazioni di CO₂ o di refrigeranti è pericolosa e può essere potenzialmente mortale.

Lo strumento non è destinato all'uso in ambienti tossici o pericolosi. Non è uno strumento di protezione individuale o salvavita. Prestare sempre la massima attenzione negli ambienti potenzialmente tossici o pericolosi.



⚠ ATTENZIONE

Questo prodotto non è intrinsecamente sicuro e non deve essere utilizzato in presenza di fumi esplosivi, polvere esplosiva o altri prodotti chimici esplosivi. L'uso in un ambiente con concentrazione di refrigerante infiammabile che si avvicina al LEL (Lower Explosive Limit, in italiano limite inferiore di esplosività) potrebbe provocare un'esplosione o un incendio con conseguenti lesioni gravi, morte o danni materiali.

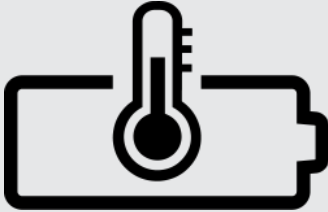
19 Pulizia e conservazione

Il D-TEK Stratus può essere pulito con detergente delicato o alcool isopropilico. Fare attenzione affinché il detergente non penetri nello strumento. Non pulire con benzina, acetone o altri solventi aggressivi poiché potrebbero danneggiare la plastica o il display.

20 Ricambi e accessori

custodia di trasporto di ricambio	724-700-G1
auricolari	721-607-G1
caricatore da auto 12 V (cc)	721-605-G1
caricatore da parete CA (incluse prese per diverse regioni)	721-606-G1
batteria agli ioni di litio	721-702-G1
base di ricarica per batteria	721-610-G1
combinazione batteria/base di ricarica	721-604-G1
sensore standard (rileva CFC, HCFC, HFC, HFO e miscele (tra cui A2L))	724-701-G1
sensore CO ₂	724-701-G2
Sensore di refrigerante infiammabile (HC)	724-701-G3
cartucce del filtro (quantità 5)	712-707-G1
copri sonda di ricambio	712-705-G1
prolunga della sonda	721-612-G1
sonda extra lunga	721-611-G1
prova di tenuta TEK-Check R134a	703-080-G10

21 Guida alla risoluzione dei problemi

Problema	Causa	Soluzione
Viene mostrato il seguente simbolo: 	Si è verificato un errore della batteria. Può essere causato da una batteria guasta o da una batteria installata o collegata in modo errato.	Rimuovere e reinstallare la batteria. Se il problema non viene risolto, sostituire la batteria. Si veda Rimozione e installazione della batteria agli ioni di litio [▶ 151].
Viene mostrato il seguente simbolo: 	La batteria è sopra o sotto l'intervallo di temperatura ideale e potrebbe non caricarsi correttamente.	Lasciare che la batteria torni alla temperatura normale.
Viene mostrato il seguente simbolo: 	Si è verificato un errore del sensore. Può essere causato da un sensore guasto o da un sensore installato o collegato in modo errato.	Rimuovere e reinstallare il sensore. Se il problema non viene risolto, sostituire il sensore. Si veda Rimozione e installazione del sensore [▶ 152].
Il display non si accende dopo aver premuto a lungo il pulsante di accensione.	La batteria è quasi scarica.	Caricare la batteria o collegare l'unità a un caricatore.
L'unità si accende ma non rileva il refrigerante.	L'unità non ha completato il riscaldamento (viene visualizzata una tazza di caffè).	Attendere la fine del riscaldamento. Ci vorranno 45-90 secondi.
	Il filtro è ostruito e limita il flusso d'aria.	Sostituire la cartuccia del filtro. Si veda Sostituzione dei filtri [▶ 153].

Problema	Causa	Soluzione
	La pompa ha registrato un errore.	Ascoltare il suono della pompa. Se la pompa non emette suoni e la batteria è carica, contattare INFICON.
	La sensibilità è impostata su un valore troppo basso (solo modalità Localizzazione).	Verificare il livello di sensibilità. Per perdite molto piccole, usare Alta o Super.
	È stato installato il sensore sbagliato.	Verificare che il sensore corretto sia utilizzato (sensore refrigerante o sensore CO ₂).
	Il campione di riferimento è contaminato (modalità Cloud Hunting).	Lasciare che D-TEK Stratus funzioni all'aria pulita in modalità Cloud Hunting fino a cinque minuti.
L'unità emette un suono acustico quando si trova nell'aria pulita.	Il foro di scarico è coperto.	Verificare che il foro di scarico non sia coperto.
	È stato installato il sensore sbagliato.	Verificare che il sensore del refrigerante sia installato al posto del sensore CO ₂ .
Il valore ppm scende a zero in un'area che si sa essere contaminata.	Il campione di riferimento potrebbe essere contaminato.	Lasciare che D-TEK Stratus funzioni all'aria pulita in modalità Cloud Hunting fino a cinque minuti.
La pompa non emette suoni.	La pompa ha registrato un errore.	Se la batteria è stata correttamente caricata, contattare INFICON.

22 Garanzia e limitazione della responsabilità

INFICON garantisce il rilevatore di perdite di refrigerante D-TEK Stratus e il monitor portatile contro tutti i difetti di materiali e lavorazione per uno o due anni (a seconda della regione) a partire dalla data di acquisto. INFICON non garantisce le parti soggette a normale usura, ovvero le batterie, i sensori e i filtri. Inoltre, la garanzia della INFICON non si applica agli strumenti usati in modo improprio o negligente, che hanno subito incidenti, o che sono stati riparati o modificati da terzi. La responsabilità di INFICON è limitata agli strumenti ad essa resi, porto franco, entro e non oltre 30 (trenta) giorni dalla scadenza della garanzia e in cui INFICON stessa, a proprio esclusivo giudizio, abbia rilevato difetti di materiali o lavorazione. INFICON assume il solo obbligo di riparare o sostituire, a propria scelta, lo strumento o la parte difettosa. Questa garanzia sostituisce qualsiasi altra garanzia, implicita o esplicita, riguardante COMMERCIALIZZABILITÀ o IDONEITÀ AD UN PARTICOLARE SCOPO o altro. Qualsiasi altra garanzia è qui esplicitamente disconosciuta. La responsabilità di INFICON è limitata al prezzo di acquisto pagato dall'acquirente per lo strumento più le spese di resa in porto franco. INFICON non sarà tenuta al risarcimento di alcun danno particolare, indiretto o consequenziale. Tutte queste responsabilità sono ESCLUSE.

23 Restituzione dello strumento in garanzia o per la riparazione

Contattare il grossista per la valutazione della garanzia o per una riparazione fuori garanzia. Non restituire l'unità direttamente a INFICON. Tutti gli strumenti e le parti resi alla INFICON per la riparazione o per ottenere un rimborso vanno accuratamente imballati, assicurati e spediti porto franco previo ricevimento del numero di autorizzazione RMA. Il numero RMA va riportato su tutte le etichette di spedizione e le lettere di vettura. Per assistenza con queste operazioni rivolgersi al proprio distributore INFICON. In caso di domande, contattare INFICON al numero 800-344-3304 oppure contattare l'ufficio vendite INFICON locale.

目录

1 符合性声明.....	164
2 注意事项和警告	165
3 技术规格	166
4 D-TEK Stratus	168
5 什么是 Cloud Hunting ?	170
6 给电池充电.....	171
7 打开仪器，以备使用	172
8 屏幕布局和标识	173
9 使用 Cloud Hunting (便携式监视器) 模式.....	175
10 使用精确定位模式.....	176
11 Manual Zero 模式	177
12 耳塞和音量控制	178
13 移除并安装锂离子电池.....	179
14 移除并安装传感器.....	180
15 更换过滤器.....	181
16 超长探针	182
17 针形探针扩展附件.....	183
18 可选传感器.....	184
19 清洁和存储.....	185
20 更换零件和附件	186
21 故障排除指南	187
22 保修和责任限制	188
23 返回仪器进行保修或维修	189

1 符合性声明



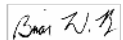
欧盟符合
性
声明

此声明是以制造商 INFICON 为唯一责任人发布的。此声明旨在证明此设备由下列厂商设计及制造：

INFICON Inc.
Two Technology Place
East Syracuse, NY 13057
USA

符合相关的共同体协调立法的要求。设备结构符合共同体范围内现行安全方面的良好工程设计实践，在其预定应用范围内正确安装、维护、使用的情况下，不会危及人员、家畜或财产安全。

设备描述:	D-TEK Stratus 冷媒检漏仪和便携式监视器	
型号:	724-20x-Gxx	(适用于所有组编号)
适用指令:	2014/35/EU 2014/30/EU 2011/65/EU 2006/66/EC	LVD 通用 EMC 修订为 2015/863/EU RoHS 修订为 2013/56/EU 电池指令
适用标准:	<p>安全性:</p> <p>EN 61010-1:2010 测量、控制和实验室用电气设备的安全要求。一般要求</p> <p>EN 62133:2013 便携式密封蓄电池和由其制成的用于便携式应用的电池之安全要求。CB 测试认证 DK-73443-UL</p> <p>UL 2054 UL 家用和商用电池安全认证标准 20180518-MH2944</p> <p>UL 60950-1 & CAN/CSA-C22.2 编号 60950-1-07 安全信息技术设备 UL 标准 - 安全性 - 第 1 部分: 一般要求认证 20180518-MH294</p> <p>UN 38.3 测试和标准 UN 手册, 第 III 部分, 第 38.3 子. 锂离子可充电电池安全运输</p> <p>排放:</p> <p>EN 61326-1:2013 第 2.0 版 (辐射、传导及谐波排放) (EMC - 测量、控制和实验室设备)</p> <p>CISPR 11/EN 55011:2009 (+A1:2010) 工业、科学和医用 (ISM) 无线电射频设备的排放标准, A 类</p> <p>豁免权:</p> <p>EN 61326-1:2013 第 2.0 版 (EMC - 测量、控制和实验室设备) 抗干扰性符合表 A.1 - 便携式测试和测量设备</p> <p>符合 RoHS 标准</p>	
CE 执行日期:	2019 年 5 月 7 日	



授权代表:
Brian King
INFICON
总经理 - 维修工具
Two Technology Place
East Syracuse, NY USA 13057

EU 授权代表
INFICON GmbH
50968 Köln, Bonner Str. 498

若对此声明或 INFICON 产品安全性有任何相关问题，请书面咨询上述地址的授权代表。

2 注意事项和警告

注意事项:

- 仅使用输出为 5 V (dc) \pm 5%, 1 A \pm 5%的认证充电器/充电线。
- 请勿将设备放置在极端高温或低温的地方。
- 请勿将电池暴露于液体中。
- 若发现电池有任何损坏, 请勿使用该设备。
- 请勿拆卸或改装电池。
- 根据当地法规处理和处置电池。
- 若未能完成再充电操作, 即使指定的再充电时间已经过去, 也应立即停止继续再充电。
- 充电时, 请勿让电池处于无人看管状态。
- 电池充满后, 请拔掉充电器。
- 若不当使用或处置锂电池, 可能会引起火灾。
- 本仪器不得用于易燃环境。
- 高射频环境可能会引起误报警。



警告

此标识用于提示用户本仪器随附的文献中出现的重要操作和维护（维修）说明。



警告

暴露在高浓度的 CO₂ 或冷媒下非常危险, 可能危及生命。

本仪器不得用于有毒或危险环境。其并非个人防护设备或救生设备。在潜在毒性或危险的环境中使用时, 始终要格外小心。



警告

本产品不是本质安全型产品, 不应在存在爆炸性气体、爆炸性粉尘或其他爆炸性化学品的情况下使用。在可燃性冷媒浓度接近 LEL 的环境中使用可能引起爆炸或火灾, 从而造成严重伤害、死亡或财产损失。

3 技术规格

使用	室内/室外
传感器类型	红外线
兼容冷媒	所有 CFC、HCFC、HFC、HFO、混合物（包括 A2L）及 CO ₂ ¹
最低灵敏度（精确定位模式超灵敏度）	1 克/年（0.03 盎司/年） ²
显示分辨率（Cloud Hunting 模式）	1 ppm
显示范围（Cloud Hunting 模式）	0 至 9999 ppm
准确度（Cloud Hunting 模式，以洁净空气为基准，R134a）	±1 ppm ±10% 读数
电池类型	锂离子
充电输入类型	微型 USB
充电时间（从 0% 开始）	约 3 小时
电池寿命	约 8 小时（云探测）约 10 小时（Pinpoint）
输入电压	5 V (dc) ±5%
输入电流	1 A ±5%
预热时间	45 至 90 秒
温度范围和湿度	
• 存储	-20 至 60°C (-4 至 140° F)
• 运行 ³	-20 至 50°C (-4 至 122° F)
• 充电	0 至 45°C (32 至 113° F)
• 湿度	95% 相对湿度 NC 最大值
高度	2000 米 (6500 英尺)
污染程度	2
过压类别	2
重量（带电池，不包括外壳或附件）	0.50 千克 (1.10 磅)

¹ 检测 CO₂ 需要选配的 CO₂ 传感器。

² 要达到最佳性能和指定的灵敏度，建议在使用前让 D-TEK Stratus 运行 15 分钟。

³ 应对在低于 0° C (32° F) 温度的使用进行限制。建议在低温环境下使用前延长预热时间。

根据 EN 14624 的技术规格表

	R134a	R1234yf
最低灵敏度，固定（静态）	1 克/年	0.5 克/年
最高灵敏度，固定（静态） ⁴	>50 克/年	>50 克/年
最低灵敏度，移动（动态）	1 克/年	1 克/年
最高灵敏度，移动（动态） ⁴	>50 克/年	>50 克/年
最小响应/检测时间	<1 秒	<1 秒
归零时间	1 至 4 秒	1 至 4 秒
50 克/年暴露的恢复时间 ⁵	7.6 秒	6.4 秒
污染环境下的最低灵敏度	>2 克/年	1 克/年
校准频率	每年根据校准漏孔标准进行检查	

⁴INFICON 未指定泄漏检测上限，因为检测器能够检测到的泄漏量没有上限

⁵由于测试期间 50 克/年泄漏标准不可用，因此采用 32 克/年泄漏标准。

SAE 应用

SAE 标准 J2791 (R-134a) 和 J2913 (R-1234yf) 指定以下相应设置的泄漏量的灵敏度。超灵敏度比 SAE 针对在洁净环境（无背景冷媒）中检查泄漏要求的灵敏度更高。若在污染环境中检查泄漏（高背景冷媒），请切换至超灵敏度。

R-134a 泄漏率 (克/年)	R-1234yf 泄漏率 (克/年)	灵敏度设置
14	14	低

R-134a 泄漏率 (克/年)	R-1234yf 泄漏率 (克/年)	灵敏度设置
7	7	中
4	4	高

下表列出了一些常见的机罩下化学物质，并指明其是否将引起 D-TEK Stratus 的假触发。

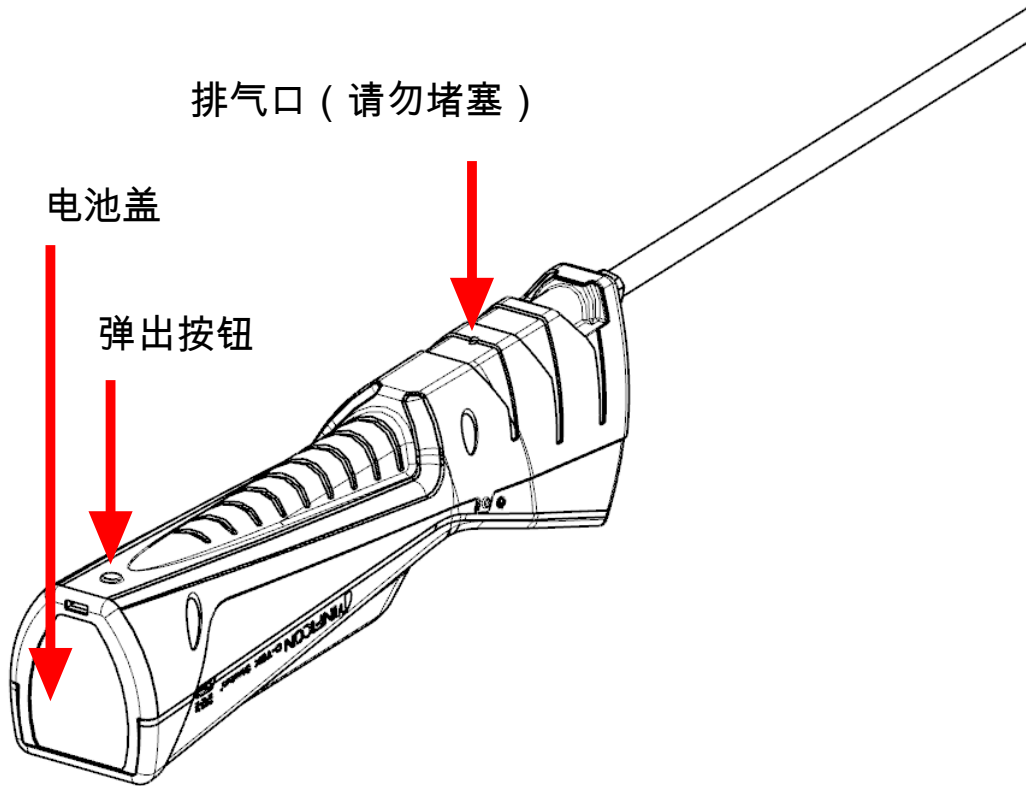
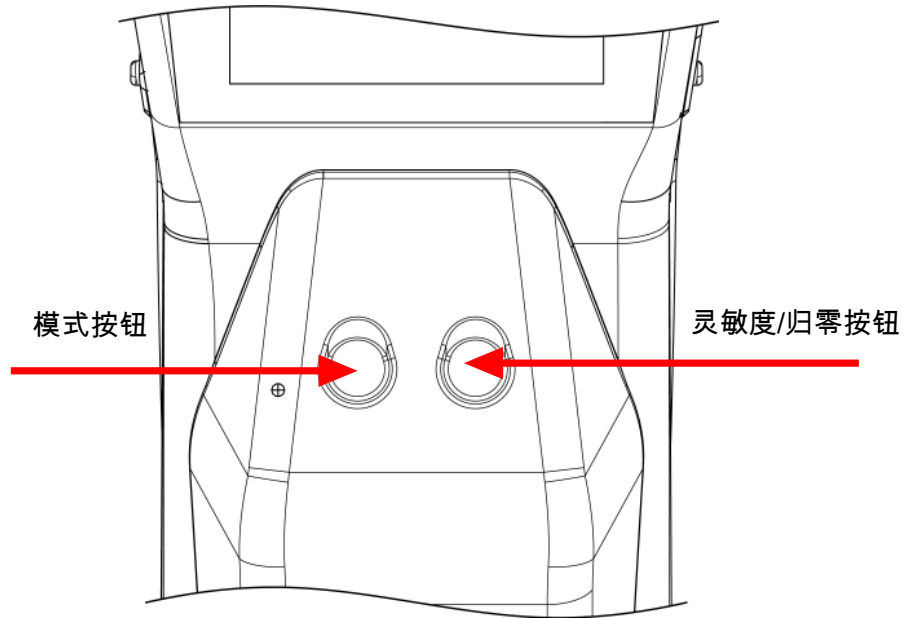
关闭发动机执行泄漏测试。

化学物质	假触发
风挡清洗器溶剂 (甲醇基)	是
Ford™ 去污剂	是
Ford 防锈剂和抑制剂	是
Ford 垫圈和修整胶粘剂	是
Permatex™ 天然蓝色清洁剂和脱脂剂	是
Ford 刹车系统清洁剂	是
Ford 喷雾式汽化器调整用清洁剂	是
Ford 透明硅橡胶	是
Motorcraft™ G-05 防冻剂/冷却剂	否
Gunk™ 液体扳手	否
Ford 浮石/乳液洗手剂	否
Ford Motorcraft DOT3 制动液	否
Ford 硅润滑剂	否
Dexron™ 自动变速箱油	否
矿物机油	否

专利 (申请中)

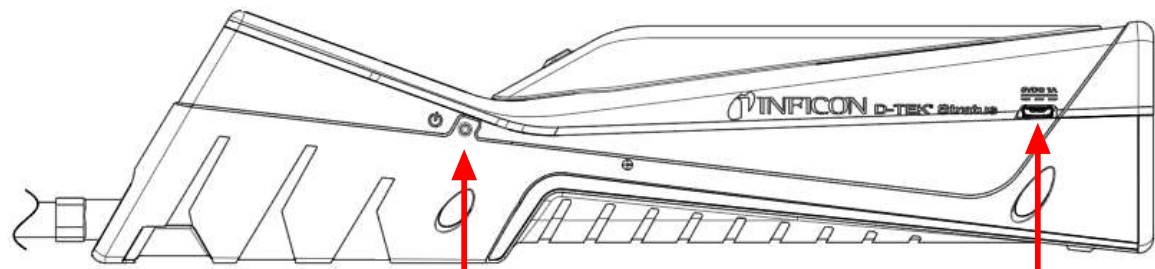
- 应用 #10 2018 206 877.1
- 应用 #18171080.7
- 应用 # 10 2018 208 826.8

4 D-TEK Stratus



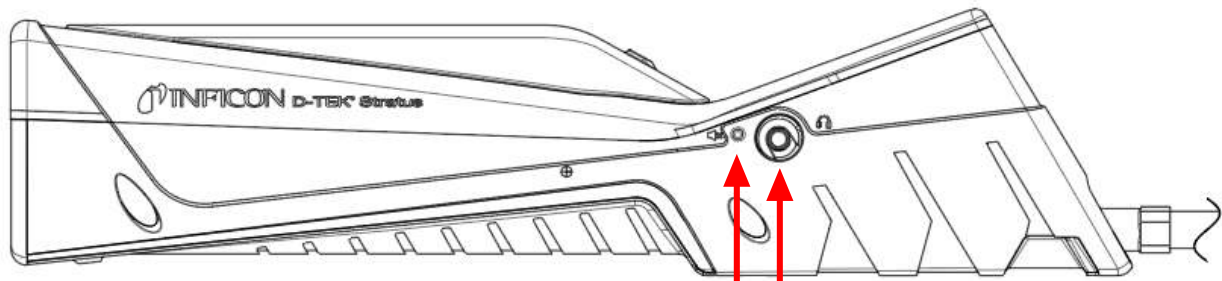
中文

中文



电源按钮

微型 USB 电
源端口



音量按钮 耳机插孔

中文

中文

5 什么是 Cloud Hunting?

冷媒从系统中泄漏后，并不会均匀分散在空气中。通常情况下，泄漏源附近的冷媒浓度较高。另外，冷媒密度与空气密度并不相同，所以其往往会在空气中且接近地面的位置形成“云”。对于大多数冷媒来说，这些云是无色无味的。使用传统检漏仪进行泄漏检查时，很可能会在进入冷媒云时发出警报。这并不能帮助您找到泄漏点，因为云可能不在泄漏源附近。

D-TEK Stratus 使用的是正在申请专利的技术，可以显示空气中的冷媒浓度，单位为百万分率 (ppm)。这样以来，您将能读取显示屏并根据数字找到浓度更高的区域，进而直接找到泄露源。

6 给电池充电

D-TEK Stratus 使用可充电锂离子电池。INFICON 建议在使用前给电池充电。使用提供的充电器或充电底座附件，电量耗尽的电池可在大约 2 小时内充电 80% 并在大约 3 小时内充满电。电量充满的情况下通常可持续工作 8 至 10 小时 具体取决于使用的模式和运行温度。屏幕指示器会显示电池剩余电量百分比。



D-TEK Stratus 充电时可以使用。

7 打开仪器，以备使用



若屏幕无法打开，则表示电池电量不足，需要充电。D-TEK Stratus 充电时可以使用。

1. 长按电源按钮（位于仪器主机的左侧），以开启或关闭 D-TEK Stratus。
⇒ D-TEK Stratus 在 45 至 90 秒内完成预热，具体时间不定。完成预热后，即可开始使用 D-TEK Stratus.
2. 要切换模式，请按模式按钮。您可在 Cloud Hunting、精确定位和 Manual Zero 模式之间进行切换。



D-TEK Stratus 始终以最后使用的模式启动。



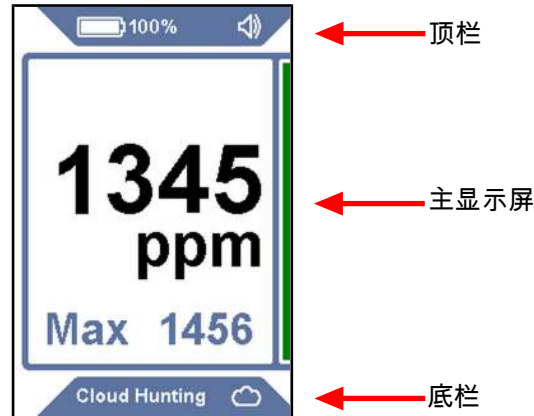
警告

请勿堵塞排气口。

堵塞废气可能会导致误报或读数错误。

8 屏幕布局和标识

D-TEK Stratus 通过显示屏显示所有指标和信息。该显示屏包括顶栏、主显示屏和底栏。







顶栏：顶栏包括电池标识、百分比、传感器指示器（使用非标准传感器类型时）以及音量指示器。

标识	描述
	电池电量为 75% 至 100%
	电池电量为 50% 至 74%
	电池电量为 30% 至 49%
	电池电量为 10% 至 29%
	电池电量低于 10%
	电池正在充电
	音量设置为 100%（默认）
	音量设置为 50%
	音量静音
CO2	已安装 CO ₂ 传感器

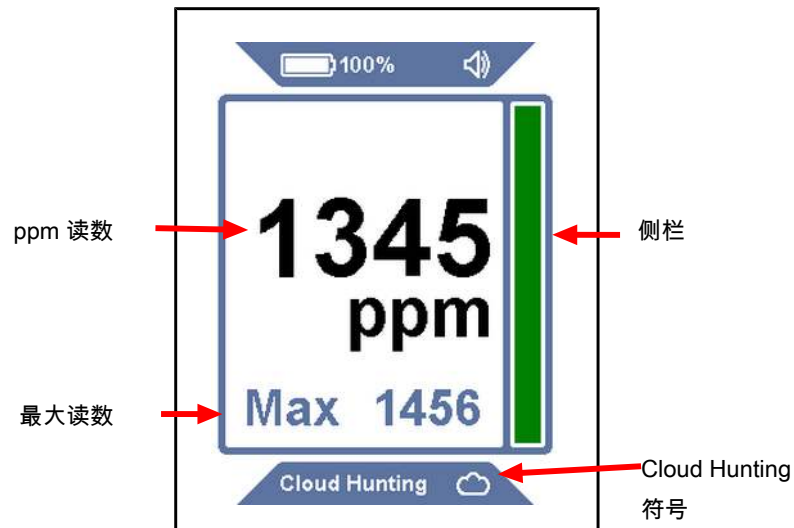
主显示屏：主显示屏会显示泄漏检查所需的信息。主显示屏包括 Cloud Hunting 模式的 ppm 读数以及精确定位和 Manual Zero 模式的泄漏指标。

底栏：底栏会显示当前模式及模式指示器标识。此外，还会显示精确定位模式的灵敏度。

标识	描述
	表示 Cloud Hunting 模式
	表示精确定位模式
	表示 Manual Zero 模式

标识	描述
	灵敏度 = 超 (Super) (仅在精确定位模式中显示)
	灵敏度 = 高 (High) (仅在精确定位模式中显示)
	灵敏度 = 中 (Medium) (仅在精确定位模式中显示)
	灵敏度 = 低 (Low) (仅在精确定位模式中显示)

9 使用 Cloud Hunting（便携式监视器）模式



Cloud Hunting 模式通过显示屏上的较大 ppm 读数和底部的 Cloud Hunting 字样以及云标识予以识别。侧栏会随 ppm 读数的变化而进行增减。



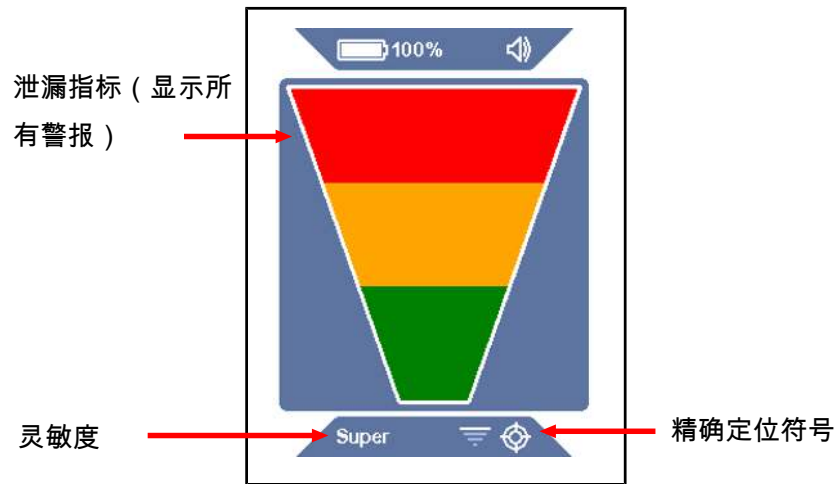
Cloud Hunting 模式中没有灵敏度设置。

1. 缓慢穿过可疑区域并观察 ppm 读数。
2. 根据 ppm 读数，找出冷媒浓度较高的区域。读数越大，浓度越高。
3. 按下灵敏度/归零按钮启用和禁用最大读数功能。启用后，主 ppm 显示屏下会显示观察到的最高 ppm 水平。要重置最大读数，请长按灵敏度/归零按钮，或关闭功能然后重新打开。



D-TEK Stratus 在 Cloud Hunting 模式下使用的是正在申请专利的开关阀，可不断地将探针头的样本与检漏仪内部的空气（参考样品）进行比较。该技术允许 D-TEK Stratus 在不使用碳过滤器的情况下工作。在冷媒浓度较高的区域存留数分钟可能会导致冷媒污染参考样品，进而使 ppm 读数回到零点。若发生上述情况，请移至空气洁净区域（在 Cloud Hunting 模式下）数分钟，使参考样品重归洁净。

10 使用精确定位模式



精确定位模式通过显示屏上的较大泄漏指标和底栏上的精确定位标识予以识别。此外，还会在底栏上显示当前灵敏度。这种模式的工作原理类似于带有自动归零功能的标准检漏仪，当检测到泄漏时，指示栏即会亮起以进行指示。

1. 使 D-TEK Stratus 的探针头尽可能靠近疑似泄漏点（勿阻塞空气流动）。
2. 缓慢移动探针，使其经过各个可能的泄漏点。
⇒ 若检测到泄漏，D-TEK Stratus 会发出警报且屏幕指示灯会亮起。
3. 确定泄漏点后，将探针从泄漏点移开数秒，然后再重新检查现场，以确认泄漏点。

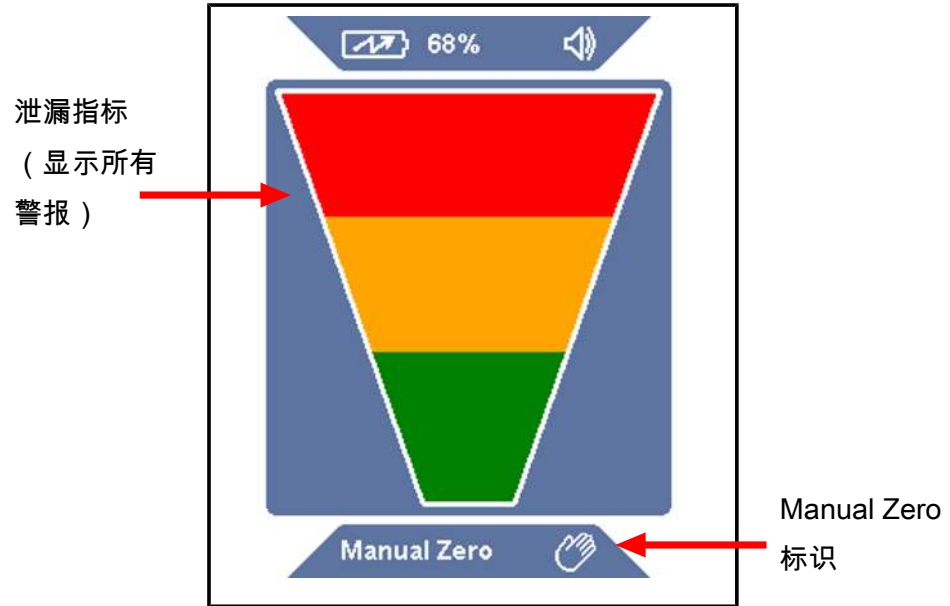


在精确定位模式下，D-TEK Stratus 会自动归零至背景冷媒并仅在冷媒浓度较高时发出警报。若发生这种情况，则请继续寻找浓度较高的冷媒，或者将探针移到浓度较低的区域数秒钟，以重置零点。



按下灵敏度/归零按钮，切换灵敏度设置。处理较大泄漏时，使用较低的灵敏度设置可以更容易地精确定位泄漏点。底栏上会显示当前灵敏度。

11 Manual Zero 模式



Manual Zero 模式的外观和操作与精确定位模式类似，不过该模式主要通过文字 Manual Zero 和底栏上的 Manual Zero 标识予以识别。Manual Zero 模式允许用户通过按下灵敏度/归零按钮手动归零至背景冷媒。完成新零点设置后，D-TEK Stratus 将不再发出警报，除非检测到更高浓度的冷媒。

Manual Zero 模式在零点发出蜂鸣的频率比其他模式更快。若其浓度低于当前零点浓度，则会减缓发出蜂鸣的频率。这样一来，用户即可通过监听蜂鸣频率的变化来确定其与泄漏点的距离。



Manual Zero 模式中没有灵敏度设置。



为获得最佳性能，在 Manual Zero 模式中，需要长达 15 分钟的预热时间。

12 耳塞和音量控制

耳机插孔位于<>右侧 D-TEK Stratus 用于通过耳机或耳塞收听报警声。



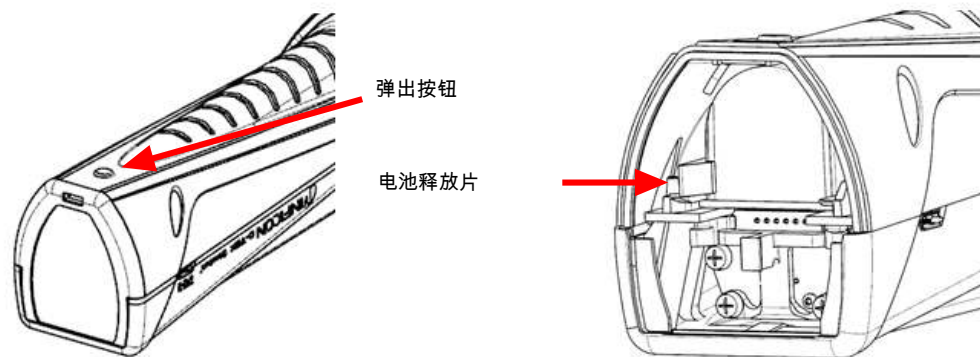
警告

如果试图使用非 INFICON 提供的耳机，务必仔细进行测试，以免听力受损。

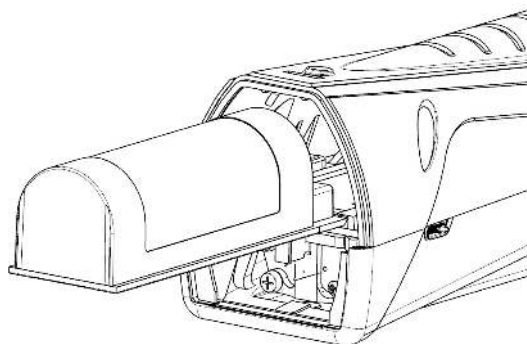
音量按钮位于耳机插孔的旁边。按下音量按钮，可从 100% 音量切换到 50% 音量，再到静音。启动时，音量默认为 100%。将耳机或耳塞插入后，可在 100% 音量和静音之间调节音量。

13 移除并安装锂离子电池

1. 按下 D-TEK Stratus 背面的弹出按钮并移除电池盖。



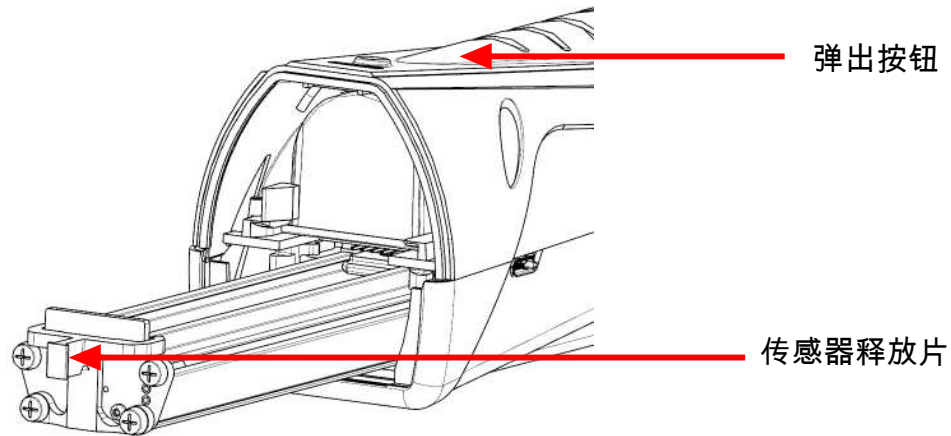
2. 将电池释放片移动到一边直至电池弹出，然后移除电池。滑出电池。
3. 将电池与轨道对齐。



4. 沿着轨道轻轻推动电池，直至电池释放片接合。
⇒ 请勿用蛮力推动电池。若电池无法自由滑动，检查对齐情况并重试。
5. 重新安装电池盖。

14 移除并安装传感器

D-TEK Stratus 使用的是墨盒式传感器，可快速轻松地现场进行移除和更换。除了标准传感器之外，INFICON 还提供了适用于冷冻冷媒和空调应用的 CO₂ 特定传感器。请参见 更换零件和附件 [▶ 186]。

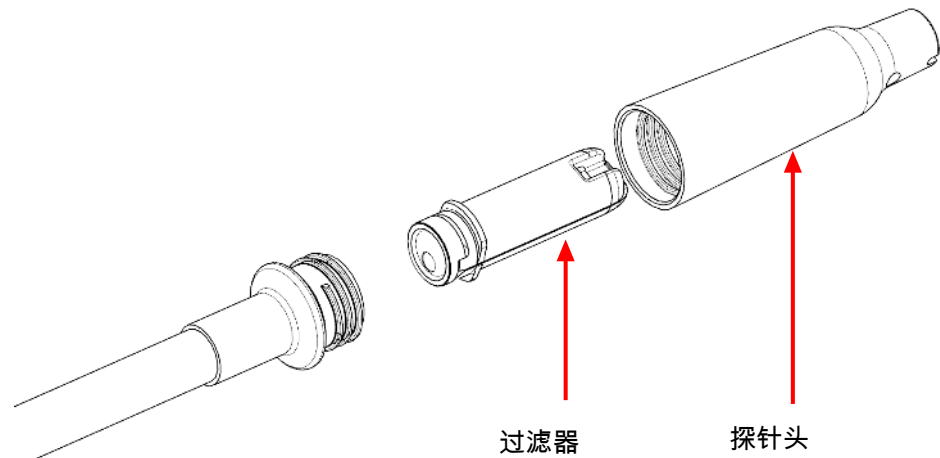


要更换传感器：

1. 按下 D-TEK Stratus 背面的弹出按钮并移除电池盖。
2. 抓住传感器释放片并轻轻将其拉出。
3. 将新的传感器与轨道对齐。
4. 沿着轨道轻轻推动传感器，直至其完全插入。
⇒ 请勿用蛮力推动传感器。若其无法自由滑动，检查对齐情况并重试。
5. 重新安装电池盖。

15 更换过滤器

D-TEK Stratus 使用的是疏水滤芯，可允许空气和冷媒通过，同时滤出水、污垢和油脂等。检查白布，确定是否需要更换过滤器。若白布变色，则请安装新的过滤器。若您怀疑检漏仪无法正确检测冷媒，最简单的故障排除措施便是更换过滤器。堵塞的空气过滤器会限制样品的气流。



将过滤器暴露于水或油脂中会阻塞气流。若出现这种情况，将探针朝下并移除过滤器，以避免探针内受到污染，并安装新的过滤器。若过滤器是湿的，则可在其干燥后重复使用。



⚠ 小心

请勿使用没有配备探针头和过滤器的仪器。

要更换过滤器：

1. 拧下探针头并移除过滤器。
2. 将新的过滤器插入探针。
3. 拧紧探针头。 不要过紧。

16 超长探针

D-TEK Stratus 配有一个超长探针更换件，以便于在难以到达的区域进行泄漏检查。

要安装超长探针：

1. 使用 10 厘米扳手从 D-TEK Stratus 上拧下标准探针。
2. 拧紧超长探针至大约 35 英寸磅（4 牛米）。 不要过紧。
3. 从标准探针上拧下探针头并移除过滤器（或使用新的过滤器）。
4. 将过滤器插入超长探针。
5. 将探针头拧至超长探针上。 不要过紧。

17 针形探针扩展附件

利用选配的针形探针扩展附件，可以在紧密位置和绝缘处检查泄漏情况。该探针很容易刺穿绝缘层，适用于小范围。

要安装针形探针扩展附件：

1. 拧下探针头。将过滤器置于适当位置。
2. 将新的过滤器插入探针头。
3. 拧紧探针头。不要过紧。

18 可选传感器

可选传感器可用于 CO₂ (PN 724-701-G2) 或可燃性冷媒 (PN 724-701-G3) 应用。如要使用 CO₂ 或可燃性冷媒传感器，请拆下标准传感器，然后按照移除并安装传感器 [▶ 180] 中的说明安装新传感器。D-TEK Stratus 自动识别传感器类型，**模式** 指示灯亮起正确的颜色，在安装传感器后的整个时间段内指明传感器类型。绿色指示安装的是 CO₂ 传感器，红色指示可燃性冷媒传感器，橙色指示标准冷媒传感器。



如果 D-TEK Stratus 没有自动识别可燃性冷媒传感器的类型，请联系 INFICON 安排软件测试。



可燃性冷媒传感器无法检测氢，包括氢合成气体。



在探测 CO₂ 漏点时，建议戴上呼吸器或口罩，以避免向探头呼出 CO₂。



警告

暴露在高浓度的 CO₂ 或冷媒下非常危险，可能危及生命。

本仪器不得用于有毒或危险环境。其并非个人防护设备或救生设备。在潜在毒性或危险的环境中使用，始终要格外小心。



警告

本产品不是本质安全型产品，不应在存在爆炸性气体、爆炸性粉尘或其他爆炸性化学品的情况下使用。在可燃性冷媒浓度接近 LEL 的环境中使用可能引起爆炸或火灾，从而造成严重伤害、死亡或财产损失。


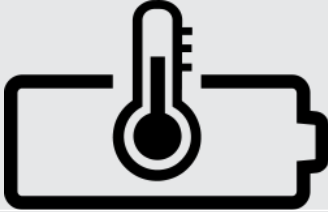
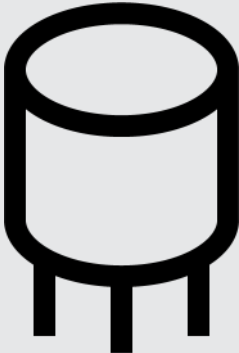
19 清洁和存储

D-TEK Stratus 可使用温和的洗涤剂或异丙醇进行清洗。应注意不要让清洁剂进入仪器。请勿用汽油、丙酮或其他腐蚀性溶剂清洗，因为这可能腐蚀塑料或损坏显示屏。

20 更换零件和附件

更换外壳	724-700-G1
耳塞	721-607-G1
12 V (直流) 车载充电器	721-605-G1
交流壁式充电器 (包括适用于多个区域的插头)	721-606-G1
锂离子电池	721-702-G1
电池充电底座	721-610-G1
电池/充电底座组合	721-604-G1
标准传感器 (检测 CFC、HCFC、HFC、HFO 及混合物等 (包括 A2L))	724-701-G1
CO ₂ 传感器	724-701-G2
可燃冷媒 (HC) 传感器	724-701-G3
滤芯 (五个)	712-707-G1
更换探针帽	712-705-G1
针形探针扩展附件	721-612-G1
超长探针	721-611-G1
TEK-Check R134a 测试漏孔	703-080-G10

21 故障排除指南

问题	原因	补救措施
将显示以下标识： 	电池发生错误。这可能是由于电池故障或电池安装不当，或连接不良造成的。	移除并重新安装电池。若仍然无法解决问题，则请更换电池。请参见 移除并安装锂离子电池 [▶ 179]。
将显示以下标识： 	电池高于或低于理想温度范围，可能无法正常充电。	让电池恢复至正常温度。
将显示以下标识： 	传感器发生错误。这可能是由于传感器故障或传感器安装不当，或连接不良造成的。	移除并重新安装传感器。若仍然无法解决问题，则请更换传感器。请参见 移除并安装传感器 [▶ 180]。
长按电源按钮后，无法打开显示屏。	电池电量极低。	给电池充电或将装置插入充电器。
装置打开但无法检测冷媒。	装置没有完成预热（出现咖啡杯）。 过滤器堵塞，限制了气流。 泵出现故障。 灵敏度设置过低（仅适用于精确定位模式）。 安装的传感器不正确。 参考样品受到污染（Cloud Hunting 模式）。	等待预热完成。此过程需要 45 至 90 秒的时间。 更换滤芯。请参见 更换过滤器 [▶ 181]。 注意倾听泵发出的声音。若泵没有发出声音且电池电量充足，请联系 INFICON。 验证灵敏度水平。对于极小的泄漏点，应采用高或超灵敏度。 验证使用的是否是正确的传感器（冷媒传感器或 CO ₂ 传感器）。 让 D-TEK Stratus 在空气洁净区域（Cloud Hunting 模式下）运行五分钟。
装置在洁净空气中发出警报。	排气口被遮盖。 安装的传感器不正确。	验证排气口是否被遮盖。 验证安装的是否是冷媒传感器，而非 CO ₂ 传感器。
在已知的污染区域，ppm 会降至零。	参考样品可能受到污染。	让 D-TEK Stratus 在空气洁净区域（Cloud Hunting 模式下）运行五分钟。
泵没有发出声音。	泵出现故障。	若电池电量充足，请联系 INFICON。

22 保修和责任限制

INFICON 保证，D-TEK Stratus 冷媒检漏仪在购买之日起的一至两年内（视地区而定）不存在材料或工艺缺陷。INFICON 不保修在正常使用下性能降低的任何物件，包括电池、传感器和过滤器。此外，INFICON 不保修任何被误用、遭受疏忽或事故的仪器、或者已由 INFICON 以外的任何人维修或改动的仪器。INFICON 的责任仅限于质保期届满后三十（30）天内返回给 INFICON 并预付运费且 INFICON 判定为因材料或工艺缺陷而发生事故的仪器。INFICON 的责任仅限于修理或更换（可自行选择）有缺陷的仪器或部件。此保修代替其他所有保修，无论明示或暗示，是否具有适销性、特定目的适用性等。所有其他保修均予以明确否认。INFICON 所负责任不超出支付给 INFICON 用于购买仪器的价格以及预付的返回运输费。INFICON 不负任何偶然或后续损害。所有此类责任均予排除。

23 返回仪器进行保修或维修

请联系您的批发商进行保修评估或保修外维修。请勿将装置直接返回 INFICON。所有返回 INFICON 维修或赊购的仪器和部件必须妥善包装、投保、预付运费，并且在返回材料前必须发布返回材料授权 (RMA) 号。RMA 号将标示在所有运输标签和装箱单上。请联系您的 INFICON 经销商，寻求协助。若有任何问题，请致电 800-344-3304 联系 INFICON 或联系您当地的 INFICON 销售办事处。

目次

1 法令遵守に関する宣言	191
2 注意事項と警告	192
3 仕様	193
4 D-TEK Stratus	195
5 Cloud Huntingとは.....	197
6 バッテリーの充電.....	198
7 装置をオンにして使用の準備を行う	199
8 画面レイアウトとシンボル	200
9 Cloud Hunting (ポータブルモニター)モードを使用する	202
10 Pinpoint (特定) モードを使用する	203
11 Manual Zeroモード.....	204
12 イヤホンと音量調整	205
13 リチウムイオンバッテリーの取り外しと取り付け	206
14 センサーの取り外しと取り付け	207
15 フィルターの交換.....	208
16 ロングタイプのプローブ	209
17 ニードルプローブの延長.....	210
18 オプションセンサ.....	211
19 清掃と保管.....	212
20 部品とアクセサリーの交換	213
21 トラブルシューティング	214
22 保証と責任制限	216
23 保証または修理のための装置の返送	217

1 法令遵守に関する宣言



EUの
準拠
宣言

この宣言は、製造元 INFICON の単独の責任に基づいて発行されます。この宣言の目的は、この機器 が次の製造業者により設計、製造されたものであると認定することです。

INFICON Inc.
Two Technology Place
East Syracuse, NY 13057
USA

また、この機器が関連するコミュニティ調整法規則に遵守していることを認定することです。コミュニティで施行されている安全性に関する良好な工学的慣行に従って策定され、適切に設置および保守され、製造時の目的に従って使用されているときに、人、家庭内の動物や財産物の安全性に危険を及ぼさないことを示しています。

機器の説明:	D-TEK Stratus	
モデル番号:	724-20x-Gxx	(すべてのグループ番号に適用)
適用対象の指令:	2014/35/EU	LVD
	2014/30/EU	General EMC
	2011/65/EU	2015/863/EU RoHS HSIにより変更
	2006/66/EC	2013/56/EU EUバッテリー指令により変更
適用される基準:		
安全性:	EN 61010-1:2010	測定、制御、および研究所用電気機器の安全性要件。一般的な要件
	EN 62133:2013	ポータブル密封型二次電池およびそれらから構成されるバッテリーを、ポータブルアプリケーションで使用する際の安全性要件。CBテスト証明書DK-73443-UL
	UL 2054	家庭用および商用バッテリーの安全性証明書20180518-MH29443に関するUL規格
	UL 60950-1 & CAN/CSA-C22.2 No. 60950-1-07	情報技術機器の安全性に関するUL規格 – 安全性 – パート 1: 一般要件証明書20180518-MH294
	UN 38.3	試験と基準に関するUNマニュアル、パートIII、サブセクション38.3。リチウムイオン再充電可能バッテリーの安全な輸送
放射:	EN 61326-1:2013	エディション2.0 (輻射、伝導および高調波放射) (EMC- 測定、制御および実験装置)
	CISPR 11/EN 55011:2009 (+A1:2010)	工業、科学、および医療用(ISM)ラジオRF装置、クラスAの放射規格
耐性:	EN 61326-1:2013	エディション2.0 (EMC – 測定、制御および実験装置) 表A.1に従う耐性 – ポータブルテストと測定設備
RoHS	コンプライアンス	
CE 発効日:	2019年5月7日	

代表者:
Brian King
INFICON
ジェネラルマネージャー – サービスツール
Two Technology Place
East Syracuse, NY USA 13057

EC認定代表者
INFICON GmbH
50968 Köln, Bonner Str. 498

この宣言または Inficon 製品の安全性に関連するすべての質問は、上記の住所の権限のある代表者に書面で送る必要があります。

2 注意事項と警告

注意:

- ・ 5 V(dc) $\pm 5\%$, 1 A $\pm 5\%$ の認定充電器/コードのみを使用してください。
- ・ 極度に高温または低温の場所にデバイスを置かないでください。
- ・ バッテリーを液体に曝さないでください。
- ・ バッテリーの損傷に気づいた場合には、デバイスを使用しないでください。
- ・ バッテリーを解体または改造しないでください。
- ・ 地域の規則に従ってバッテリーを取り扱い、廃棄してください。
- ・ 指定された充電時間が経過したら、充電が完了していない場合であっても、それ以上の充電は行わないでください。
- ・ 常に人の目が届く場所でバッテリーを充電してください。
- ・ 充電器が完全に充電された時点で、充電器を外してください。
- ・ リチウムイオンバッテリーの不適切な使用や廃棄により、火災が発生する場合があります。
- ・ 本装置は可燃性環境内での使用を目的としたものではありません。
- ・ 高出力の無線電波が存在する環境では、誤検出アラームが発生することがあります。



⚠ 警告

この記号は、重要な操作や保守（サービス）手順をユーザーに警告するために使用されます。



⚠ 警告

高濃度のCO₂または冷媒への曝露は危険であり人命を危険にさらすことがあります。

本製品を、毒性の強い、または危険な環境で使用することはできません。本製品器は、身体の保護装置でも救命装置でもありません。潜在的な毒性や危険性が存在する環境では、特に注意する必要があります。



⚠ 警告

本製品は、本質的な安全性を備えているものではないため、爆発性のあるガス、粉塵、または化学薬品が存在する環境で使用することはできません。可燃性冷媒の濃度が爆発下限界（LEL）に近い環境で使用すると、死傷事故や物的損害を伴う爆発や火災の原因になる可能性があります。

3 仕様

使用方法	屋内/屋外
センサータイプ	赤外線
対応冷媒	すべてのCFC、HCFC、HFC、HFO、混合 (A2Lを含む) ¹ 、およびCO ₂ ¹
最小感度 (Pinpoint モード、超高感度)	1 g/yr (0.03 oz/yr) ²
表示分解能 (Cloud Huntingモード)	1 ppm
表示範囲 (Cloud Huntingモード)	0~9999 ppm
精度 (Cloud Hunting モード、参照用 クリーンエアーを使用, R134a)	±1 ppm 測定値の±10%
電池の種類	リチウムイオン
充電入力タイプ	micro USB
充電時間 (0%から開始時)	約3時間
使用可能時間	約8時間 約10時間 (ピンポイント)
入力電圧	5 V(dc) ±5%
入力電流	1 A ±5%
ウォームアップ時間	45~90秒
温度範囲および湿度	
・ 保管	-20~60° C (-4~140° F)
・ 運転 ³	-20~50° C (-4~122° F)
・ 充電	0~45° C (32~113° F)
・ 湿度	95% RH NC 最大
高度	2000 m (6500フィート)
汚染度	2
過電圧カテゴリ	2
重量 (バッテリー込み、ケースまたは付属品を除く)	0.50 kg (1.10ポンド)

¹ CO₂の検出には、オプションのCO₂センサーが必要です。

² 最大限の性能と仕様上の感度を実現するには、D-TEK Stratus を使用前に15分間運転させることを推奨します。

³ 0° C (32° F)未満での使用には制限があります。低温環境での使用前には、ウォームアップ時間を長くとることを推奨します。

EN 14624に従う仕様表

	R134a	R1234yf
最小感度、静止時(静的)	1 g/yr	0.5 g/yr
最大感度、静止時(静的) ⁴	>50 g/yr	>50 g/yr
最小感度、移動時(動的)	1 g/yr	1 g/yr
最大感度、移動時(動的) ⁴	>50 g/yr	>50 g/yr
最小応答/検出時間	<1秒	<1秒
ゼロ点調整時間	1~4秒	1~4秒
50 g/yrへの曝露後の回復時間 ⁵	7.6秒	6.4秒
汚染環境での最小感度	>2 g/yr	1 g/yr
校正の頻度	校正リーク基準で毎年確認	

⁴ リーク検出の上限に関するINFICONによる指定はありません。ディテクターが検出可能なリークサイズに上限はありません。

⁵ 試験の時点で50 g/yr. のリーク基準が存在しなかったため、32 g/yrのリーク基準で代用。

SAEアプリケーション

SAE規格J2791 (R-134a)およびJ2913 (R-1234yf)は、次のリークサイズと対応する設定の感度を指定しています。超高感度は、清浄環境(バックグラウンドに冷媒が存在しない)におけるリークチェックに対し、SAEが要求しているよりも高い感度を持っています。汚染環境(バックグラウンドに冷媒が多い)においてリークチェックを行う場合には、超高感度に切り替えてください。

R-134aリークレート(g/yr)	R-1234yfリークレート(g/yr)	感度設定
14	14	低

R-134aリークレート (g/yr)	R-1234yfリークレート (g/yr)	感度設定
7	7	中
4	4	高

次の表には、一般的なアンダフード化学物質の例と、それらに対しD-TEK Stratusが誤トリガーを引き起こすかについて示されています。

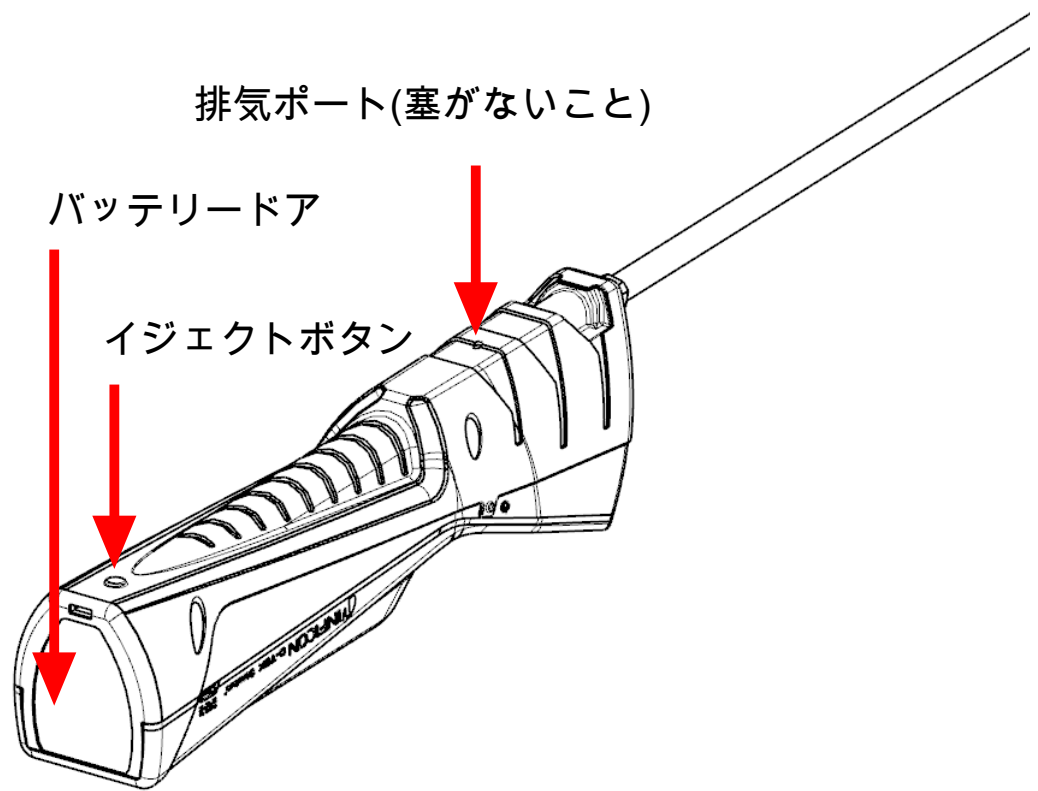
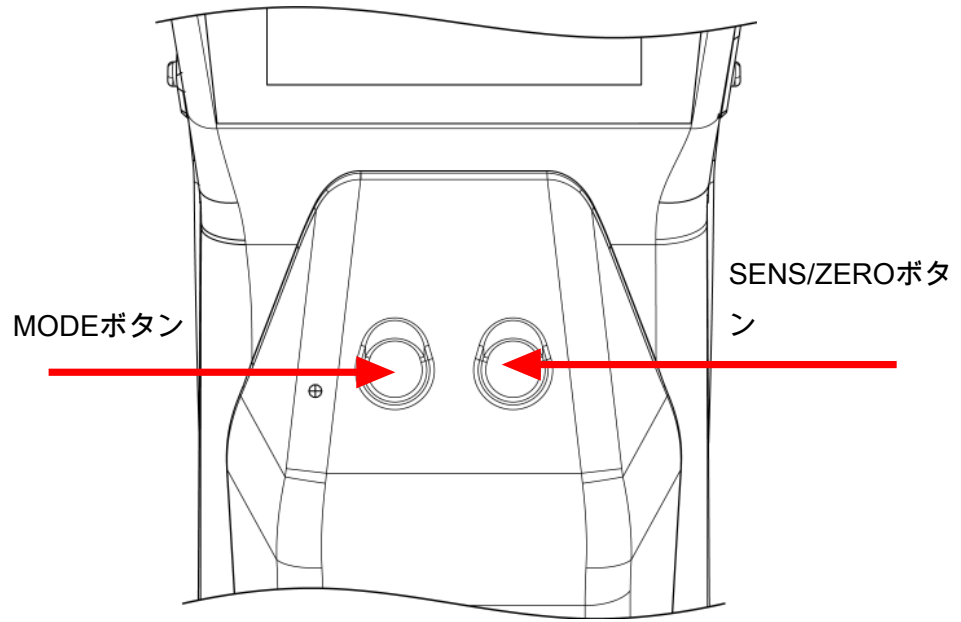
エンジンオフ時のリークテストの実施

化学物質	誤トリガー
フロントガラスウォッシャー液(メタノールベース)	yes
Ford™しみ抜き	yes
Fordさび浸透・防止剤	yes
Fordガスケット・トリム接着剤	yes
Permatex™ナチュラルブルークリーナー・グリース除去剤	yes
Fordブレーキパーツクリーナー	yes
Fordスプレーキャブレターチューンナップクリーナー	yes
Fordクリアシリコンラバ	yes
Motorcraft™ G-05凍結防止剤/クーラン	no
Gunk™リキッドレンチ	no
Ford軽石/ローションハンドクリーナー	no
Ford Motorcraft DOT3ブレーキ液	no
Fordシリコン潤滑剤	no
Dexron™自動変速機フルード	no
鉱油性エンジンオイル	no

特許(出願中)

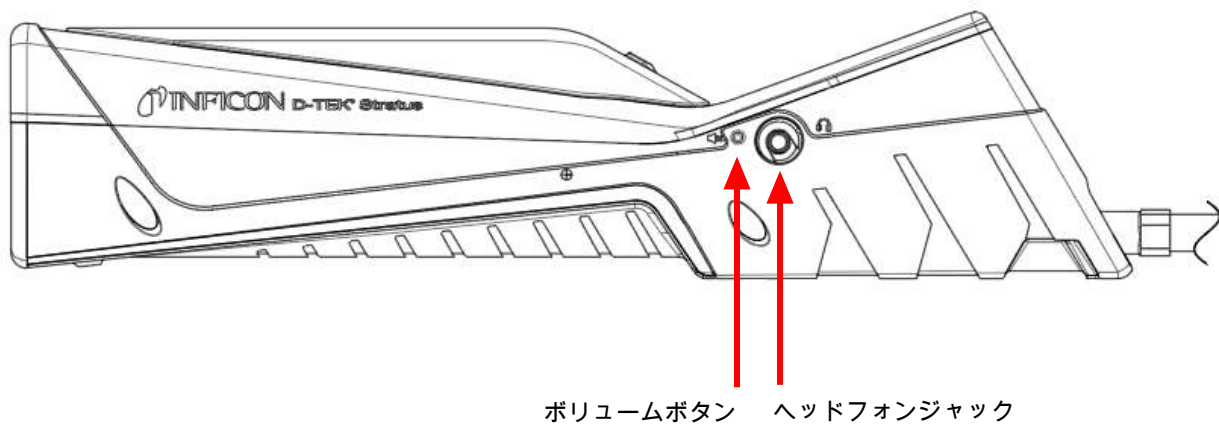
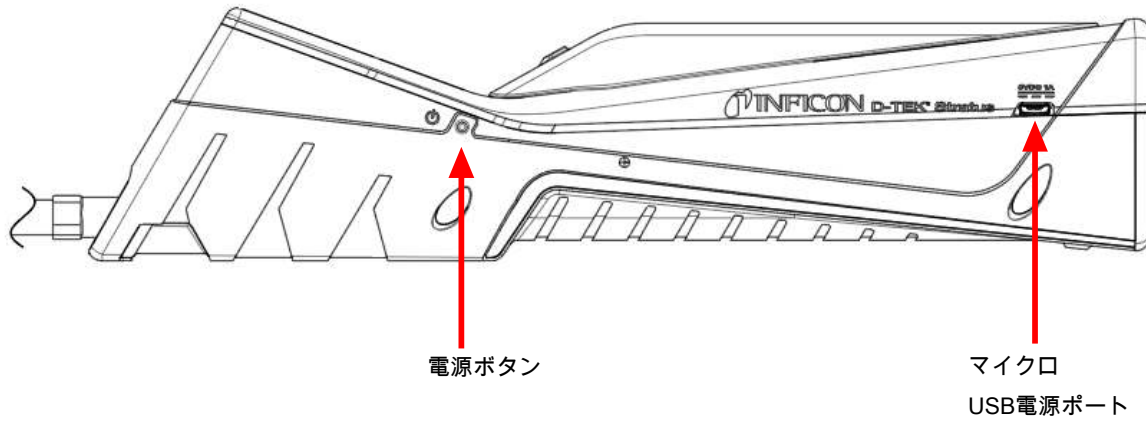
- ・ 出願#10 2018 206 877.1
- ・ 出願#18171080.7
- ・ 出願#10 2018 208 826.8

4 D-TEK Stratus



日本語

日本語



日本語

日本語

5 Cloud Huntingとは

冷媒がシステムからリークするとき、冷媒は空気中に均等に分散するわけではありません。冷媒の濃度は通常、リーク源の近くで高くなります。冷媒の密度は空気中と異なるため、空気中に「雲(Cloud)」を形成する傾向があり、通常は床の近くに留まります。ほとんどの冷媒の場合、これらの雲には色も臭いもありません。従来式のリークディテクターによるリークチェックでは、冷媒の雲の中に踏み込むとアラームが鳴る可能性がありました。雲はリーク源の近くにあるとは限らないため、リークの発見には役に立ちません。

D-TEK Stratus は、特許出願中の技術を使用し、空気中の冷媒の濃度を百万分の一(ppm)の単位で表示します。これにより、表示値を読み取りながら数値に基づいて濃度の高いエリアを見つけていくことで、リーク源に正しく到達することができます。

6 バッテリーの充電

D-TEK Stratus は、充電式リチウムイオンバッテリーを使用します。これは少し充電された状態で出荷されています。INFICON では使用前に充電することを推奨します。付属の充電器または充電用機器を使用した場合、残量0のバッテリーを約2時間で80%まで、約3時間で100%充電することができます。完全に充電した状態では、使用するモードと周囲の温度にもよりますが、8~10時間使用できます。これは、使用するモードと周囲の温度に依存します。画面上的インジケータ



D-TEK Stratus は充電中でも使用できます。

7 装置をオンにして使用の準備を行う



画面がオンにならない場合は、バッテリー残量が不足してしているため充電が必要です。D-TEK Stratusは充電中でも使用できます。

1. 電源ボタン(装置本体の左側)を長押しすると、D-TEK Stratusのオンとオフを切り替わります
⇒ D-TEK Stratusはウォームアップを開始します。この時間は45~90秒の範囲で変化します。ウォームアップが完了したら、D-TEK Stratusを使用できます。
2. モードを切り替えるためには、**MODE**ボタンを押します。これは、Cloud Hunting (ポータブルモニター)、Pinpoint (特定) およびManual Zero (手動ゼロ点調整) モードの間で切り替えられます。



D-TEK Stratus は常に、前回に使用した最後のモードで起動します。



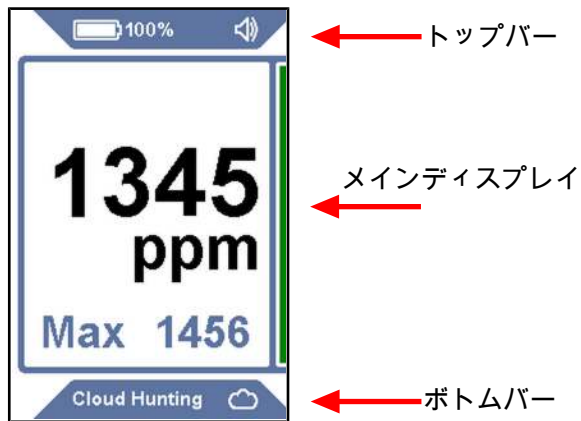
警告

排気ポートを塞がないでください。

排気が妨げられると、誤アラームまたは不正確な読み取り値の原因になります。

8 画面レイアウトとシンボル

D-TEK Stratusはディスプレイ画面にすべてのインジケータと情報を表示します。ディスプレイはトップバー、メインディスプレイ、およびボトムバーから構成されます。







トップバー: トップバーにはバッテリーのシンボル、パーセント値、センサーインジケータ (標準タイプ以外のセンサーを使用している場合)、およびサウンドインジケータが表示されます。記

記号	説明
	バッテリー充電 75~100%
	バッテリー充電 50~74%
	バッテリー充電 30~49%
	バッテリー充電 10~29%
	バッテリー充電 <10%
	バッテリー充電中
	ボリューム100% (デフォルト)
	ボリューム50%
	ミュート
	CO ₂ センサー使用中

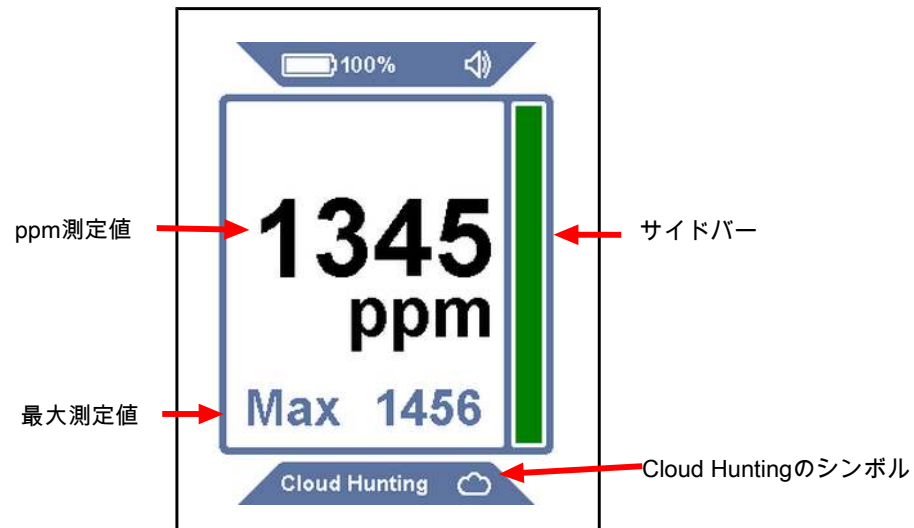
メインディスプレイ: メインディスプレイにはリークチェックに必要な情報が表示されます。メインディスプレイにはCloud Huntingモードのppm測定値、ピンポイントモードおよびManual Zeroモードのインジケータが表示されます。

ボトムバー: ボトムバーには現在のモードとモードインジケータのシンボルが表示されます。また、ピンポイントモードでの感度も表示されます。

記号	説明
	Cloud Hunting (ポータブルモニター) モードを示します
	Pinpoint (特定) モードを示します
	Manual Zero (手動ゼロ点調整) モードを示します

記号	説明
	感度 = 超高 (Pinpoint (特定) モードでのみ表示されます)
	感度 = 高 (Pinpoint (特定) モードでのみ表示されます)
	感度 = 中 (Pinpoint (特定) モードでのみ表示されます)
	感度 = 低 (Pinpoint (特定) モードでのみ表示されます)

9 Cloud Hunting (ポータブルモニター)モードを使用する



Cloud Hunting (ポータブルモニター) モードでは、ディスプレイにppmによる測定値が大きく表示され、ボトムバーにはCloud Huntingという文字と雲のシンボルが表示されます。サイドバーは、ppm測定値に応じて長さが変化します。



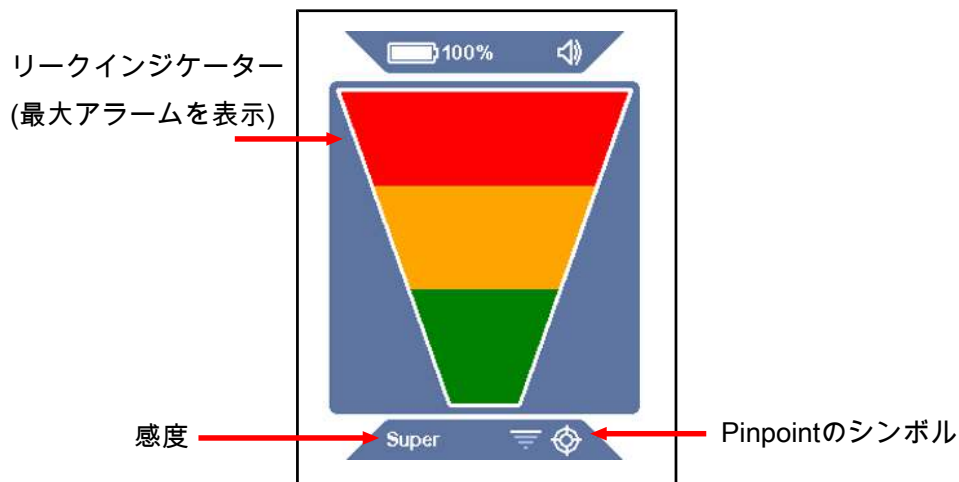
Cloud Hunting (ポータブルモニター) モードには、感度の設定がありません。。

1. リークが疑われる場所をゆっくりと移動して、ppm測定値を観察します。
2. ppm測定値に従って、冷媒濃度が高い場所を見つけます。数値が大きいほど濃度が高いことを示します。
3. SENS/ZERO(感度/ゼロ点調整)ボタンを押して、MAX(最大値)機能を有効/無効にします。有効にすると、観察された最高のppmレベルがメインppmディスプレイの下に示されます。MAXの値をリセットするには、SENS/ZEROボタンを長押しするか、機能をもう一度オフにし、それからオンにします。



D-TEK Stratusは、Cloud Hunting (ポータブルモニター) モードにおいて特許出願中の切り替えバルブを使用し、プローブのチップからのサンプルとリークディテクタ本体内部の空気(参照サンプル)を継続的に比較します。この技術により、D-TEK Stratusはカーボンフィルターを使用しなくても機能します。冷媒の濃度が高いエリアに数分間留まっていると、参照サンプルが冷媒によって汚染されることによりppm測定値が0に低下することがあります。この場合には、(Cloud Hunting (ポータブルモニター) モードのまま)清浄環境に戻り、数分間待つことで参照サンプルを再び清浄な状態にしてください。

10 Pinpoint (特定) モードを使用する



Pinpoint (特定) モードでは、ディスプレイにリークインジケータが大きく表示され、ボトムバーにはPinpoint (特定) モードのシンボルが表示されます。ボトムバーには、現在の感度も表示されます。このモードは、自動ゼロ点調整機能のある標準的なリークディクターのように動作します。リークが検出されると、インジケータバーが点灯します。

1. D-TEK Stratusのチップをリークが疑われる箇所にできるだけ近づけます (空気の流れを妨げないでください)。
2. プローブをリークの可能性のある箇所の近くをゆっくりと通過させます。
⇒ リークが検出されると、D-TEK Stratusはアラーム音を鳴らし、スクリーン上のインジケータが点灯します。
3. リークが特定できたら、プローブをリーク箇所から離して数秒間待った後、再度その箇所に戻りリークを確認します。

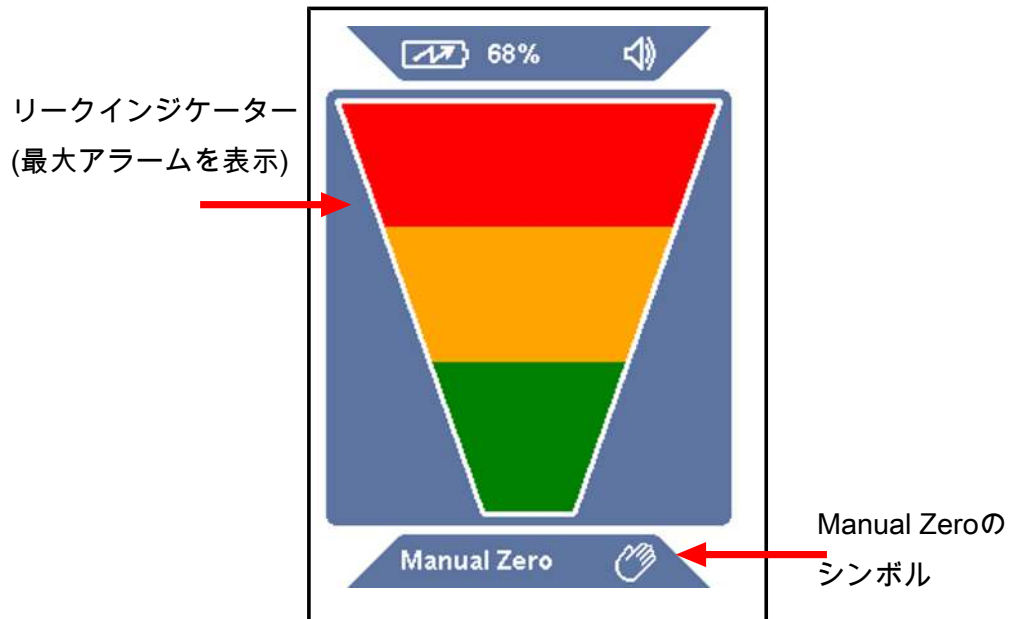


Pinpoint (特定) モードでは、D-TEK Stratusは、バックグラウンドの冷媒に対して自動ゼロ点調整を行い、より濃度の高い冷媒に対してのみアラームを鳴らします。この場合、より濃度の高い冷媒を探し続けるか、冷媒の濃度が低い領域に移動し数秒間待つことでゼロ点をリセットします。



感度の設定を切り替えるには、SENS/ZERO (感度/ゼロ点調整) ボタンを押します。大きなリークを調べる場合には、感度設定を下げることでリーク箇所を特定しやすくなります。現在の感度は、ボトムバーに表示されます。

11 Manual Zeroモード



Manual Zero (手動ゼロ点調整) モードの外観と動作はPinpoint (特定) モードと似ていますが、ボトムバーのManual Zeroという文字と、Manual Zero (手動ゼロ点調整) のシンボルにより区別されます。Manual Zero (手動ゼロ点調整) モードでは、SENS/ZERO (感度/ゼロ点調整) ボタンを押すことにより、バックグラウンドの冷媒を手動でゼロ点にすることができます。新しいゼロ点を設定した場合、D-TEK Stratusは冷媒の濃度がより高くない限り、アラームを鳴らしません。

Manual Zero (手動ゼロ点調整) モードのゼロ点では、他のモードよりもビープ音が速く鳴ります。もし現在の濃度がゼロ点よりも低い場合は、ビープ音は遅く鳴ります。ビープ音の変化により、リークから離れた場合に判断することができます。



Manual Zero (手動ゼロ点調整) モードでは感度の設定がありません。



Manual Zero (手動ゼロ点調整) モードでは、最適なパフォーマンスを発揮させるために、最大で15分の追加のウォームアップ時間を必要とします。

12 イヤホンと音量調整

ヘッドホンまたはイヤホンを使用して検出アラームを聴き取ることができるように、D-TEK Stratusの本体右側にヘッドホンジャックが用意されています。



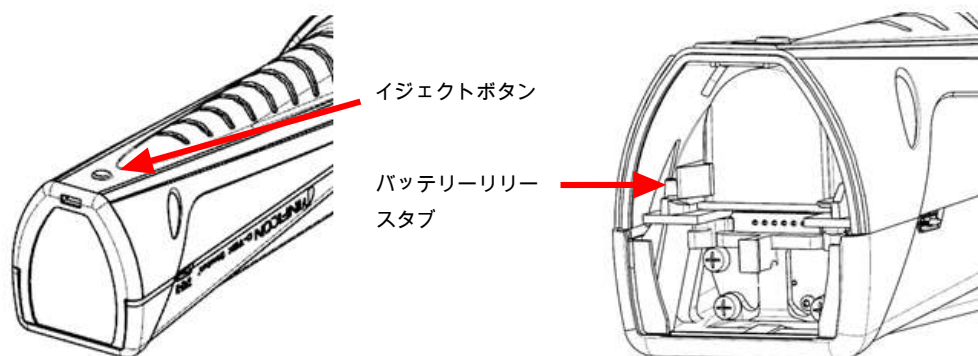
警告

INFICON製の付属品以外のヘッドホンを使用する場合には、聴力への損傷を防ぐため、事前にテストしてから使用してください。

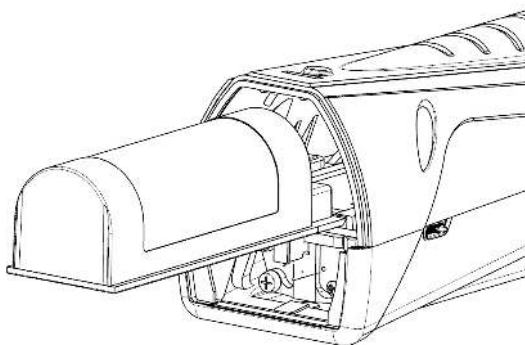
ヘッドホンジャックの隣には、ボリュームボタンがあります。ボリュームボタンを押すと、ボリューム設定を100%、50%、および消音に切り替えることができます。起動時のボリュームのデフォルト設定は100%です。ヘッドホンまたはイヤホンを接続したときは、オン/オフスイッチになり、音量100%と無音（ミュート）の切り換えになります。

13 リチウムイオンバッテリーの取り外しと取り付け

1. D-TEK Stratus の背面にあるイジェクトボタンを押して、バッテリー カバーを外します。



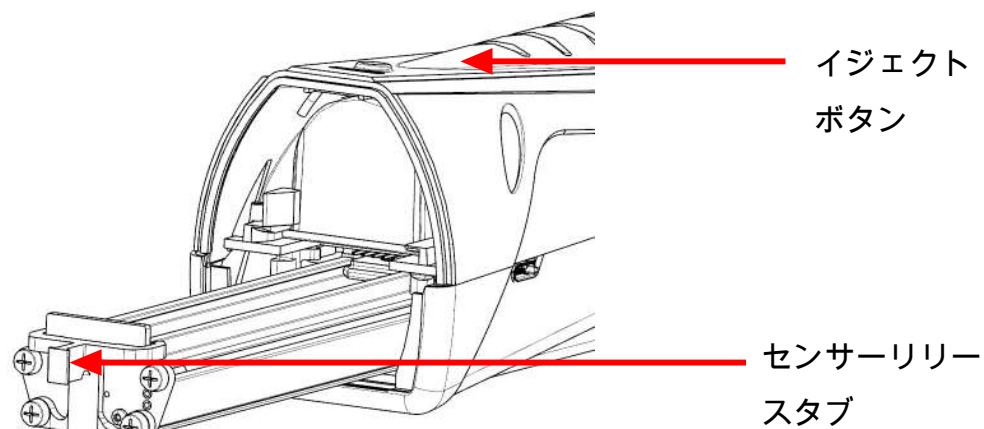
2. バッテリーリリーススタブを、バッテリーの端が出てくるまで横に動かします。バッテリーを外にスライドさせて取り出します。
3. バッテリーをレールに合わせます。



4. バッテリーリリーススタブがかみ合うまで、バッテリーをレールに沿って優しく押します。
⇒ バッテリーを強く押さないでください。バッテリーが自由にスライドしない場合は、位置合わせを確認し、もう一度試してください。
5. バッテリーカバーを取り付けます。

14 センサーの取り外しと取り付け

D-TEK Stratusはカートリッジ式のセンサーを使用しており、現場で手早く簡単に取り外しと交換ができます。INFICONでは、標準センサーに加え冷蔵機器・エアコンアプリケーション向けのCO2専用センサーも用意しています。部品とアクセサリーの交換 [▶ 213]を参照してください。

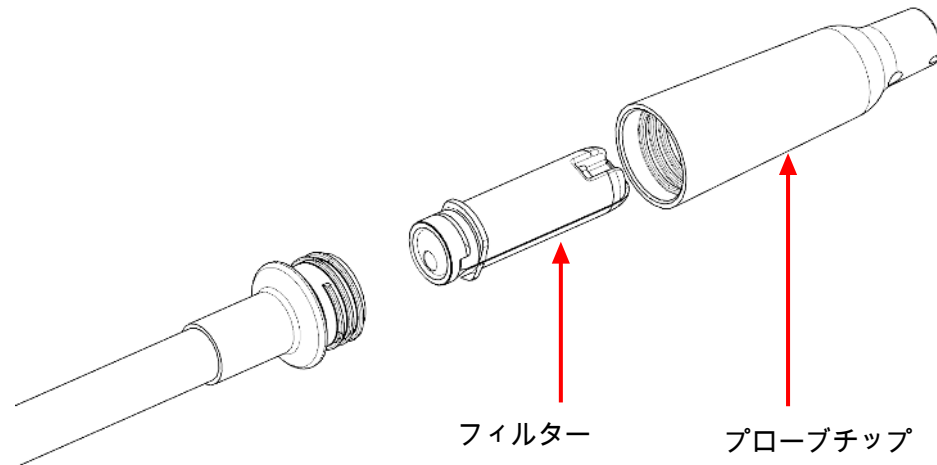


センサーの交換は、次の手順で行います。

1. D-TEK Stratusの背面にあるイジェクトボタンを押して、バッテリーカバーを外します。
2. センサーリリースタブを持って、センサーをゆっくりと引き出します。
3. 新しいセンサーをレールに合わせます。
4. 完全に挿入されるまで、センサーをレールに沿って優しく押し込みます。
⇒ センサーを強く押さないでください。自由にスライドしない場合は、位置合わせを確認し、もう一度試してください。
5. バッテリーカバーを取り付けます。

15 フィルターの交換

D-TEK Stratusは疎水性のフィルタカートリッジを使用しているため、空気と冷媒を通し、水、ほこり、油類は通しません。フィルターの白い布を確認し、フィルター交換の要否を判断してください。布の色が変化した場合は新しいフィルターを取り付けてください。フィルターの交換は、リークディテクターが冷媒を正しく検出していない場合のトラブルシューティングの一つです。フィルターが詰まっていると、サンプルの空気の流れが制限されます。



フィルターを水や油類に曝すと空気の流れが妨げられます。この場合、プローブを下向きにしてフィルターを取り外すことでプローブ内への汚染物質の浸入を防いだ後、新しいフィルターを取り付けてください。フィルターが湿っている場合は、乾燥させて再使用できます。



⚠ 注意

プローブチップおよびフィルタのない状態では、絶対に装置を使用しないでください。

フィルターの交換は、次の手順で行います。

1. プローブチップを回して外し、フィルターを取り外します。
2. 新しいフィルターをプローブチップに挿入します。
3. プローブチップを回して取り付けます。締め付けすぎないように注意してください。

16 ロングタイプのプローブ

D-TEK Stratusには、到達が困難な場所のリークチェックで使用するための、ロングタイプの交換プローブが含まれています。

ロングタイプのプローブの取り付けは、次の手順で行います。

1. 10 mmレンチを使用して標準プローブを回し、D-TEK Stratus本体から取り外します。
2. ロングタイプのプローブを回して取り付けます。トルクは約4 N·m (35 in·lb)です。締め付けすぎないように注意してください。
3. 標準プローブからプローブチップを回して外し、フィルターを取り外します(または新しいフィルターを使用します)。
4. フィルターをロングタイプのプローブに挿入します。
5. プローブチップを回してロングタイプのプローブに取り付けます。締め付けすぎないように注意してください。

17 ニードルプローブの延長

オプションのニードルプローブの延長アクセサリを使用することで、狭い場所や絶縁素材からのリークをチェックできます。このプローブは、絶縁素材の内部に容易に差し込み、小さなエリアに入れることができます。

ニードルプローブの延長アクセサリの取り付けは、次の手順で行います。

1. プローブチップを回して外します。 フィルターはそのままにしておきます。
2. 新しいフィルターをプローブチップに挿入します。
3. プローブチップを回して取り付けます。 締め付けすぎないように注意してください。

18 オプションセンサ

CO₂用 (PN 724-701-G2) および可燃性冷媒用 (PN 724-701-G3) のオプションセンサが用意されています。CO₂用センサまたは可燃性冷媒用センサを使用するには、「センサーの取り外しと取り付け [▶ 207]」の手順に従って、標準センサを取り外して新しいセンサを取り付けます。D-TEK Stratusによってセンサのタイプが自動的に認識され、そのセンサが取り付けられている間は、センサのタイプを示す色がモードインジケータに表示されます。緑色はCO₂センサが取り付けられていることを、赤色は可燃性冷媒センサが取り付けられていることを、橙色は標準冷媒センサが取り付けられていることを示します。



D-TEK Stratusによって可燃性冷媒センサが認識されない場合は、INFICONにお知らせください。ソフトウェアテストを手配させていただきます。



水素（フォーミングガスを含む）は可燃性冷媒センサによって検出されません。



CO₂のリーク検査を実施するときは、呼吸用保護具またはマスクを使用して、呼吸に含まれるCO₂がプローブに影響を与えないようにすることを推奨します。



警告

高濃度のCO₂または冷媒への曝露は危険であり人命を危険にさらすことがあります。

本製品を、毒性の強い、または危険な環境で使用することはできません。本製品器は、身体の保護装置でも救命装置でもありません。潜在的な毒性や危険性が存在する環境では、特に注意する必要があります。



警告

本製品は、本質的な安全性を備えているものではないため、爆発性のあるガス、粉塵、または化学薬品が存在する環境で使用することはできません。可燃性冷媒の濃度が爆発下限 (LEL) に近い環境で使用すると、死傷事故や物的損害を伴う爆発や火災の原因になる可能性があります。

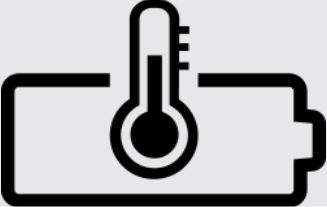
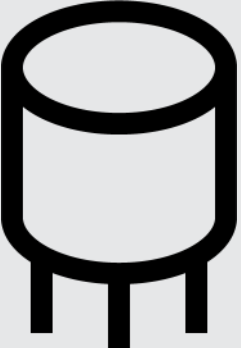
19 清掃と保管

D-TEK Stratusの清掃は中性洗剤またはイソプロピルアルコールで行う必要があります。機器に洗剤が入り込まないように注意してください。ガソリン、アセトン、またはプラスチックやディスプレイに損傷を与える作用の強い溶剤は使用しないでください。

20 部品とアクセサリーの交換

交換用プラスチックキャリングケース _replacement carrying case	724-700-G1
イヤホン_earbuds	721-607-G1
12 V (直流)自動車用充電器_12V (dc) car charger	721-605-G1
AC充電器(各国対応のプラグ同梱)_AC wall charger	721-606-G1
リチウムイオンバッテリー_lithium ion battery	721-702-G1
バッテリー充電器_battery charging cradle	721-610-G1
バッテリー/充電器セット_battery/ charging cradle combination	721-604-G1
標準センサー(CFC、HCFC、HFC、HFO、お よびその混合物(微 燃性冷媒含む)を検 出)_standard sensor	724-701-G1
CO ₂ センサー_CO ₂ sensor	724-701-G2
可燃性冷媒 (HC) センサ	724-701-G3
フィルタカートリッジ(5個セッ ト)_filter cartridges (quantity, 5)	712-707-G1
交換用プローブキャップ_replacement probe cap	712-705-G1
ニードルプローブの延長アクセサリ _needle probe extension	721-612-G1
ロングタイプのプローブ_extra-long probe	721-611-G1
TEK-Check R134a校正リーク_TEK-Check R134a test leak	703-080-G10

21 トラブルシューティング

問題	原因	解決法
次のシンボルが表示: 	バッテリーエラー。バッテリーの故障、誤った取り付け、または接触不良により発生します。	バッテリーを取り外し、再度取り付けてください。問題が解決しない場合、バッテリーを交換してください。リチウムイオンバッテリーの取り外しと取り付け [▶ 206]を参照してください。
次のシンボルが表示: 	バッテリー温度が適切な範囲を外れており、充電を適切に行えません。	バッテリーを規定の温度に戻してください。
次のシンボルが表示: 	センサーエラー。センサーの故障、誤った取り付け、または接触不良により発生します。	センサーを取り外し、再度取り付けてください。問題が解決しない場合、センサーを交換してください。センサーの取り外しと取り付け [▶ 207]を参照してください。
電源ボタンを長押ししてもディスプレイがオンしない。	バッテリーレベルが極端に低くなっています。	バッテリーを充電するか、装置を充電器に接続してください。
装置はオンするが、冷媒を検出しない。	フィルターが詰まっているため、空気の流れが制限されています。	ウォームアップが完了するのを待ちます。これには45～90秒かかります。
	フィルタが詰まっているため、エアフローが十分ではありません。	フィルターカートリッジを交換します。してください。フィルターの交換 [▶ 208]を参照してください。
	ポンプが故障しています。	ポンプの動作音を確認します。ポンプの作動音が無く、バッテリーは適切に充電されている場合は、INFICONにお問い合わせください。
	感度の設定が低すぎます (Pinpoint (特定) モードのみ)。	感度レベルを確認します。非常に小さいリークの場合は、 High (高感度) または Super (超高感度) を使用する必要があります。
	不適当なセンサーの取り付けられています。	正しいセンサーが取り付けられているか確認します (冷媒センサーまたは CO ₂ センサー)。
	参照サンプルが汚染されています (Cloud Hunting (ポータブルモニター) モード)。	Cloud Hunting (ポータブルモニター) モードの D-TEK Stratus を清浄な空気内で5分間動作させます。
清浄な空気内でもアラームが鳴る。	排気ポートが塞がれています。	排気ポートが覆われていないことを確認します。

問題	原因	解決法
	不適當なセンサーの取り付けられています。	CO ₂ センサーではなく、冷媒センサーが取り付けられていることを確認します。
汚染されている場所でも、ppmがゼロになる。	参照サンプルが汚染されている可能性があります。	Cloud Hunting (ポータブルモニター) モードのD-TEK Stratusを清浄な空気内で5分間動作させます。
ポンプから音がしない。	ポンプが故障しています。	バッテリーが適切に充電されている場合は、INFICONにお問い合わせください。

22 保証と責任制限

INFICONは、D-TEK Stratus冷媒リークディテクターおよびポータブルモニターに対し、購入日より1年または2年間(地域によって異なります)、材料や技量に瑕疵なきことを保証します。INFICONでは、バッテリー、センサー、およびフィルターを含め、通常の使用による劣化については保証を行いません。また、INFICONは、誤用や過失、事故を受けた装置、および INFICON以外により修理または改造された装置については保証を行いません。INFICONの責任は、保証期間終了より30日を越えることなく、輸送費前払いにてINFICONに返送され、かつ不具合が材料または技量の瑕疵により発生したとINFICONが判断した装置に限られます。INFICONの責任は、瑕疵のあった装置または部品の修理または交換に限られます。この保証は、明示または黙示、商品適合性、特定目的適合性またはこれら以外の全ての保証に代わるものとしません。他の一切の保証は明示的に否認されます。INFICONの責任は、INFICONに支払われた装置の費用に返送時の輸送費前払いを加えた金額を超えないものとします。INFICONは、いかなる偶発損害、結果損害に対して責任を負わないものとします。このようなすべての責任を除外します。

23 保証または修理のための装置の返送

保証の確認または保証対象外の修理については、販売業者までお問い合わせください。装置を直接INFICONに返送しないでください。保証または修理のためにINFICONに返送するすべての機器と部品は、適切に梱包した状態で、保険付きの輸送費前払いとし、返送前に返品許可番号(Return Material Authorization、RMA)が発行されている必要があります。RMA番号は、すべての出荷ラベルと梱包票に記載してください。サポートが必要な際は、INFICON代理店までお問い合わせください。ご不明な点につきましては、INFICON (800-344-3304)、または現地のINFICON営業所までお問い合わせください。

Содержание

1 Декларация соответствия	219
2 Предотережения и меры предосторожности	220
3 Характеристики	222
4 D-TEK Stratus	225
5 Что такое Cloud Hunting?	227
6 Зарядка аккумулятора	228
7 Включение прибора и подготовка к использованию	229
8 Компоновка экрана и символы	230
9 Использование режима Cloud Hunting (портативный монитор).....	232
10 Использование режима точного определения	234
11 Режим Manual Zero	236
12 Наушники и управление громкостью.....	237
13 Извлечение и установка литий-ионного аккумулятора.....	238
14 Снятие и установка датчика	239
15 Замена фильтров.....	240
16 Очень длинный зонд.....	241
17 Удлинитель зонда-иглы.....	242
18 Опциональные датчики	243
19 Чистка и хранение	244
20 Детали для замены и принадлежности.....	245
21 Руководство по устранению неполадок.....	246
22 Гарантия и ограничение ответственности.....	249
23 Возврат прибора по гарантии или на ремонт	250

1 Декларация соответствия



**ДЕКЛАРАЦИЯ О
СООТВЕТСТВИИ
НОРМАМ
ЕС**

Ответственность за выдачу настоящей декларации лежит исключительно на производителе INFICON. Цель декларации – подтвердить, что настоящее оборудование, разработанное и произведенное::

INFICON Inc.
Two Technology Place
East Syracuse, NY 13057
USA

соответствует применимому законодательству о гармонизации стандартов Сообщества. Оно было изготовлено при добросовестном соблюдении требований по безопасности, действующих в Сообществе, и не подвергает опасности людей, домашних животных или собственность при условии правильной установки, обслуживания и использования в соответствии с областью применения, для которой оно предназначено.

Описание оборудования:	Портативное устройство для определения утечки хладагента с функцией мониторинга D-TEK Stratus	
Номер модели:	724-20x-Gxx	(применим для всех номеров групп)
Применимые директивы:	2014/35/EC	Директива о низковольтном оборудовании
	2014/30/EC	Директива об электромагнитной совместимости
	2011/65/EC	с поправками, внесенными в соответствии с 2015/863/EC RoHS
	2006/66/EC	с поправками, внесенными в соответствии с директивой об аккумуляторах 2013/56/EC
Применимые стандарты:		
Безопасность:	EN 61010-1:2010	Безопасность электрических контрольно-измерительных приборов и лабораторного оборудования.
	EN 62133:2013	Общие требования
	UL 2054	Требования безопасности для портативных герметичных аккумуляторов и батарей из них при портативном применении. Сертификат СБ МЭКСЭ DK-73443-UL
	UL 60950-1 & CAN/CSA-C22.2 No. 60950-1-07	Сертификат безопасности по стандартам UL для аккумуляторов, предназначенных для бытовых и коммерческих устройств 20180518-MH29443
	UN 38.3	Стандарт UL. Оборудование информационных технологий. Требования безопасности. Часть 1: Общие требования. Сертификат 20180518-MH294
	EN 61326-1:2013	Руководство ООН по испытаниям и критериям, часть III, подраздел 38.3. Безопасная транспортировка литий-ионных аккумуляторных батарей
Излучения:	CISPR 11/EN 55011:2009 (+A1:2010)	Редакция 2.0 (Испускаемые, передаваемые и гармонические виды излучения) (Электромагнитная совместимость – оборудование для измерения, управления и лабораторного применения)
	EN 61326-1:2013	Стандарт излучения для промышленного, научного и медицинского радиочастотного оборудования, класс А
Помехоустойчивость:	EN 61326-1:2013	Редакция 2.0 (Электромагнитная совместимость – оборудование для измерения, управления и лабораторного применения) Устойчивость согласно табл. А.1 – Портативное оборудование для испытаний и измерений

Соответствие RoHS Соответствует

Дата внедрения CE: 7 мая 2019 г.

Уполномоченный представитель:

Brian King
INFICON
Генеральный директор – Сервисные инструменты
Two Technology Place
East Syracuse, NY USA 13057

Уполномоченный представитель ЕС

INFICON GmbH
50968 Köln, Bonner Str. 498

С ЛЮБЫМИ ВОПРОСАМИ ОТНОСИТЕЛЬНО НАСТОЯЩЕЙ ДЕКЛАРАЦИИ, А ТАКЖЕ БЕЗОПАСНОСТИ ИЗДЕЛИЙ INFICON СЛЕДУЕТ ОБРАЩАТЬСЯ К УПОЛНОМОЧЕННОМУ ПРЕДСТАВИТЕЛЮ ИЛИ ПО АДРЕСУ, УКАЗАННОМУ ВЫШЕ.

2 Предотережения и меры предосторожности

Предостережения

- Используйте только сертифицированное зарядное устройство/кабель с выходом 5 В (пост. тока) $\pm 5\%$, 1 А $\pm 5\%$.
- Не используйте устройство в местах со сверхвысокой или сверхнизкой температурой.
- Не подвергайте аккумулятор воздействию влаги.
- Не используйте устройство, если заметите, что аккумулятор поврежден.
- Не разбирайте аккумулятор и не пытайтесь изменить его конструкцию.
- Транспортировка и утилизация аккумулятора должны осуществляться в соответствии с местными нормативными требованиями.
- Если зарядка не завершилась по истечении указанного времени, ее необходимо немедленно прекратить.
- Во время зарядки не оставляйте аккумулятор без присмотра.
- После полной зарядки аккумулятора отключите зарядное устройство.
- Использование или утилизация литий-ионных аккумуляторов ненадлежащим образом может стать причиной пожара.
- Данный прибор не предназначен для использования в пожароопасных средах.
- В зонах с высокочастотными помехами может подаваться ложный сигнал тревоги.



ОСТОРОЖНО

Данный символ используется для предупреждения пользователя о наличии важных инструкций по эксплуатации и техническому обслуживанию (ремонту) в документации, прилагаемой к данному прибору.

**⚠ ОСТОРОЖНО**

Высокая концентрация CO₂ или хладагента опасна и может представлять угрозу для жизни.

Прибор не предназначен для применения в токсичных или опасных средах. Он не является средством индивидуальной защиты или средством пассивной безопасности. В средах, которые потенциально могут быть токсичными или опасными, всегда следует соблюдать особую осторожность.

**⚠ ОСТОРОЖНО**

Данный прибор не является искробезопасным и не должен эксплуатироваться в средах, где присутствуют взрывоопасные газы, взрывоопасная пыль и прочие взрывоопасные вещества. Эксплуатация в средах с концентрацией легковоспламеняющегося хладагента, близкой к нижнему пределу взрываемости (LEL), может привести ко взрыву или пожару и, как следствие, к серьезным травмам и материальному ущербу.

3 Характеристики

Использование	в помещении/на улице
Тип датчика	инфракрасный
Поддерживаемые хладагенты	все хлорфторуглероды, гидрохлорфторуглероды, гидрофторуглероды, гидрофторолефины, смеси (включая A2L) и CO ₂ ¹
Минимальная чувствительность (режим точного определения, суперчувствительность)	1 г/год (0,03 унций/год) ²
Разрешение дисплея (режим Cloud Hunting)	1 промилле
Диапазон дисплея (режим Cloud Hunting)	0-9999 промилле
Точность (режим Cloud Hunting, относительно чистого воздуха, R134a)	±1 промилле ±10% от показания
Тип аккумулятора	литий-ионный
Тип входа для зарядки	micro USB
Время зарядки (начиная с 0%)	около 3 часов
Время работы на аккумуляторной батарее	около 8 часов (Cloud Hunting) около 10 часов (Pinpoint)
Напряжение на входа	5 В (пост. тока) ±5%
Потребляемый ток	1 А ±5%
Время прогрева	45-90 с
Температурные диапазоны и влажность	
• Хранение	-20-60°C (-4-140°F)
• Во время работы ³	-20-50°C (-4-122°F)
• Зарядка	0-45°C (32-113°F)
• Влажность	макс. 95% относительной влажности без конденсации
Высота над уровнем моря	2000 м (6500 футов)
Степень загрязненности	2
Категория перенапряжения	2

Вес (с аккумулятором; не включая футляр для переноски или принадлежности)	0,50 кг (1,10 фунта)
---	----------------------

¹ Для распознавания CO₂ требуется датчик CO₂.

² Чтобы обеспечить оптимальную работу и указанные уровни чувствительности, рекомендуется включить D-TEK Stratus за 15 минут до использования.

³ Следует избегать использования при температуре ниже 0 °C (32 °F). Перед началом использования в средах с низкой температурой рекомендуется прогрев в течение более продолжительного времени.

Таблица характеристик соответствует EN 14624

	R134a	R1234yf
Минимальная чувствительность, фиксированная (статическая)	1 г/год	0,5 г/год
Максимальная чувствительность, фиксированная (статическая) ⁴	>50 г/год	>50 г/год
Минимальная чувствительность, подвижная (динамическая)	1 г/год	1 г/год
Максимальная чувствительность, подвижная (динамическая) ⁴	>50 г/год	>50 г/год
Минимальное время реагирования/распознавания	<1 с	<1 с
Время обнуления	1-4 с	1-4 с
Время восстановления для воздействия 50 г/год ⁵	7,6 с	6,4 с
Минимальная чувствительность в загрязненной среде	>2 г/год	1 г/год
Периодичность калибровки	Ежегодная проверка с использованием калиброванного стандарта утечки	

⁴ Верхний предел распознавания утечки не указан компанией INFICON, поскольку верхнее ограничение размера утечки, распознаваемого детектором, не существует.

⁵ Поскольку стандарта утечки 50 г/год Ввиду отсутствия во время тестирования, вместо него использовался стандарт утечки 32 г/год.

Работы по SAE

Стандарты SAE J2791 (R-134a) и J2913 (R-1234yf) определяют чувствительность для следующих размеров утечки согласно приведенным далее настройкам. Суперчувствительность соответствует более высокому уровню, чем требуется по стандарту SAE для проверки наличия утечек в чистой среде (без

фоновой концентрации хладагента). Если проверка на наличие утечек выполняется в загрязненной среде (с высокой фоновой концентрацией хладагента), выберите режим суперчувствительности

Степень утечки R-134a (г/год)	Степень утечки R-1234yf (г/год)	Параметр чувствительности
14	14	низкая
7	7	средняя
4	4	высокая

В следующей таблице перечислены некоторые содержащиеся под капотом химические вещества и показано, приводят ли они к ложному срабатыванию детектора D-TEK Stratus.

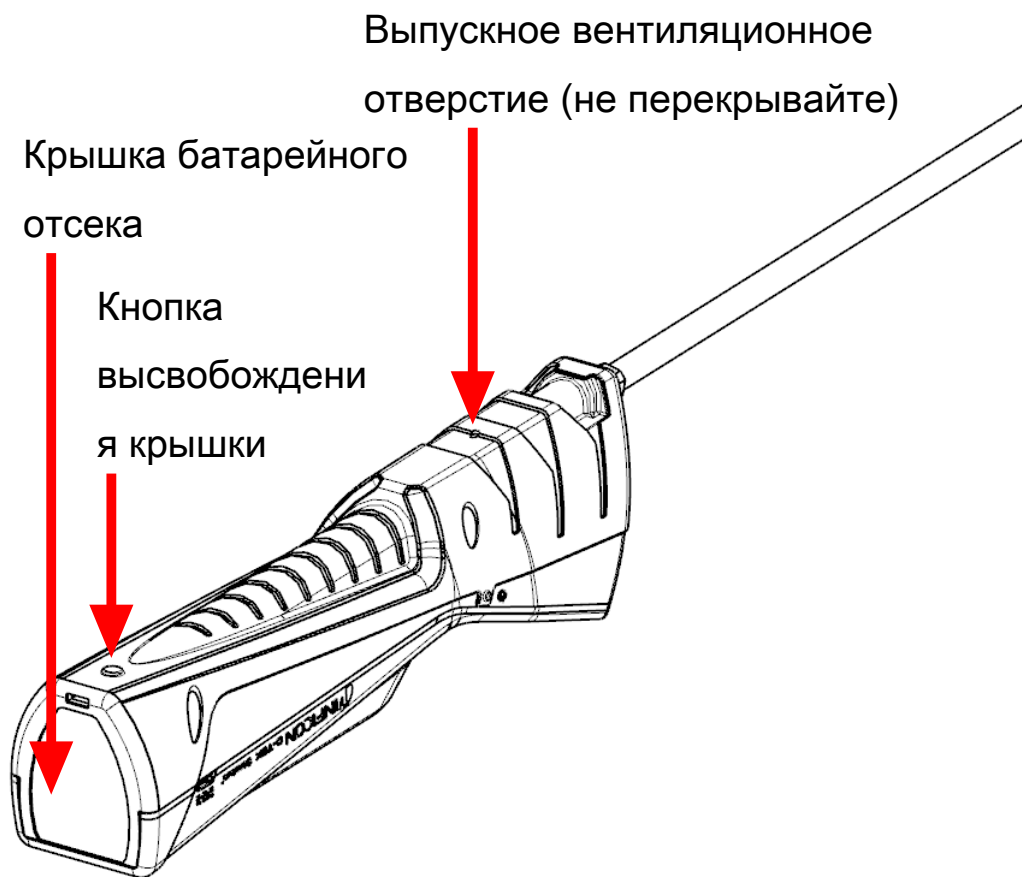
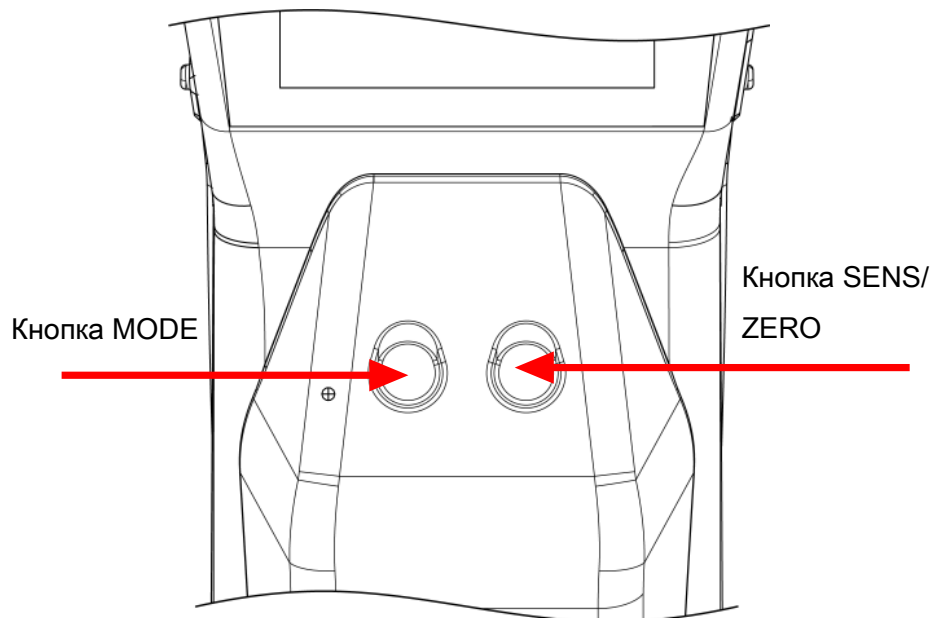
Проверку на наличие утечек необходимо выполнять при выключенном двигателе.

Химическое вещество	Ложное срабатывание
раствор стеклоомывателя лобового стекла (на основе метанола)	да
Средство для удаления пятен и загрязнений Ford™	да
Преобразователь и ингибитор ржавчины Ford	да
Адгезив для уплотняющих прокладок и элементов отделки Ford	да
Натуральный синий очиститель/обезжириватель Permatex™	да
Средство для очистки деталей тормозов Ford	да
Спрей для очистки карбюратора во время регулировки Ford	да
Прозрачный силиконовый каучук Ford	да
Антифриз/охлаждающая жидкость Motorcraft™ G-05	нет
Жидкий гаечный ключ Gunk™	нет
Пемза/средство для мытья рук Ford	нет
Тормозная жидкость Ford Motorcraft DOT3	нет
Силиконовая смазка Ford	нет
Жидкость для АКПП Dexron™	нет
минеральное моторное масло	нет

Патенты (поданы заявки)

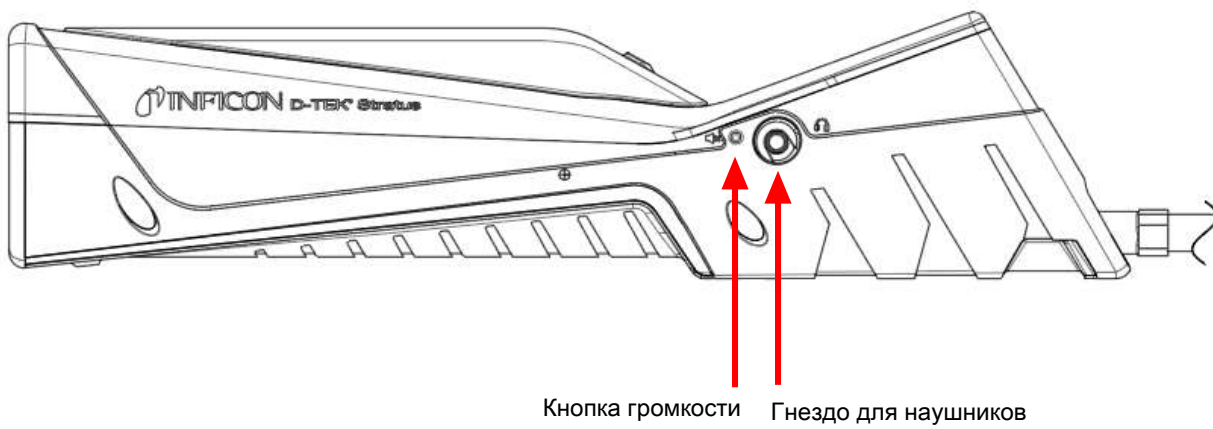
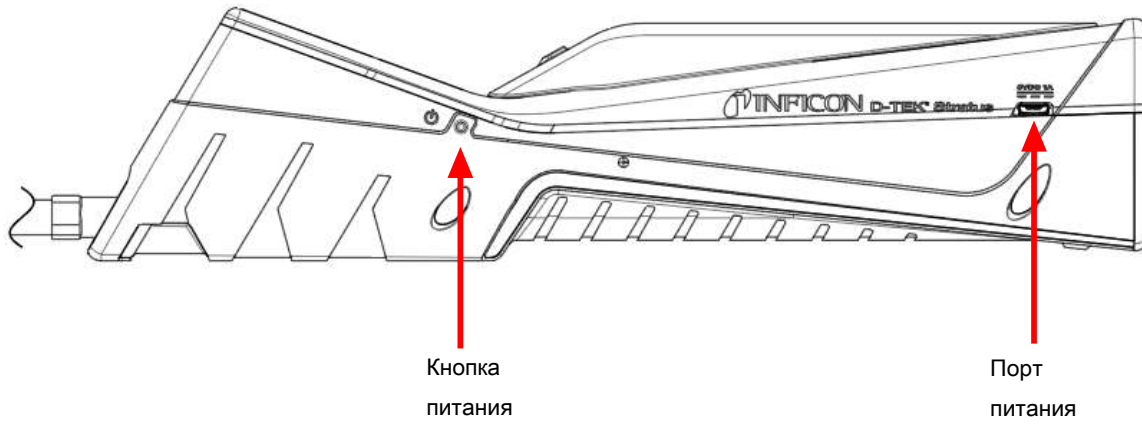
- заявка #10 2018 206 877.1
- заявка #18171080.7
- заявка # 10 2018 208 826.8

4 D-TEK Stratus



Русский

Русский



Русский

Русский

5 Что такое Cloud Hunting?

Когда в системе существует утечка хладагента, он неравномерно рассеивается в воздухе. Концентрация хладагента обычно выше вблизи источника утечки. Плотность хладагентов также отличается от плотности воздуха, поэтому он часто образует в воздухе «облака», которые обычно расположены рядом с поверхностью пола. Для большинства хладагентов эти облака не имеют ни цвета, ни запаха. При проверке наличия утечки с помощью традиционного детектора он чаще всего выдает сигнал при попадании в облако хладагента. Это не помогает найти утечку, поскольку облако может находиться далеко от источника утечки.

В детекторе D-TEK Stratus используется технология, по которой подана заявка для получения патента, отображающая концентрацию хладагента в воздухе в частях на миллион (ppm). Это позволяет искать области повышенной концентрации, глядя на отображаемые на дисплее значения, и выйти прямо к источнику утечки.

6 Зарядка аккумулятора

В детекторе D-TEK Stratus используется литий-ионная аккумуляторная батарея, которая частично заряжена на момент поставки. Компания INFICON рекомендует зарядить аккумулятор перед использованием. С помощью входящего в комплект зарядного устройства или стойки для зарядки полностью разряженный аккумулятор можно зарядить до уровня 80% около 2 часов и до 100% около 3 часов. Полной зарядки обычно хватает примерно на от 8 до 10 часов работы в зависимости от используемого режима и температуры эксплуатации. Индикатор на экране показывает оставшийся процент заряда.



Устройство D-TEK Stratus можно использовать во время зарядки.

7 Включение прибора и подготовка к использованию



Если экран не включается, значит, аккумулятор разряжен, и его необходимо зарядить. Устройство D-TEK Stratus можно использовать во время зарядки.

1. Чтобы включить или выключить устройство D-TEK Stratus нажмите и удерживайте кнопку питания (с левой стороны на корпусе прибора).
 - ⇒ Начнется прогрев устройства D-TEK Stratus, который продлится от 45 до 90 секунд. По завершении прогрева устройство D-TEK Stratus будет готово к использованию.
2. Для переключения режима нажмите кнопку **MODE** (РЕЖИМ). Ее нажатие обеспечивает переключение между режимами Cloud Hunting, точного определения и Manual Zero.



Устройство D-TEK Stratus всегда включается в том режиме, который использовался последним.



ОСТОРОЖНО

Не перекрывайте выпускное вентиляционное отверстие.

Перекрытие выпускного вентиляционного отверстия может привести к ложным сигналам или неверным показаниям.

8 Компонировка экрана и символы

На экране дисплея D-TEK Stratus отображаются все индикаторы и информация. Дисплей состоит из верхней строки, основного дисплея и нижней строки.










Верхняя строка: В верхней строке отображается символ аккумулятора, процент зарядки, индикатор датчика (если используется датчик нестандартного типа), а также индикатор звука.

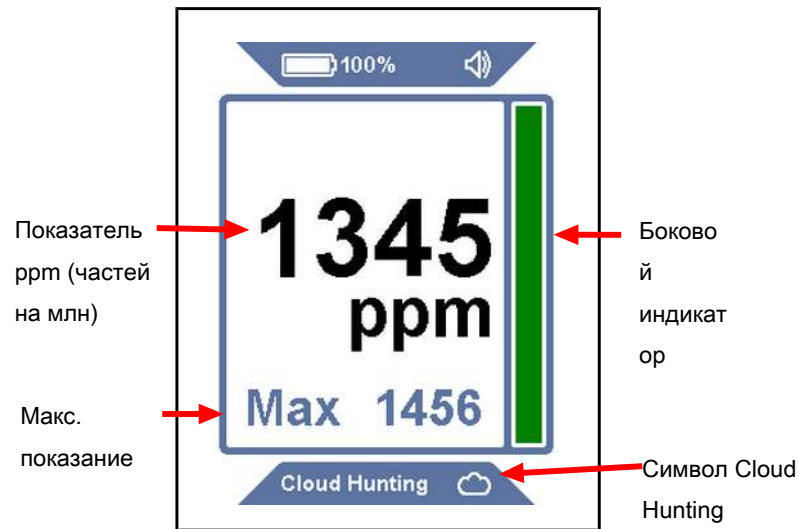
Символ	Описание
	заряд аккумулятора равен 75-100%
	заряд аккумулятора равен 50-74%
	заряд аккумулятора равен 30-49%
	заряд аккумулятора равен 10-29%
	заряд аккумулятора равен <10%
	Аккумуляторная батарея заряжается
	Уровень громкости – 100 % (по умолчанию)
	Уровень громкости – 50 %
	Звук отключен
CO2	Установлен датчик CO ₂

Основной дисплей: На основном дисплее отображается информация, которая требуется для проверки наличия утечек. На основном дисплее отображается значение частей на миллион для режима Cloud Hunting и индикаторы утечки для режимов точного определения и Manual Zero.

Нижняя строка: В нижней строке отображается текущий режим, а также символ индикатора режима. Кроме того, отображается уровень чувствительности для режима точного определения.

Сим-вол	Описание
	Указатель режима Cloud Hunting
	Указатель режима точного определения
	Указатель режима Manual Zero
	чувствительность = суперчувствительность (Super) (отображается только в режиме точного определения)
	чувствительность = высокая (High) (отображается только в режиме точного определения)
	чувствительность = средняя (Medium) (отображается только в режиме точного определения)
	чувствительность = низкая (Low) (отображается только в режиме точного определения)

9 Использование режима Cloud Hunting (портативный монитор)



Когда выбран режим Cloud Hunting на дисплее крупно отображается значение частей на миллион, а в нижней части отображаются слова Cloud Hunting (Поиск облака), а также символ облака. Боковой индикатор увеличивается и уменьшается при изменении значения ppm.



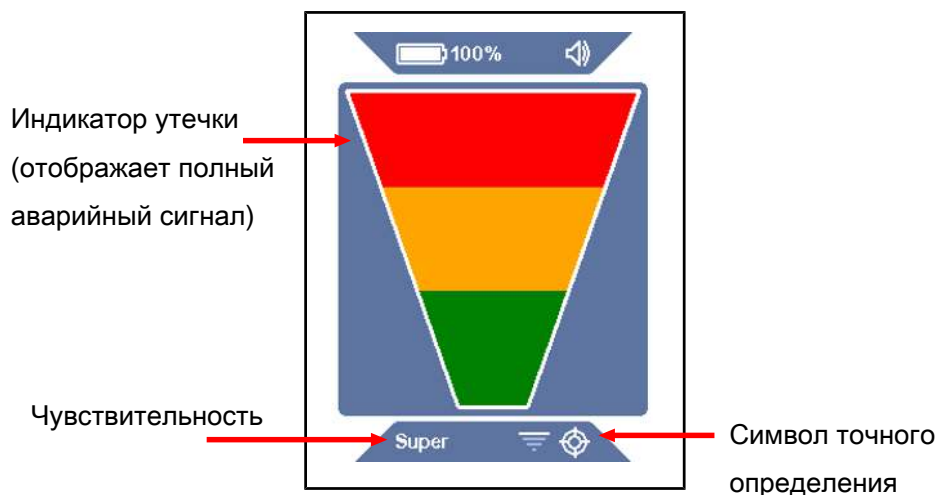
Для режима Cloud Hunting настройка чувствительности не предусмотрена.

1. Медленно исследуйте подозрительные участки, следя за показателем ppm (частей на млн).
2. Отслеживайте показатель ppm (частей на млн), чтобы отыскать участки с наибольшей концентрацией хладагента. Чем выше показатель, тем выше концентрация.
3. Нажмите кнопку **SENS/ZERO** (ЧУВСТВ./НОЛЬ), чтобы включить/отключить функцию **MAX** (МАКС.). Когда включена эта функция, под основным показателем количества частей на миллион отображается самое высокое из полученных значений показателя. Для сброса максимального значения нажмите и удерживайте кнопку **SENS/ZERO** (ЧУВСТВ./НОЛЬ) или выключите эту функцию, а затем



D-TEK Stratus использует переключающий клапан, в процессе получения патента, в режиме Cloud Hunting для постоянного сравнения образца на конце зонда с воздухом внутри корпуса детектора утечек (эталонный образец). Именно благодаря этой технологии устройство D-TEK Stratus может работать без угольного фильтра. Нахождение устройства вблизи участка с высокой концентрацией хладагента может привести к загрязнению эталонного образца хладагентом, в результате чего значение ppm снижается в сторону нуля. В этом случае вернитесь на несколько минут в место с чистым воздухом (когда выбран режим Cloud Hunting), чтобы эталонный образец снова стал чистым.

10 Использование режима точного определения



В режиме точного определения на дисплее отображается большой индикатор утечки, а также символ прицела в нижней строке. В нижней строке также отображается текущий уровень чувствительности. Этот режим работает как стандартный детектор утечек с автоматическим обнулением, когда при обнаружении утечки загорается индикатор.

1. Поместите наконечник зонда устройства D-TEK Stratus как можно ближе к месту предполагаемой утечки (не перекрывайте поток воздуха).
2. Медленно проведите зондом над каждой вероятной точкой утечки.
 - ⇒ При обнаружении утечки устройство D-TEK Stratus выдаст звуковой сигнал и загорятся индикаторы на экране.
3. Обнаружив утечку, отведите зонд от зоны утечки на несколько секунд, а затем верните его обратно, чтобы подтвердить наличие утечки.

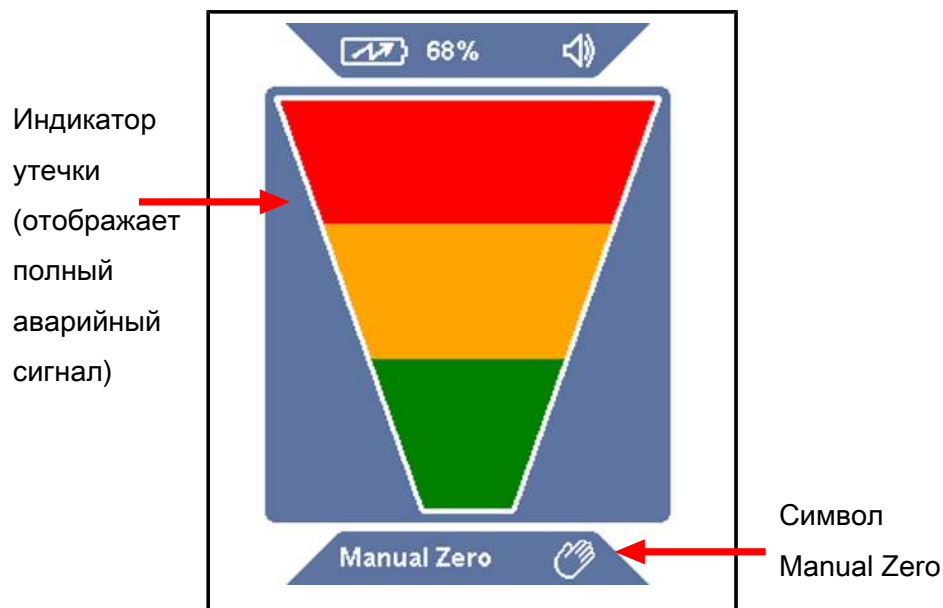


В режиме точного определения устройство D-TEK Stratus автоматически выполняет обнуление до фоновой концентрации хладагента и впоследствии выдает звуковые сигналы предупреждения только при более высоких концентрациях хладагента. Когда такое произойдет, продолжите поиск участка с более высокой концентрацией хладагента или переместите зонд на несколько секунд в зону с его менее высокой концентрацией, чтобы выполнить сброс нулевой точки.



Нажмите кнопку **SENS/ZERO**, чтобы переключить настройку чувствительности. В случае большой утечки точное ее место проще определить, используя настройку низкой чувствительности. Текущий уровень чувствительности отображается в нижней строке.

11 Режим Manual Zero



Режим Manual Zero выглядит и работает аналогично режиму точного определения, только при этом в нижней строке отображается текст **Manual Zero** (обнуление вручную) и символ Manual Zero. В режиме Manual Zero пользователь имеет возможность вручную обнулить его до фонового уровня хладагента, нажав кнопку **SENS/ZERO** (ЧУВСТВ./НОЛЬ). Когда будет задана новая нулевая точка, устройство D-TEK Stratus не будет выдавать сигнал предупреждения до тех пор, пока не будет обнаружена более высокая концентрация хладагента.

В режиме Manual Zero звуковые сигналы звучат чаще в нулевой точке, чем в других режимах. Если концентрация ниже, чем в текущей нулевой точке, то частота звуковых сигналов становится ниже. Таким образом, пользователь по изменению частоты звуковых сигналов понимает, что он удаляется от места утечки.



Для режима Manual Zero настройка чувствительности не предусмотрена.



Для оптимальной работы в режиме Manual Zero требуется дополнительное время прогрева устройства до 15 минут.

12 Наушники и управление громкостью

С правой стороны D-TEK Stratus имеется гнездо для наушников для прослушивания сигналов тревоги.



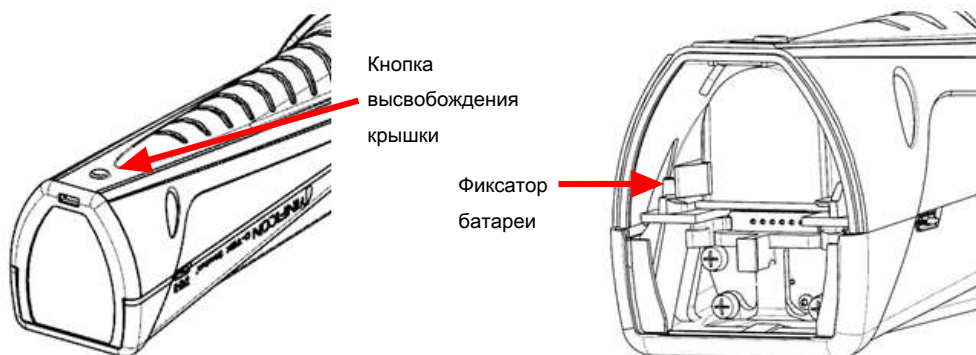
ОСТОРОЖНО

В случае использования наушников, отличных от тех, которые предоставлены компанией INFICON, обязательно внимательно проверьте их, чтобы предотвратить повреждение слуха.

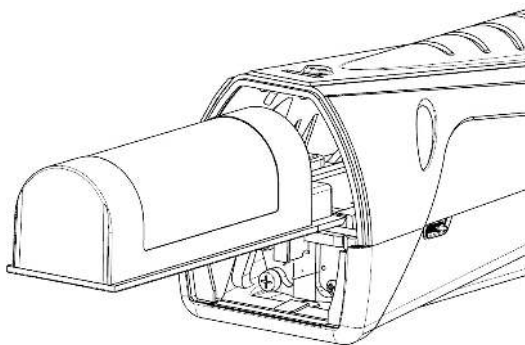
Кнопка регулировки уровня громкости находится рядом с гнездом для наушников. Нажмите кнопку регулировки громкости, чтобы изменить уровень громкости с 100% до 50% и полного отключения звука. При включении устройства по умолчанию устанавливается уровень громкости 100%. При подключении наушников громкость переключается между двумя режимами: 100% и без звука.

13 Извлечение и установка литий-ионного аккумулятора

1. Нажмите кнопку извлечения на задней панели устройства D-TEK Stratus и снимите крышку батарейного отсека.



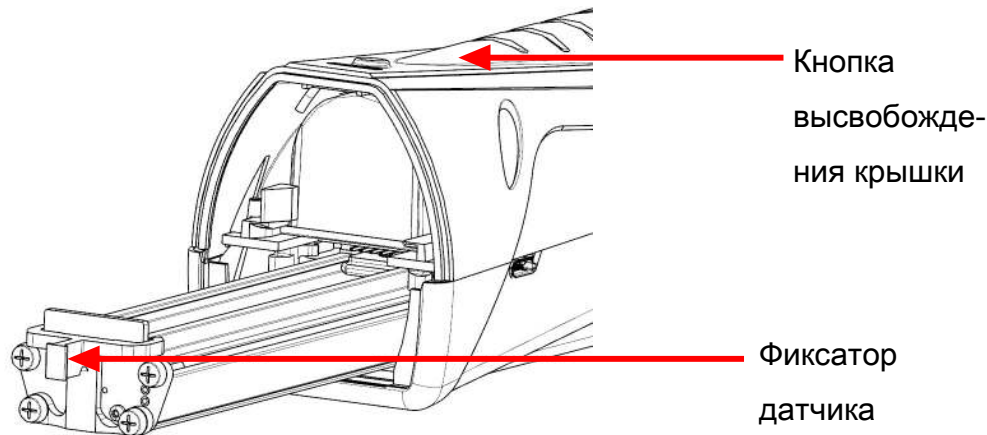
2. Выньте аккумулятор, отведя в сторону фиксатор, чтобы аккумулятор выдвинулся. Извлеките аккумулятор.
3. Выверните аккумулятор по направляющим.



4. Аккуратно вставьте аккумулятор по направляющим до срабатывания фиксатора.
⇒ Не давите на аккумулятор слишком сильно. Если он не вставляется, выровняйте его и повторите попытку.
5. Верните крышку батарейного отсека на место.

14 Снятие и установка датчика

В устройстве D-TEK Stratus используется датчик в виде картриджа, который можно легко вынуть и заменить на месте эксплуатации. Кроме стандартного датчика компания INFICON предлагает специальный датчик определения CO_2 , который предназначен для диагностики утечек в холодильном оборудовании и кондиционерах. См. Детали для замены и принадлежности [▶ 245].

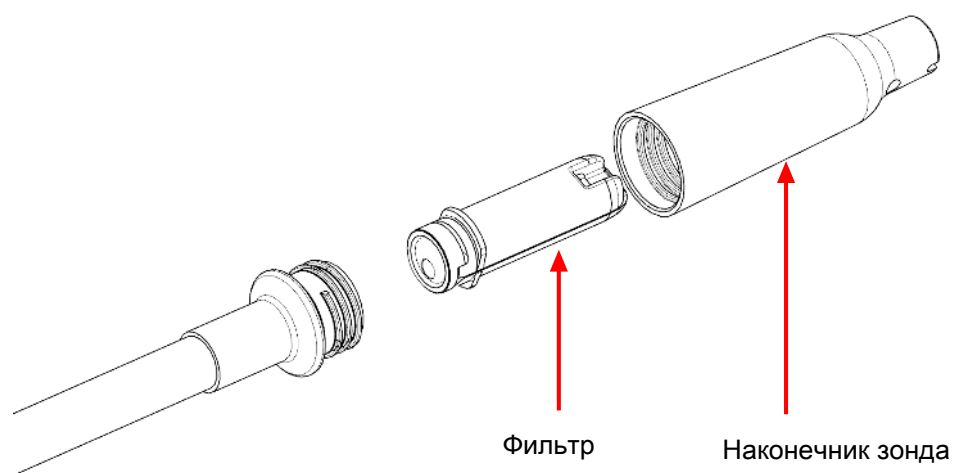


Чтобы заменить датчик:

1. Нажмите кнопку извлечения на задней панели устройства D-TEK Stratus и снимите крышку батарейного отсека.
2. Возьмитесь за фиксатор датчика и аккуратно извлеките датчик.
3. Выровняйте новый датчик по направляющим.
4. Аккуратно полностью вставьте датчик по направляющим.
⇒ Не давите на датчик слишком сильно. Если он не вставляется, выровняйте его и повторите попытку.
5. Верните крышку батарейного отсека на место.

15 Замена фильтров

D-TEK Stratus использует картридж с гидрофобным фильтром, который пропускает воду и хладагенты, но при этом задерживает воду, грязь и масло. Посмотрите на белую ткань, чтобы определить, требуется ли замена фильтра. Если ткань обесцветилась, установите новый фильтр. Замена фильтра также является простым шагом во время поиска и устранения неисправностей, если вы считаете, что детектор утечек неправильно распознает хладагенты. Забитый воздушный фильтр может ограничивать поступление воздушного потока для взятия пробы.



При воздействии воды или масла на фильтр воздушный поток может блокироваться. В этом случае выньте фильтр так, чтобы зонд был направлен вниз, чтобы не допустить попадания в него грязи, и установите новый фильтр. Если фильтр станет влажным, его можно использовать после того, как он просохнет.



⚠ ВНИМАНИЕ

Не используйте прибор без наконечника зонда и фильтра.

Чтобы заменить фильтр:

1. Открутите наконечник зонда и извлеките фильтр.
2. Вставьте в зонд новый фильтр.
3. Прикрутите наконечник зонда. Не затягивайте слишком сильно.

16 Очень длинный зонд

В комплект поставки устройства D-TEK Stratus входит запасной очень длинный зонд, который предназначен для проверки наличия утечек в труднодоступных местах.

Чтобы установить длинный зонд:

1. Отверните стандартный зонд от корпуса устройства D-TEK Stratus с помощью ключа на 10 мм.
2. Заверните длинный зонд с моментом около 35 дюйм·фунт (4 Н·м) Не затягивайте слишком сильно.
3. Открутите наконечник от стандартного зонда и извлеките фильтр (или используйте новый).
4. Вставьте фильтр в длинный зонд.
5. Прикрутите наконечник на длинный зонд. Не затягивайте слишком сильно.

17 Удлинитель зонда-иглы

Удлинитель зонда-иглы, предлагаемый в качестве дополнительной принадлежности, позволяет проверять наличие утечек в условиях ограниченного пространства и под изоляцией. Этот зонд имеет острый кончик, который легко протыкает изоляцию и вставляется в узкие щели.

Чтобы установить удлинитель зонда-иглы:

1. Открутите наконечник зонда. Не вынимайте фильтр.
2. Вставьте в наконечник новый фильтр.
3. Прикрутите наконечник зонда. Не затягивайте слишком сильно.

18 Опциональные датчики

Предлагаются опциональные датчики для определения CO₂ (PN 724-701-G2) или легковоспламеняющегося хладагента (PN 724-701-G3). Для использования датчика CO₂ или легковоспламеняющегося хладагента снимите стандартный датчик и установите новый согласно инструкциям в разделе Снятие и установка датчика [▶ 239]. D-TEK Stratus автоматически распознает тип датчика, а индикатор **MODE** загорается соответствующим светом, сигнализируя тип датчика все то время, что установлен датчик. Зеленый означает датчик CO₂, красный — датчик легковоспламеняющегося хладагента, оранжевый — датчик стандартного хладагента.



Если D-TEK Stratus не распознает тип датчика автоматически, то обратитесь в INFICON и договоритесь о проведении проверки ПО.



Датчик легковоспламеняющегося хладагента не определяет водород, в том числе водородообразующий газ.



При поиске утечек CO₂ рекомендуется носить респиратор или маску во избежание попадания выдыхаемого CO₂ в зонд.



⚠ ОСТОРОЖНО

Высокая концентрация CO₂ или хладагента опасна и может представлять угрозу для жизни.

Прибор не предназначен для применения в токсичных или опасных средах. Он не является средством индивидуальной защиты или средством пассивной безопасности. В средах, которые потенциально могут быть токсичными или опасными, всегда следует соблюдать особую осторожность.



⚠ ОСТОРОЖНО

Данный прибор не является искробезопасным и не должен эксплуатироваться в средах, где присутствуют взрывоопасные газы, взрывоопасная пыль и прочие взрывоопасные вещества. Эксплуатация в средах с концентрацией легковоспламеняющегося хладагента, близкой к нижнему пределу взрываемости (LEL), может привести ко взрыву или пожару и, как следствие, к серьезным травмам и материальному ущербу.

19 Чистка и хранение

Для чистки устройства D-TEK Stratus можно использовать мягкое чистящее средство или изопропиловый спирт. Следует соблюдать осторожность, чтобы чистящее средство не попадало внутрь прибора. Не используйте для чистки бензин, ацетон и другие агрессивные растворы, поскольку они могут повредить пластик или дисплей.

20 Детали для замены и принадлежности

запасной футляр для переноски	724-700-G1
наушники	721-607-G1
автомобильное зарядное устройство 12 В (пост. тока)	721-605-G1
Зарядное устройство для сети переменного тока (включает вилки для различных регионов)	721-606-G1
литий-ионный аккумулятор	721-702-G1
стойка для зарядки аккумулятора	721-610-G1
комбинация аккумулятора и стойки для зарядки	721-604-G1
стандартный датчик (распознает хлорфторуглероды, гидрохлорфторуглероды, гидрофторуглероды, гидрофторолефины, смеси (включая A2L))	724-701-G1
датчик CO ₂	724-701-G2
Датчик легковоспламеняющегося хладагента (углеводороды)	724-701-G3
картриджи фильтров (количество, 5)	712-707-G1
запасной наконечник зонда	712-705-G1
удлинитель зонда-иглы	721-612-G1
длинный зонд	721-611-G1
Устройство для проверки наличия утечек ТЕК-Check R134a	703-080-G10

21 Руководство по устранению неполадок

Неисправность	Причина	Способ устранения
<p>Отобразится следующим символом:</p> 	<p>Возникла ошибка аккумулятора. Она может быть вызвана неисправностью самого аккумулятора, неправильной его установкой или плохим контактом.</p>	<p>Извлеките и снова установите аккумулятор. Если проблема не исчезла, замените аккумулятор. См. Извлечение и установка литий-ионного аккумулятора [▶ 238].</p>
<p>Отобразится следующим символом:</p> 	<p>Температура аккумулятора выше или ниже оптимальной, и, возможно, он не заряжается должным образом.</p>	<p>Дайте аккумулятору охладиться до нормальной температуры.</p>
<p>Отобразится следующим символом:</p> 	<p>Возникла ошибка датчика. Она может быть вызвана неисправностью самого датчика, неправильной его установкой или плохим контактом.</p>	<p>Извлеките и снова установите датчик. Если проблема не исчезла, замените датчик. См. Снятие и установка датчика [▶ 239].</p>
<p>Дисплей не включается после длительного нажатия кнопки питания.</p>	<p>Критически низкий уровень заряда аккумулятора.</p>	<p>Зарядите аккумулятор или подключите зарядное устройство.</p>
<p>Устройство включается, но не распознает хладагент.</p>	<p>Устройство не полностью прогрелось (отображается кофейная чашка).</p>	<p>Дождитесь завершения прогрева. Для этого может потребоваться от 45 до 90 секунд.</p>

Неисправность	Причина	Способ устранения
	Засорился фильтр, в результате чего поток воздуха затруднен.	Замените картридж фильтра. См. Замена фильтров [▶ 240].
	Возникла неисправность насоса.	Прислушайтесь к звуку насоса. Если насос не издает звуков и аккумулятор надлежащим образом заряжен, обратитесь в компанию INFICON.
	Установлена слишком низкая чувствительность (только для режима точного определения).	Проверьте уровень чувствительности. Для очень небольших утечек необходимо использовать параметр High (Высокая) или Super (Супер).
	Установлен неверный датчик.	Убедитесь, что используется соответствующий датчик (датчик хладагента или датчик CO ₂).
	Эталонный образец загрязнен (режим Cloud Hunting).	Дайте устройству D-TEK Stratus поработать в чистом воздухе в режиме Cloud Hunting до пяти минут.
Устройство выдает предупреждающий сигнал в чистом воздухе.	Перекрыт выпускной вентиляционный порт.	Проверьте, что выпускной вентиляционный порт не закрыт.
	Установлен неверный датчик.	Проверьте, что установлен датчик хладагента, а не датчик CO ₂ .
Значение ppm падает до нуля в области, где точно имеется загрязнение.	Возможно, загрязнен эталонный образец.	Дайте устройству D-TEK Stratus поработать в чистом воздухе в режиме Cloud Hunting до пяти минут.

Неисправность	Причина	Способ устранения
Насос не издает звуков.	Возникла неисправность насоса.	Если аккумулятор надлежащим образом заряжен, обратитесь в компанию INFICON.

22 Гарантия и ограничение

ОТВЕТСТВЕННОСТИ

Компания INFICON гарантирует, что Портативное устройство для определения утечки хладагента с функцией мониторинга D-TEK Stratus не будет содержать дефектов материалов или изготовления в течение одного или двух лет (в зависимости от региона) с даты покупки. Компания INFICON не предоставляет гарантии на элементы, которые могут изнашиваться во время нормальной эксплуатации, включая аккумуляторы, датчики и фильтры. Кроме того, компания INFICON не обслуживает по гарантии приборы, которые неправильно или небрежно эксплуатировались, повреждены в результате несчастного случая, а также ремонтировались или изменялись кем-либо, кроме специалистов компании INFICON. Ответственность компании INFICON распространяется исключительно на приборы, которые возвращаются в компанию INFICON (с предварительной оплатой транспортировки) не позднее чем через тридцать (30) дней после окончания гарантийного периода и которые будут признаны компанией INFICON неисправными вследствие дефектов материалов или изготовления. Ответственность компании INFICON предусматривает только ремонт или замену неисправного прибора или детали, по усмотрению компании. Настоящая гарантия заменяет собой все другие гарантии, как явные, так и подразумеваемые, включая гарантии ГАРАНТИИ КОММЕРЧЕСКОЙ ПРИГОДНОСТИ, ПРИГОДНОСТИ ДЛЯ КОНКРЕТНЫХ ЦЕЛЕЙ или иные гарантии. Компания явным образом отказывается от всех подобных иных гарантий. Компания INFICON не несет ответственности сверх цены, уплаченной компании INFICON за прибор плюс предоплаченную стоимость транспортировки. Компания INFICON не несет ответственности за случайные или косвенные убытки. Все подобные виды ответственности ИСКЛЮЧАЮТСЯ.

23 Возврат прибора по гарантии или на ремонт

Для оценки гарантийного случая или негарантийного ремонта обращайтесь к оптовому продавцу. Не следует возвращать устройство в компанию INFICON напрямую. Все приборы и детали, возвращаемые в компанию INFICON для ремонта или возмещения стоимости, должны быть надлежащим образом упакованы, застрахованы. Кроме того, предварительно необходимо получить номер RMA (разрешения на возврат материалов) и оплатить стоимость транспортировки. Номер RMA должен быть указан на всех транспортных этикетках и упаковочных квитанциях. За помощью обращайтесь к дистрибьютору INFICON. При возникновении вопросов обращайтесь в компанию INFICON по телефону 800-344-3304 или в местное торговое представительство компании INFICON.

Spis treści

1 Deklaracja zgodności	252
2 Przestrogi i ostrzeżenia	253
3 Dane techniczne	255
4 D-TEK Stratus	258
5 Co to jest Cloud Hunting?.....	260
6 Ładowanie baterii	261
7 Włączanie przyrządu i przygotowywanie go do użycia.....	262
8 Układ ekranu i symbole	263
9 Używanie trybu Cloud Hunting (przenośnego monitora)	265
10 Używanie trybu Pinpoint (precyzyjny)	267
11 Tryb Manual Zero (ręczne zerowanie).....	268
12 Słuchawki douszne i regulacja poziomu głośności.....	269
13 Usuwanie i instalowanie baterii litowo-jonowej.....	270
14 Usuwanie i instalowanie czujnika	271
15 Wymiana filtrów	272
16 Przedłużona sonda.....	273
17 Przedłużenie sondy igłowej	274
18 Czujniki opcjonalne.....	275
19 Czyszczenie i przechowywanie	276
20 Części zamienne i akcesoria	277
21 Rozwiązywanie problemów	278
22 Gwarancja i ograniczenie odpowiedzialności	280
23 Zwrot przyrządu w ramach gwarancji lub w celu naprawy	281

1 Deklaracja zgodności



**DEKLARACJA
ZGODNOŚCI
UE**

Niniejsza deklaracja została wydana na wyłączną odpowiedzialność producenta INFICON. Niniejszym zaświadcza się, że to urządzenie, zaprojektowane i wyprodukowane przez:

INFICON Inc.
Two Technology Place
East Syracuse, NY 13057
USA

spełnia wymagania odpowiedniego wspólnotowego prawodawstwa harmonizacyjnego. Zostało zbudowane zgodnie z dobrymi praktykami inżynierskimi dotyczącymi bezpieczeństwa obowiązującymi we Wspólnocie i nie zagraża bezpieczeństwu osób, zwierząt domowych i mienia w przypadku poprawnej instalacji oraz obsługi i zastosowania zgodnego z przeznaczeniem.

Opis urządzenia:	Wykrywacz wycieków chłodziwa i przenośny monitor D-TEK Stratus
Numer modelu:	724-20x-Gxx (dotyczy wszystkich numerów w Grupie)
Odnośne dyrektywy:	
	2014/35/UE LVD
	2014/30/UE Ogólna dyrektywa EMC
	2011/65/UE z późniejszymi zmianami na mocy
	2015/863/UE RoHS
	2006/66/UE z późniejszymi zmianami na mocy dyrektywy ws. baterii 2013/56/UE
Obowiązujące normy:	
Bezpieczeństwo:	EN 61010-1:2010 Wymagania bezpieczeństwa elektrycznych przyrządów pomiarowych, automatyki i urządzeń laboratoryjnych. Wymagania ogólne
	EN 62133:2013 Wymagania bezpieczeństwa przenośnych szczelnie zamkniętych ogniw wtórnych i wykonanych z nich baterii do użytku w zastosowaniach przenośnych. Certyfikat testu CB DK-73443-UL
	UL 2054 Norma UL dla baterii do użytku domowego i komercyjnego, cert. nr 20180518-MH29443 UL 60950-1 & CAN/CSA-C22.2 No. 60950-1-07
	UN 38.3 Norma UL dla bezpieczeństwa urządzeń informatycznych – Bezpieczeństwo – Część 1:: Poświadczenie spełnienia wymagań ogólnych 20180518-MH294
	Podręcznik badań i kryteriów ONZ, Część III, Podrozdział 38.3. Bezpieczny transport akumulatorów litowo-jonowych
Poziom emisji:	EN 61326-1:2013 Wyd. 2.0 (Emisje promieniowane, przewodzone i harmoniczne) (EMC- Przyrządy pomiarowe, automatyki i urządzenia laboratoryjne)
	CISPR 11/EN 55011:2009 (+A1:2010) norma emisji dla przemysłowych, naukowych i medycznych (ISM) urządzeń radiowych, klasa A
Odporność:	EN 61326-1:2013 Wyd. 2.0 (EMC – Emisje promieniowane, przewodzone i harmoniczne) Odporność zgodnie z tabelą A.1 – Przenośne przyrządy do pomiarów i badań

RoHS Zgodn
Data wdrożenia znaku CE: 7 maja 2019 roku

Upoważniony przedstawiciel:

Brian King
INFICON
Dyrektor generalny – Narzędzia do serwisowania
Two Technology Place
East Syracuse, NY USA 13057

Upoważniony przedstawiciel UE

INFICON GmbH
50968 Köln, Bonner Str. 498

WSZELKIE PYTANIA ZWIĄZANE Z NINIEJSZĄ DEKLARACJĄ LUB BEZPIECZEŃSTWEM PRODUKTÓW FIRMY INFICON NALEŻY KIEROWAĆ W FORMIE PISEMNEJ DO AUTORYZOWANEGO PRZEDSTAWICIELA, NA ADRES WSKAZANY POWYŻEJ.

2 Przestrogi i ostrzeżenia

Przestrogi:

- Używaj wyłącznie certyfikowanej ładowarki/przewodu o parametrach wyjściowych 5 V (DC) $\pm 5\%$, 1 A $\pm 5\%$.
- Przechowuj urządzenie z dala od miejsc, w których panuje skrajnie wysoka lub niska temperatura.
- Nie narażaj baterii na działanie cieczy.
- Nie używaj urządzenia, jeśli doszło do uszkodzenia baterii.
- Nie rozmontowuj baterii ani nie modyfikuj jej.
- Używaj baterii i utylizuj je zgodnie z lokalnymi przepisami.
- Jeśli procedura ładowania nie zostanie dokończona, nawet w przypadku upłynięcia wskazanego czasu ładowania, należy natychmiast ją przerwać.
- Nie pozostawiaj ładowanej baterii bez nadzoru.
- Odłącz ładowarkę, gdy bateria zostanie całkowicie naładowana.
- Nieprawidłowe użytkowanie lub utylizowanie baterii litowo-jonowych może prowadzić do powstania pożaru.
- Opisywany przyrząd nie nadaje się do stosowania w środowisku łatwopalnym.
- W środowiskach o znacznym natężeniu fal radiowych może dojść do fałszywego alarmu.



OSTRZEŻENIE

Ten symbol informuje użytkownika o obecności ważnych wskazówek dotyczących działania i konserwacji (serwisowania), znajdujących się w dokumentacji dołączonej do przyrządu.



OSTRZEŻENIE

Narażenie na wpływ stężonego CO₂ lub czynników chłodniczych jest niebezpieczne i może zagrażać życiu.

Przyrząd nie nadaje się do stosowania w środowiskach toksycznych lub niebezpiecznych. Przyrząd nie należy do środków ochrony osobistej ani ratunkowych. Podczas pracy w środowiskach potencjalnie toksycznych lub niebezpiecznych należy zachować daleko idącą ostrożność.

**⚠ OSTRZEŻENIE**

Produkt nie jest nieiskrobezpieczny i nie należy go używać w obecności oparów lub pyłów wybuchowych i innych wybuchowych środków chemicznych. Użytkowanie w środowisku o stężeniu łatwopalnego czynnika chłodniczego bliskim dolnej granicy wybuchowości (LEL) może być przyczyną wybuchu lub pożaru, powodującego ciężkie obrażenia, śmierć lub szkody materialne.

3 Dane techniczne

Zastosowanie	wewnętrzny/zewnętrzny
Typ czujnika	podczerwień
Kompatybilne czynniki chłodnicze	wszystkie związki CFC, HCFC, HFC, HFO i ich mieszaniny (w tym A2Ls) oraz CO ₂ ¹
Minimalna czułość (tryb Pinpoint mode , czułość Super)	1 g/rok (0,03 uncji/rok) ²
Rozdzielczość wyświetlacza (tryb Cloud Hunting)	1 ppm
Zakres wyświetlacza (tryb Cloud Hunting)	od 0 do 9999 ppm
Dokładność pomiaru (tryb Cloud Hunting z inf. o czystości powietrza, R134a)	±1 ppm ±10% odczytu
Typ baterii	litowo-jonowa
Typ gniazda ładowania	mikro USB
Czas ładowania (dla rozładowanej baterii)	około 3 godzin
Cykl eksploatacji baterii	około 8 godzin (tryb Cloud Hunting) około 10 godzin (tryb Pinpoint)
Napięcie wejściowe	5 V (DC) ±5%
Natężenie prądu wejściowego	1 A ±5%
Czas rozruchu	45–90 s
Zakresy temperatury i wilgotność	
• Przechowywanie	-20–60°C (-4–140°F)
• Działanie ³	-20–50°C (-4–122°F)
• Ładowanie	0–45°C (32–113°F)
• Wilgotność	95% wilgotności RH NC maks.
Wysokość n.p.m.	2000 m (6500 stóp)
Poziom zanieczyszczeń	2
Kategoria przepięć	2
Masa (z baterią; bez pokrowca i akcesoriów)	0,50 kg (1,10 funta)

¹ Do wykrywania CO₂ wymagany jest dodatkowy czujnik CO₂.

² Dla uzyskania optymalnej wydajności i wskazanego poziomu czułości zaleca się, aby przyrząd D-TEK Stratus przed użyciem został uruchomiony na 15 minut.

³ Użycie przyrządu w temperaturze poniżej 0°C (32°F) należy ograniczać. Przed użyciem przyrządu w niskiej temperaturze należy wydłużyć czas rozruchu.

Tabela danych technicznych, zgodnie z normą EN 14624

	R134a	R1234yf
Min. czułość, stała (statyczna)	1 g/rok	0,5 g/rok
Maks. czułość, brak ruchu (statyczna) ⁴	>50 g/rok	>50 g/rok
Min. czułość, ruch (dynamiczna)	1 g/rok	1 g/rok
Maks. czułość, ruch (dynamiczna) ⁴	>50 g/rok	>50 g/rok
Min. czas reakcji/wykrywania	<1 s	<1 s
Czas zerowania	1–4 s	1–4 s
Czas przywracania po narażeniu na stężenie 50 g/rok ⁵	7,6 s	6,4 s
Min. czułość w środowisku zanieczyszczonym	>2 g/rok	1 g/rok
Częstotliwość kalibracji	Sprawdzać co roku, uwzględniając normę kalibracji dla wycieków	

⁴Górny limit wykrywania wycieków nie został określony przez INFICON, ponieważ nie istnieje górny limit dla wielkości wycieku, który wykrywacz jest w stanie wykryć.

⁵Jako że norma wycieku 50 g/rok nie była dostępna podczas testów, zastosowano normę 32 g/rok.

Zastosowania SAE

Normy SAE J2791 (R-134a) i J2913 (R-1234yf) określają czułość dla następujących wielkości wycieków przy uwzględnieniu poniższych ustawień. Czułość **Super** zapewnia większą czułość, niż to określają wymagania normy SAE w przypadku kontroli wycieków w czystym środowisku (pozbawionym czynnika chłodniczego). Jeśli kontrola wycieków odbywa się w zanieczyszczonym środowisku (wysokie stężenie chłodziwa), należy użyć czułości **Super**.

Natężenie przepływu wycieku R-134a (g/rok)	Natężenie przepływu wycieku R-1234yf (g/rok)	Ustawienia czułości
14	14	niskie
7	7	średnie
4	4	wysokie

W poniższej tabeli wyszczególniono powszechnie występujące chemikalia w pojazdach i wskazano, czy mogą wywołać fałszywy alarm przyrządu D-TEK Stratus.

Wykonywać próbę szczelności przy wyłączonym silniku.

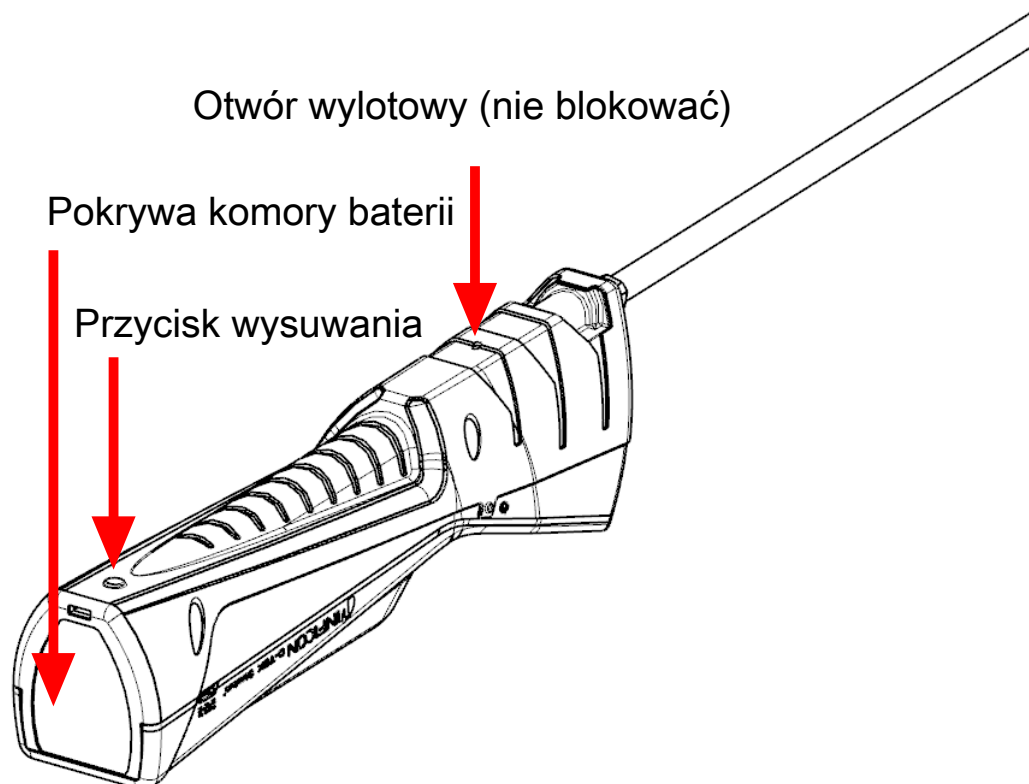
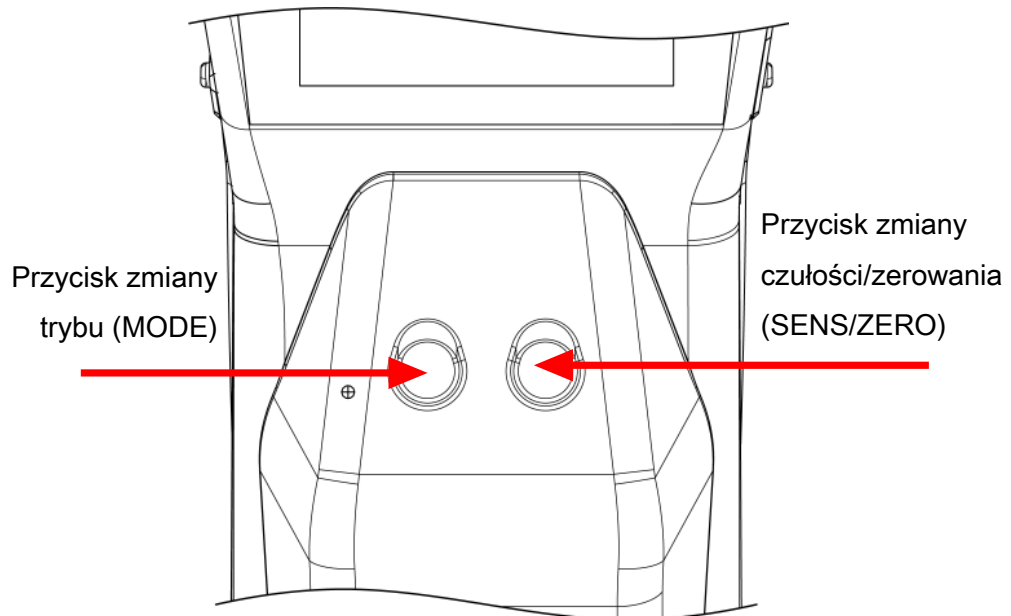
Substancja chemiczna	Fałszywy alarm
rozcieńczalnik płynu do mycia szyb (metanol)	tak
Środek do usuwania plam Ford™	tak

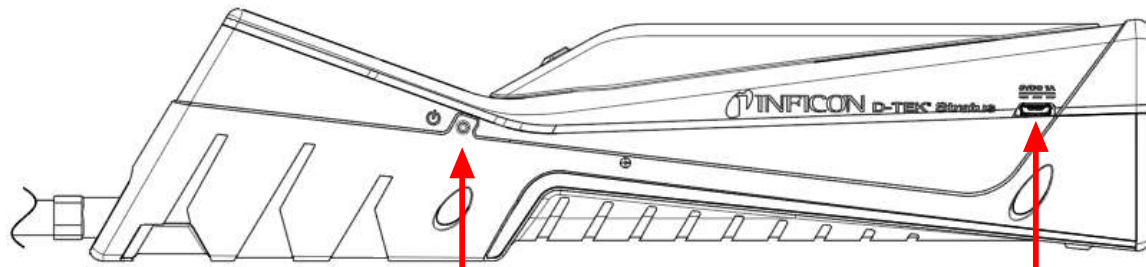
Substancja chemiczna	Falszywy alarm
Środek zapobiegający korozji i przenikający rdzę Ford	tak
Klej do uszczelnień Ford	tak
Naturalny niebieski środek odtłuszczający Permatex™	tak
Środek do czyszczenia części hamulców Ford	tak
Środek w sprayu do czyszczenia po regulacji gaźnika Ford	tak
Kauczuk silikonowy do czyszczenia Ford	tak
Chłodziwo/środek przeciwzamarzający Motorcraft™ G-05	nie
Odrzewiacz Gunk™	nie
Środek do mycia rąk z balsamem/pumeksem Ford	nie
Płyn hamulcowy Ford Motorcraft DOT3	nie
Smar silikonowy Ford	nie
Płyn do przekładni automatycznych Dexron™	nie
Mineralny olej silnikowy	nie

Patenty (oczekujące na zatwierdzenie)

- Wniosek nr 10 2018 206 877.1
- Wniosek nr 18171080.7
- Wniosek nr 10 2018 208 826.8

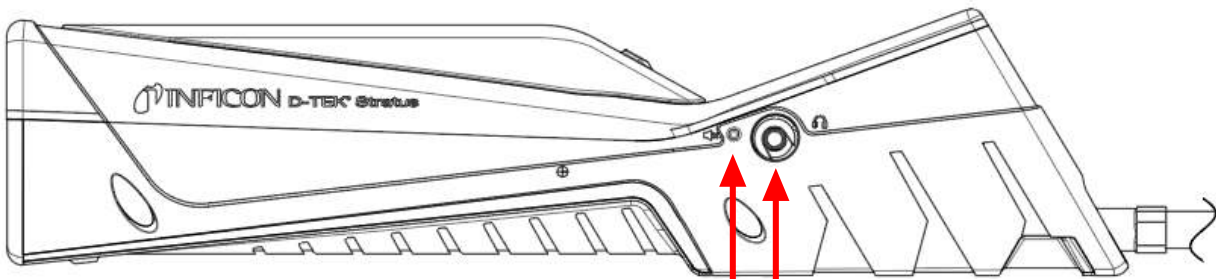
4 D-TEK Stratus





Przycisk
zasilania

Gniazdo
zasilania



Przycisk regulacji głośności

Gniazdo słuchawkowe

Polski

Polski

5 Co to jest Cloud Hunting?

Gdy czynnik chłodniczy wycieka z układu, nie rozprasza się w powietrzu w sposób równomierny. Stężenie czynnika jest na ogół wyższe w pobliżu źródła wycieku. Gęstość czynnika chłodniczego jest również inna niż powietrza, dlatego ma tendencje do tworzenia „chmur” w powietrzu, zwykle w pobliżu podłoża. Chmury te są bezbarwne i bezwonne w przypadku większości czynników. W przypadku kontroli nieszczelności z użyciem tradycyjnego detektora alarm pojawi się podczas wchodzenia w taką chmurę. Nie pomaga to w odnalezieniu nieszczelności, ponieważ chmura może występować z dala od źródła wycieku.

D-TEK Stratus wykorzystuje unikalną technologię, wyświetlając stężenie czynnika chłodniczego w powietrzu w liczbie części na milion (ppm). Dzięki wartości podanej na wyświetlaczu można, kierując się w stronę obszarów wysokiego stężenia, odnaleźć źródło wycieku.

6 Ładowanie baterii

D-TEK Stratus wykorzystuje baterię litowo-jonową wielokrotnego użytku, która w chwili zakupu urządzenia jest częściowo naładowana. Firma INFICON zaleca doładowanie baterii przed jej użyciem. Korzystając z dołączonej do zestawu ładowarki lub stacji dokującej, można naładować baterię do poziomu 80% w ciągu około 2 godzin oraz do poziomu 100% w ciągu około 3 godzin. Całkowicie naładowana bateria na ogół wystarcza na mniej więcej 8 do 10 h pracy urządzenia, w zależności od używanego trybu i temperatury roboczej. Wskaźnik na wyświetlaczu informuje o poziomie naładowania baterii.



Urządzenie D-TEK Stratus może być używane podczas ładowania.

7 Włączanie przyrządu i przygotowywanie go do użycia



Jeśli ekran nie włącza się, oznacza to, że poziom naładowania baterii jest niski i należy ją naładować. Urządzenie D-TEK Stratus może być używane podczas ładowania.

1. Naciśnij i przytrzymaj przycisk zasilania (znajdujący się po lewej stronie obudowy przyrządu), aby włączyć lub wyłączyć urządzenie D-TEK Stratus.
⇒ Uruchamianie urządzenia D-TEK Stratus trwa od 45 do 90 sekund. Po uruchomieniu urządzenie D-TEK Stratus jest gotowe do użycia.
2. Przełączanie pomiędzy trybami odbywa się za pomocą przycisku **MODE**. Przycisk ten umożliwia zmianę między trybami **Cloud Hunting**, **Pinpoint** i **Manual Zero modes**.



Urządzenie D-TEK Stratus uruchamia się w trybie, w którym było ostatnio używane.



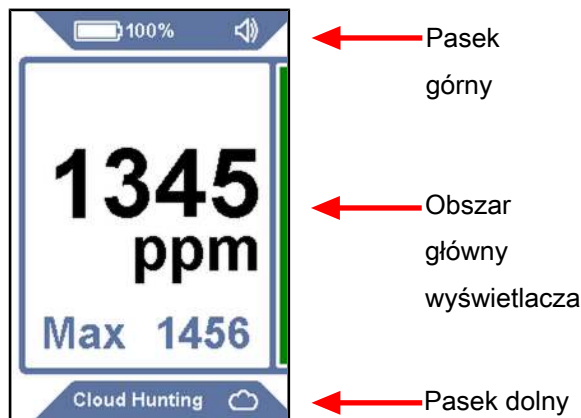
OSTRZEŻENIE

Nie wolno blokować otworu wylotowego.

Zablokowanie otworu wylotowego może powodować fałszywe alarmy lub nieprawidłowe odczyty.

8 Układ ekranu i symbole

Wszystkie wskaźniki i informacje są wyświetlane na wyświetlaczu przyrządu D-TEK Stratus. Wyświetlacz zawiera pasek górny, obszar główny i pasek dolny.



Pasek górny: Na pasku górnym znajduje się symbol baterii, poziom jej naładowania (%), wskaźnik czujnika (jeśli używany jest inny typ niż standardowy) oraz wskaźnik dźwięku.

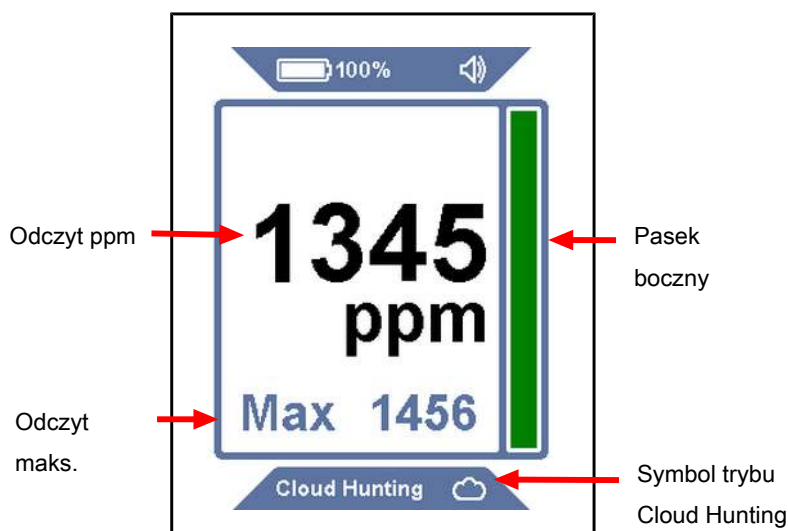
Symbol	Opis
	poziom naładowania baterii wynosi 75–100%
	poziom naładowania baterii wynosi 50-74%
	poziom naładowania baterii wynosi 30-49%
	poziom naładowania baterii wynosi 10-29%
	poziom naładowania baterii wynosi <10%
	bateria jest w trakcie ładowania
	głośność jest ustawiona na 100% (domyślnie)
	głośność jest ustawiona na 50%
	dźwięk jest wyciszony
CO2	Czujnik CO ₂ jest zainstalowany

Obszar główny wyświetlacza: Znajdują się na nim informacje potrzebne do kontroli wycieku. Obszar główny zawiera odczyt ppm dla trybu **Cloud Hunting** oraz wskaźniki wycieku dla trybów **Pinpoint** i **Manual Zero**.

Pasek dolny: Pasek dolny wyświetla bieżący tryb i symbol trybu. Pokazuje także poziom czułości dla trybu **Pinpoint**.

Symbol	Opis
	wskazuje tryb Cloud Hunting
	wskazuje tryb Pinpoint (precyzyjny)
	wskazuje tryb Manual Zero
	czułość = Super (Super) (wyświetlana tylko w trybie Pinpoint)
	czułość = Wysoka (High) (wyświetlana tylko w trybie Pinpoint)
	czułość = Średnia (Medium) (wyświetlana tylko w trybie Pinpoint)
	czułość = Niska (Low) (wyświetlana tylko w trybie Pinpoint)

9 Używanie trybu Cloud Hunting (przenośnego monitora)



Tryb **Cloud Hunting** jest oznaczony dużym odczytem ppm na wyświetlaczu oraz komunikatem **Cloud Hunting** wyświetlanym na dole, obok symbolu chmury. Pasek boczny powiększa się i pomniejsza wraz ze zmianami w odczycie ppm.



W trybie Cloud Hunting ustawienie czułości jest niedostępne.

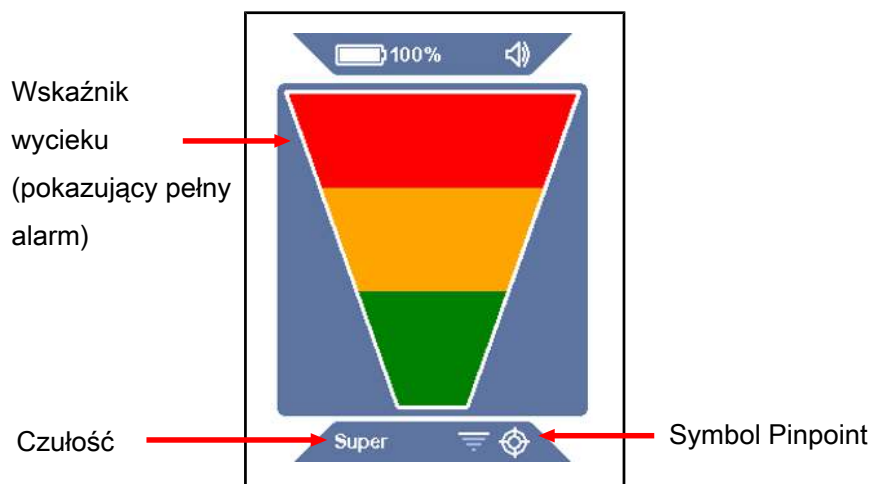
1. Powoli przesunij urządzenie po obszarach, co do których istnieje podejrzenie wycieku, i obserwuj odczyt ppm.
2. Obserwuj odczyt ppm, aby znaleźć obszary wyższego stężenia czynnika chłodniczego. Im wyższa wartość, tym większe stężenie.
3. Naciśnij przycisk **SENS/ZERO**, aby włączyć lub wyłączyć funkcję **MAX**. Kiedy jest włączona, najwyższy zaobserwowany poziom ppm wyświetla się poniżej głównego wyświetlacza ppm. Aby zresetować odczyt **MAX**, naciśnij i przytrzymaj przycisk **SENS/ZERO** lub wyłącz funkcję i włącz ją ponownie.



Urządzenie D-TEK Stratus wykorzystuje unikalny zawór przełączający w trybie **Cloud Hunting**, aby na bieżąco porównywać próbki z końcówki sondy z powietrzem wewnątrz korpusu wykrywacza wycieków (próbka referencyjna). Dzięki tej technologii urządzenie D-TEK Stratus może pracować bez użycia filtra węglowego. Pozostawianie

przez kilka minut na obszarze z wysokim stężeniem czynnika chłodniczego może spowodować zanieczyszczenie próbki referencyjnej tym czynnikiem, co skutkowałoby wyzerowaniem odczytu ppm. Jeśli do tego dojdzie, należy przemieścić się na obszar z czystym powietrzem (gdy używany jest tryb **Cloud Hunting mode**) na kilku minut, aby odczekać na oczyszczenie się próbki referencyjnej.

10 Używanie trybu Pinpoint (precyzyjny)



Tryb **Pinpoint** jest oznaczony dużym wskaźnikiem wycieku na wyświetlaczu oraz symbolem **Pinpoint** na pasku dolnym. Bieżący poziom czułości jest także wskazany na pasku dolnym. Tryb ten działa podobnie jak standardowy detektor nieszczelności z funkcją automatycznego zerowania, gdzie paski wskaźnika zaświecają się, ostrzegając o wykrytym wycieku.

1. Umieść końcówkę urządzenia D-TEK Stratus s jak najbliższej miejsca potencjalnego wycieku (nie blokując przepływu powietrza).
2. Powoli przemieść sondę obok każdego miejsca potencjalnego wycieku.
 - ⇒ Jeśli zostanie wykryty wyciek, urządzenie D-TEK Stratus uruchomi alarm i zaświecą się wskaźniki na ekranie.
3. Po wykryciu wycieku odsuń sondę na kilka sekund od wycieku, a następnie umieść ją ponownie w tym miejscu, aby zweryfikować wyciek.

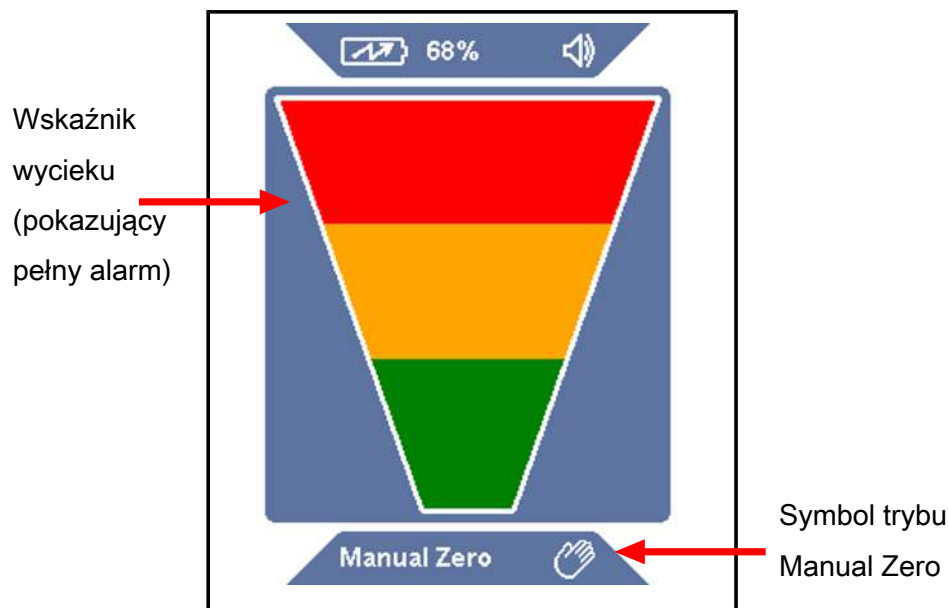


W trybie **Pinpoint** urządzenie D-TEK Stratus automatycznie jest zerowane do stężenia czynnika chłodniczego w otoczeniu i uruchamia alarm tylko w przypadku wzrostu tej wartości. Jeśli to nastąpi, wyszukaj wyższe stężenie czynnika lub przejdź z sondą do obszaru niższego stężenia na kilka sekund, aby zresetować punkt zerowy.



Naciśnij przycisk **SENS/ZERO**, aby przełączyć ustawienia czułości. W przypadku większego wycieku wskazanie jego źródła może być łatwiejsze za pomocą ustawień niższej czułości. Bieżący poziom czułości jest wskazany na pasku dolnym.

11 Tryb Manual Zero (ręczne zerowanie)



Tryb **Manual Zero** przypomina w działaniu tryb **Pinpoint**, ale jest oznaczony informacją **Manual Zero** oraz symbolem **Manual Zero** na pasku dolnym. W trybie **Manual Zero** użytkownik może ręcznie zerować urządzenie do stężenia czynnika w otoczeniu, naciskając przycisk **SENS/ZERO**. Po ustawieniu nowego punktu zerowego urządzenie D-TEK Stratus nie uruchomi alarmu, o ile nie zostanie wykryte wyższe stężenie czynnika chłodniczego.

W trybie **Manual Zero** urządzenie szybciej emituje sygnał alarmowy przy punkcie zero niż w innych trybach. Jeśli stężenie będzie niższe od bieżącego punktu zerowego, sygnał alarmowy zwolni. Dzięki temu użytkownik dowiaduje się o tym, czy oddala się od źródła wycieku, nasłuchując zmiany w prędkości sygnalizacji.



W trybie **Manual Zero** ustawienie czułości jest niedostępne.



Tryb **Manual Zero** wymaga dodatkowego czasu uruchomienia, maks. 15 minut, dla uzyskania maksymalnej wydajności.

12 Słuchawki douszne i regulacja poziomu głośności

Na prawo od D-TEK Stratus znajduje się złącze słuchawkowe do nasłuchiwania dźwięków alarmowych przez słuchawki lub słuchawki douszne.



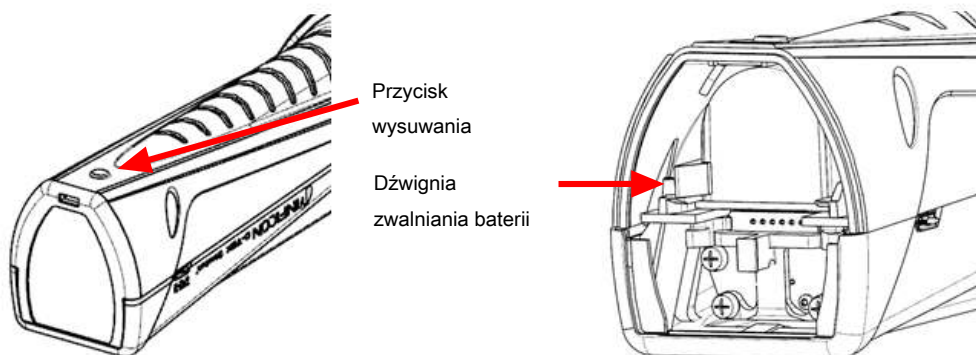
⚠ OSTRZEŻENIE

W przypadku słuchawek innych niż dostarczone przez firmę INFICON należy je ostrożnie przetestować, aby uniknąć uszkodzenia słuchu.

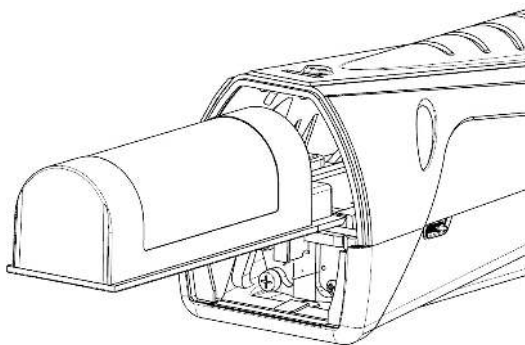
Przycisk regulacji głośności znajduje się obok gniazda słuchawkowego. Naciśnij przycisk regulacji głośności, aby przełączyć poziom głośności ze 100% na 50% lub wyciszyć urządzenie całkowicie. Domyślny poziom głośności przy uruchomieniu wynosi 100%. Gdy słuchawki lub słuchawki douszne są podłączone, głośność przełącza się między ustawieniem 100% i wyciszeniem.

13 Usuwanie i instalowanie baterii litowo-jonowej

1. Naciśnij przycisk wysuwania z tyłu urządzenia D-TEK Stratus i zdejmij pokrywę komory baterii.



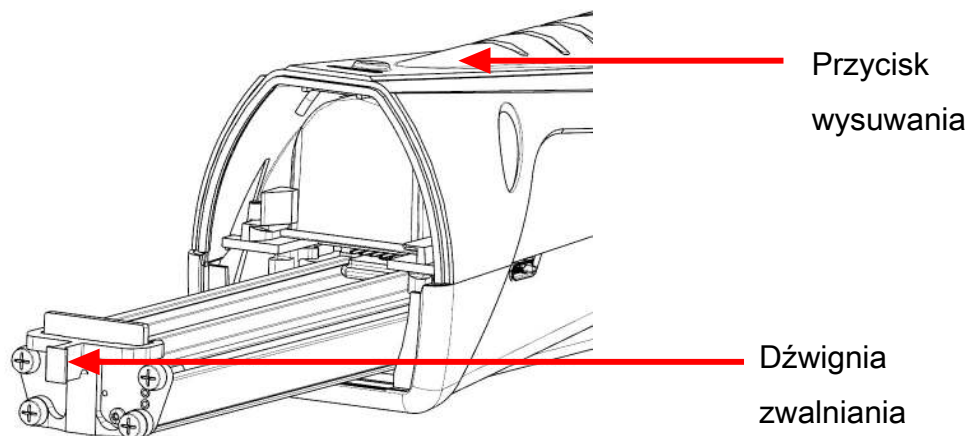
2. Wyjmij baterię, przesuwając dźwignię zwalniania baterii do boku, tak aby bateria wysunęła się z komory. Wsuń baterię.
3. Wyrównaj położenie baterii względem przewodnic.



4. Delikatnie pchnij baterię wzdłuż przewodnic do załączenia się dźwigni zwalniania baterii.
⇒ Nie wpychaj baterii na siłę. Jeśli bateria nie przesuwa się swobodnie, sprawdź jej położenie i spróbuj ponownie.
5. Ponownie zamocuj pokrywę komory baterii.

14 Usuwanie i instalowanie czujnika

Urządzenie D-TEK Stratus wykorzystuje czujnik w postaci wkładu, który można szybko i łatwo wyjmować i instalować w terenie. Oprócz wersji standardowej firma INFICON oferuje czujnik CO₂ do użycia w aplikacjach chłodniczych i klimatyzacyjnych. Patrz Części zamienne i akcesoria [▶ 277].

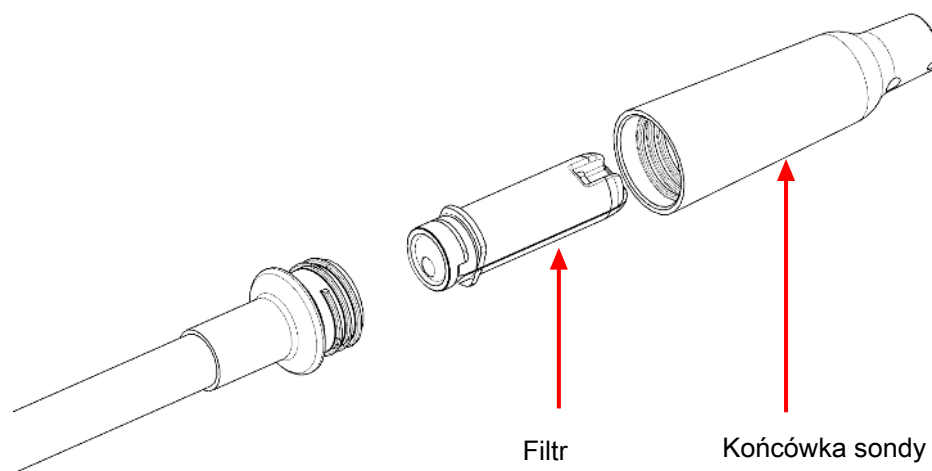


Aby wymienić czujnik:

1. Naciśnij przycisk wysuwania z tyłu urządzenia D-TEK Stratus i zdejmij pokrywę komory baterii.
2. Chwyć dźwignię zwalniania czujnika i delikatnie ją pociągnij.
3. Wyrównaj położenie nowego czujnika względem prowadnic.
4. Delikatnie pchnij czujnik wzdłuż prowadnic, tak aby znalazł się na swoim miejscu.
⇒ Nie wpychaj czujnika na siłę. Jeśli czujnik nie przesuwają się swobodnie, sprawdź jego położenie i spróbuj ponownie.
5. Ponownie zamocuj pokrywę komory baterii.

15 Wymiana filtrów

Urządzenie D-TEK Stratus wykorzystuje filtr hydrofobowy, który oddziela powietrze i chłodziwo od wody, zanieczyszczeń i smarów. Sprawdź stan białego materiału, aby określić, czy filtr wymaga wymiany. Jeśli kolor materiału uległ zmianie, zainstaluj nowy filtr. Wymiana filtra to również prosta czynność naprawcza na wypadek, gdyby wykrywacz wycieków nieprawidłowo wykrywał chłodziwo. Zatkany filtr powietrza może ograniczyć przepływ powietrza próbki.



Narażenie filtra na wodę lub olej może zablokować przepływ powietrza. Jeśli tak się stanie, usuń filtr z sondą skierowaną w dół, aby uniknąć przedostania się zanieczyszczeń do sondy, i zainstaluj nowy filtr. Jeśli dojdzie do zamoczenia filtra, można go użyć ponownie po wyschnięciu.



UWAGA

Nigdy nie należy używać przyrządu bez sondy i filtra.

Aby wymienić filtr:

1. Odkręć końcówkę sondy i wyjmij filtr.
2. Włóż nowy filtr do sondy.
3. Nakręć końcówkę sondy. Nie dociskaj zbyt mocno.

16 Przedłużona sonda

Zestaw urządzenia D-TEK Stratus zawiera także przedłużoną sondę zapasową do wykrywania wycieków w trudno dostępnych miejscach.

Aby zainstalować przedłużoną sondę:

1. Odkręć standardową sondę od korpusu urządzenia D-TEK Stratus za pomocą 10 cm klucza płaskiego.
2. Przykręć przedłużoną sondę, używając momentu 35 cal-funt (4 N·m). Nie dociskaj zbyt mocno.
3. Odkręć końcówkę sondy od standardowej sondy i usuń filtr (lub użyj nowego).
4. Wsuń filtr do przedłużonej sondy.
5. Nakręć końcówkę sondy na przedłużoną sondę. Nie dociskaj zbyt mocno.

17 Przedłużenie sondy igłowej

Dodatkowe przedłużenie sondy igłowej pozwala wykrywać wycieki w ciasnych miejscach oraz w izolacji. Sonda ta jest ostro zakończona, aby mogła z łatwością przebijać materiały izolacji i mieścić się w ciasnych miejscach.

Aby zainstalować przedłużoną sondę igłową:

1. Odkręć końcówkę sondy. Pozostaw filtr na swoim miejscu.
2. Włóż nowy filtr do końcówki sondy.
3. Nakręć końcówkę sondy. Nie dociskaj zbyt mocno.

18 Czujniki opcjonalne

Dostępne są czujniki opcjonalne do wykrywania CO₂ (PN 724-701-G2) lub łatwopalnego czynnika chłodniczego (PN 724-701-G3). Aby korzystać z czujnika CO₂ lub czujnika łatwopalnego czynnika chłodniczego, należy zdemontować standardowy czujnik i zainstalować nowy, zgodnie z instrukcjami zamieszczonymi w części Usuwanie i instalowanie czujnika [► 271]. D-TEK Stratus automatycznie rozpoznaje typ czujnika, a wskaźnik **TRYB** świeci się w odpowiednim kolorze, sygnalizując typ zamontowanego czujnika przez cały okres jego pracy. Kolor zielony oznacza, że zamontowany jest czujnik CO₂, kolor czerwony – czujnik łatwopalnego czynnika chłodniczego, a pomarańczowy – standardowy czujnik czynnika chłodniczego.



Jeśli D-TEK Stratus nie rozpozna automatycznie czujnika łatwopalnego czynnika chłodniczego, należy skontaktować się z firmą INFICON w celu uzgodnienia terminu testu oprogramowania.



Czujnik łatwopalnego czynnika chłodniczego nie wykrywa wodoru, w tym gazów wodorotwórczych.



Zaleca się, aby podczas wyszukiwania upływów CO₂ nosić respirator lub maskę zapobiegającą wydychaniu CO₂ w stronę sondy.



⚠ OSTRZEŻENIE

Narażenie na wpływ stężonego CO₂ lub czynników chłodniczych jest niebezpieczne i może zagrażać życiu.

Przyrząd nie nadaje się do stosowania w środowiskach toksycznych lub niebezpiecznych. Przyrząd nie należy do środków ochrony osobistej ani ratunkowych. Podczas pracy w środowiskach potencjalnie toksycznych lub niebezpiecznych należy zachować daleko idącą ostrożność.



⚠ OSTRZEŻENIE

Produkt nie jest nieiskrobezpieczny i nie należy go używać w obecności oparów lub pyłów wybuchowych i innych wybuchowych środków chemicznych. Użytkowanie w środowisku o stężeniu łatwopalnego czynnika chłodniczego bliskim dolnej granicy wybuchowości (LEL) może być przyczyną wybuchu lub pożaru, powodującego ciężkie obrażenia, śmierć lub szkody materialne.

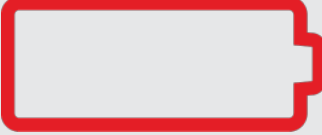
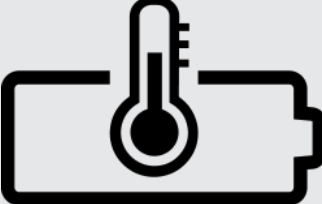
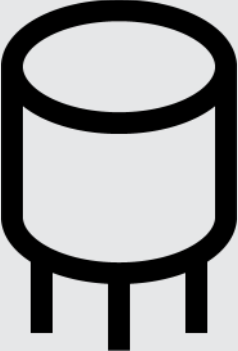
19 Czyszczenie i przechowywanie

Urządzenie D-TEK Stratus można czyścić za pomocą łagodnego detergentu lub alkoholu izopropylowego. Należy zachować ostrożność, aby środek czyszczący nie dostał się do wnętrza przyrządu. Nie używać do czyszczenia benzyny, acetonu ani innych agresywnych rozcieńczalników, ponieważ mogłyby uszkodzić tworzywo lub wyświetlacz.

20 Części zamienne i akcesoria

zamienny pokrowiec	724-700-G1
słuchawki douszne	721-607-G1
ładowarka samochodowa 12 V (DC)	721-605-G1
ładowarka sieciowa AC (w tym wtyczki dla różnych regionów)	721-606-G1
bateria litowo-jonowa	721-702-G1
stacja dokująca baterii	721-610-G1
kombinacja ładowarki ze stacją dokującą baterii	721-604-G1
standardowy czujnik (wykrywa czynniki chłodnicze CFC, HCFC, HFC, HFO i mieszaniny (w tym A2L)	724-701-G1
czujnik CO ₂	724-701-G2
Czujnik łatwopalnego czynnika chłodniczego (HC)	724-701-G3
wkłady filtra (5 szt.)	712-707-G1
zamienna zaślepka sondy	712-705-G1
przedłużenie sondy igłowej	721-612-G1
przedłużona sonda	721-611-G1
tester wycieku TEK-Check R134a	703-080-G10

21 Rozwiązywanie problemów

Problem	Przyczyna	Rozwiązanie
<p>Wyświetlany jest następujący symbol:</p> 	<p>Wystąpił błąd baterii. Może to wynikać z awarii baterii lub nieprawidłowej instalacji baterii bądź też nieprawidłowego połączenia.</p>	<p>Usuń i ponownie zainstaluj baterię. Jeśli problem będzie się powtarzać, wymień baterię. Patrz Usuwanie i instalowanie baterii litowo-jonowej [▶ 270].</p>
<p>Wyświetlany jest następujący symbol:</p> 	<p>Temperatura baterii wynosi więcej lub mniej niż zalecany zakres, dlatego może ładować się nieprawidłowo.</p>	<p>Pozwól na powrót baterii do normalnej temperatury.</p>
<p>Wyświetlany jest następujący symbol:</p> 	<p>Wystąpił błąd czujnika. Może to wynikać z awarii czujnika lub nieprawidłowej instalacji czujnika bądź też nieprawidłowego połączenia.</p>	<p>Usuń i ponownie zainstaluj czujnik. Jeśli problem będzie się powtarzać, wymień czujnik. Patrz Usuwanie i instalowanie czujnika [▶ 271].</p>
<p>Wyświetlacz nie włącza się po naciśnięciu i przytrzymaniu przycisku zasilania.</p>	<p>Poziom naładowania baterii jest krytycznie niski.</p>	<p>Naładuj baterię lub podłącz urządzenie do ładowarki.</p>
<p>Urządzenie się włącza, ale nie wykrywa chłodziwa.</p>	<p>Urządzenie nie zakończyło rozruchu (wyświetlany jest symbol filiżanki z kawą).</p>	<p>Odczekaj na zakończenie rozruchu. Potrwa to od 45 do 90 sekund.</p>
	<p>Filtr jest zatkany, co ogranicza przepływ powietrza.</p>	<p>Wymień filtr. Patrz Wymiana filtrów [▶ 272].</p>
	<p>Pompa nie działa.</p>	<p>Posłuchaj odgłosów pompy. Jeśli pompa nie emituje dźwięku, a bateria</p>

Problem	Przyczyna	Rozwiązanie
		jest prawidłowo naładowana, skontaktuj się z firmą INFICON.
	Ustawiono zbyt niską czułość (tylko tryb Pinpoint).	Sprawdź poziom czułości. W przypadku bardzo małych wycieków należy używać ustawień Wysoki lub Super.
	Zainstalowany jest nieprawidłowy czujnik.	Sprawdź, czy używany jest prawidłowy czujnik (czujnik chłodziwa lub CO ₂).
	Próbka referencyjna jest zanieczyszczona (tryb Cloud Hunting).	Pozwól, aby urządzenie D-TEK Stratus pracowało w trybie Cloud Hunting w czystym powietrzu przez maksymalnie pięć minut.
Urządzenie uruchamia alarm pomimo czystego powietrza otoczenia.	Otwór wylotowy jest zakryty.	Sprawdź, czy otwór wylotowy nie jest zakryty.
	Zainstalowany jest nieprawidłowy czujnik.	Sprawdź, czy zainstalowany jest czujnik chłodziwa, nie zaś czujnik CO ₂ .
Wartość ppm spada do zera w zanieczyszczonym obszarze.	Próbka referencyjna może być zanieczyszczona.	Pozwól, aby urządzenie D-TEK Stratus pracowało w trybie Cloud Hunting w czystym powietrzu maksymalnie przez pięć minut.
Pompa nie emituje dźwięków.	Pompa nie działa.	Jeśli bateria jest prawidłowo naładowana, skontaktuj się z firmą INFICON.

22 Gwarancja i ograniczenie odpowiedzialności

INFICON gwarantuje, że Wykrywacz wycieków chłodziwa i przenośny monitor D-TEK Stratus pozostanie wolny od wad materiałowych i wykonawstwa przez okres jednego roku lub dwóch lat (w zależności od regionu) od daty zakupu. INFICON nie obejmuje gwarancją elementów zestawu, których stan ulega pogorszeniu w wyniku normalnego użytkowania, w tym baterii, czujników i filtrów. Ponadto INFICON nie obejmuje gwarancją przyrządów, które były nieprawidłowo używane, zaniedbywane lub brały udział w wypadku bądź zostały naprawione lub zmodyfikowane przez podmiot inny niż INFICON. Odpowiedzialność INFICON ogranicza się do przyrządów zwróconych do INFICON, ze wstępnie opłaconym transportem, nie później niż w ciągu trzydziestu (30) dni od wygaśnięcia okresu gwarancji, pod warunkiem że INFICON stwierdzi awarię przyrządu z powodu wad materiałowych lub wykonawstwa. Odpowiedzialność firmy INFICON jest ograniczona, według jej własnego uznania, do naprawy lub wymiany wadliwego przyrządu lub jego części. Niniejsza gwarancja zastępuje wszelkie pozostałe gwarancje, wyraźne lub dorozumiane, dotyczące między innymi PRZYDATNOŚCI DO OKREŚLONEGO CELU LUB PRZYDATNOŚCI HANDLOWEJ. Wszystkie pozostałe gwarancje są wyraźnie wyłączone. INFICON nie ponosi odpowiedzialności za kwotę przekraczającą płatność uiszczoną na rzecz INFICON za przyrząd oraz wstępnie opłacony transport zwracanego urządzenia. INFICON nie ponosi odpowiedzialności za jakiegokolwiek przypadkowe lub wynikowe szkody. Cała tego rodzaju odpowiedzialność jest WYŁĄCZONA.

23 Zwrot przyrządu w ramach gwarancji lub w celu naprawy

Skontaktuj się ze sprzedawcą hurtowym w celu uzyskania informacji o warunkach gwarancji i naprawie pozagwarancyjnej. Nie należy zwracać urządzenia bezpośrednio do firmy INFICON. Wszystkie przyrządy i części zwracane do INFICON w celu naprawy lub zwrotu kosztów zakupu należy odpowiednio zapakować i ubezpieczyć, pokrywając także wstępnie koszty ich transportu i uzyskując numer upoważniający do zwrotu produktu (RMA) przed jego zwrotem. Numer RMA należy umieścić na wszystkich etykietach przesyłki i listach przewozowych. W celu uzyskania pomocy skontaktuj się z dystrybutorem firmy INFICON. W przypadku pytań prosimy o kontakt z firmą INFICON pod numerem 800-344-3304 lub z lokalnym działem sprzedaży INFICON.

Innehållsförteckning

1	Försäkran om överensstämmelse	283
2	Försiktighets- och varningsanvisningar	284
3	Specifikationer	285
4	D-TEK Stratus	288
5	Vad är Cloud Hunting?	290
6	Ladda batteriet.....	291
7	Starta instrumentet och förbereda det för användning	292
8	Skärmlayout och symboler	293
9	Använda Cloud Hunting-läget (portabel monitor)	295
10	Använda lokaliseringsläget.....	297
11	Läge för manuell nollställning	298
12	Reglage för hörlurar och volym	299
13	Ta ut och installera litiumjonbatteriet.....	300
14	Ta bort och installera sensorn	301
15	Byta filter.....	302
16	Extralång sond.....	303
17	Nålsondförlängning.....	304
18	Valbara sensorer	305
19	Rengöring och förvaring	306
20	Reservdelar och tillbehör.....	307
21	Felsökningsguide.....	308
22	Garanti- och ansvarsbegränsning	310
23	Returnera instrumentet under garantin eller för reparation	311

1 Försäkran om överensstämmelse



EU-FÖRSÄKRAN OM ÖVERENSSTÄMMELSE

Endast tillverkaren INFICON är ansvarig att fylla i denna försäkran. Syftet med försäkran är att certifiera att denna utrustning, som är designad och tillverkad av:

INFICON Inc.
Two Technology Place
East Syracuse, NY 13057
USA

överensstämmer med relevant harmoniserad gemenskapslagstiftning. Anordningen har konstruerats i enlighet med god ingenjörssed avseende säkerhetsregler som gäller inom gemenskapen och utgör inte säkerhetsfara för personer, husdjur eller egendom, när den installeras och underhålls på avsett sätt och används för de tillämpningar för vilka den konstruerats.

Beskrivning av utrustningen:	D-TEK Stratus läckagedetektor för köldmedium och portabel monitor	
Modellnummer:	724-20x-Gxx	(gäller alla gruppnummer)
Tillämpliga direktiv:	2014/35/EU 2014/30/EU 2011/65/EG 2006/66/EG	LVD allmän EMC ändrat genom 2013/56/EU Batteridirektivet ändrat genom 2013/56/EU Batteridirektivet
Gällande normer:		
Säkerhet:	EN 61010-1:2010	Säkerhetskrav för elektrisk utrustning för mätning, kontroll och laboratoriebruk. Allmänna krav
	EN 62133:2013	Säkerhetskrav för elektrisk utrustning för mätning, kontroll och laboratoriebruk. CB-testcertifikat DK-73443-UL
	UL 2054	UL-säkerhetsstandard för hushållsbatterier och kommersiella batterier, cert 20180518-MH29443
	UL 60950-1 & CAN/CSA-C22.2 nr. 60950-1-07	UL-säkerhetsstandard för utrustning för informationsbehandling – Säkerhet – Del 1: Allmänna krav, cert 20180518-MH294
	FN 38.3	FN:s Manual of Tests and Criteria, del III, punkt 38.3. Säker transport av uppladdningsbara litiumjonbatterier
Emissioner:	EN 61326-1:2013	utgåva 2.0 (utstrålad, ledningsbunden och harmonisk emission) (EMC - mättnings-, kontroll- och laboratorieutrustning)
	CISPR 11/EN 55011:2009 (+A1:2010)	Emission standard for industrial, scientific, and medical (ISM) radio RF equipment, Class A
Immunitet:	EN 61326-1:2013	utgåva 2.0 (EMC – mättnings-, kontroll- och laboratorieutrustning) Immunitet enligt tabell A.1 – portabel testnings- och mättningsutrustning
RoHS	I överensstämmelse med	

CE-implementeringsdatum: 7 maj 2019

Auktoriserad representant:

Brian King
INFICON
Verkställande direktör – serviceverktyg
Two Technology Place
East Syracuse, NY USA 13057

Auktoriserad EU-representant

INFICON GmbH
50968 Köln, Bonner Str. 498

EVENTUELLA FRÅGOR AVSEENDE DENNA FÖRSÄKRAN ELLER INFOCONS PRODUKTERS SÄKERHET BÖR STÄLLAS SKRIFTLIGEN OCH SÄNDAS TILL DEN AUKTORISERADE REPRESENTANTEN PÅ OVAN NÄMND ADRSS.

2 Försiktighets- och varningsanvisningar

Försiktighetsanvisningar:

- Använd endast en certifierad laddare/sladd med effekt 5 V (likström) $\pm 5\%$, 1 A $\pm 5\%$.
- Exponera inte enheten för extremt hög eller extremt låg temperatur.
- Exponera inte batteriet för vätskor.
- Använd inte enheten om du upptäcker skador i batteriet.
- Demontera eller modifiera inte batteriet.
- Hantera och avyttra batteriet enligt lokala bestämmelser.
- Sluta omedelbart att ladda batteriet även om det inte är fulladdat efter att den angivna uppladdningstiden har förflutit.
- Lämna inte batteriet utan tillsyn medan det laddas.
- Koppla ur laddaren när batteriet är fulladdat.
- Felaktig användning eller avyttring av litiumjonbatterier kan orsaka brand.
- Detta instrument är inte avsett att användas i antändliga miljöer.
- Miljöer med höga radiofrekvenser kan utlösa falska alarm.



VARNING

Denna symbol används för att varna användaren om viktiga drifts- och skötselanvisningar (underhåll) i litteraturen som medföljer detta instrument.



VARNING

Att exponeras för hög koncentration av CO₂ eller köldmedel är farligt och kan vara livshotande.

Instrumentet är inte säkert att använda i giftiga eller riskfyllda miljöer. Det är inte en personlig skyddsutrustning eller en enhet som räddar liv. Var alltid mycket försiktig i miljöer som kan vara giftiga eller riskfyllda.



VARNING

Denna produkt är inte egensäker och ska inte användas där det finns explosiva ångor, explosivt damm eller andra explosiva kemikalier. Användning i en miljö med brandfarlig köldmedelskoncentration nära den undre explosionsgränsen kan leda till en explosion eller brand som resulterar i allvarig skada, död eller skada på egendom.

3 Specifikationer

Användning	inomhus/utomhus
Sensortyp	infraröd
Kompatibla köldmedier	Alla CFC, HCFC, HFC, HFO, blandningar (inklusive A2L) och CO ₂ ¹
Min. känslighet (lokaliseringsläge, superkänslighet)	1 g/år (0,03 uns/år) ²
Skärmupplösning (CloudHunting-läget)	1 ppm
Skärmområde (CloudHunting-läget)	0 till 9999 ppm
Riktighet (CloudHunting-läget, med renluftsreferens, R134a)	±1 ppm ±10 % av avläsningen
Batterityp	litiumjon
Typ av laddningång	micro-USB
Uppladdningstid (med start vid 0 %)	cirka 3 timmar
Batterilivslängd	cirka 8 timmar (molneftersökning) cirka 10 timmar (precision)
Inspänning	5 V (likström) ±5 %
Inström	1 A ±5 %
Uppvärmningsperiod	45–90 sekunder
Temperatur- och luftfuktighetsområden	
• Förvaring	-20–60 °C (-4–140 °F)
• Drift ³	-20–50 °C (-4–122 °F)
• Uppladdning	0–45 °C (32–113 °F)
• Luftfuktighet	95 % RH NC max
Altitud	2 000 m (6 500 ft.)
Föroreningsgrad	2
Överspänningskategori	2
Vikt (med batteri, ej inkluderat fodral eller tillbehör)	0,50 kg (1,10 lb.)

¹ Detektion av CO₂ kräver en CO₂-sensor.

² För att erhålla optimal prestanda och de specificerade känslighetsvärdena rekommenderar vi att man kör D-TEK Stratus 15 minuter före användning.

³ Användning i temperaturer som är lägre än 0 °C bör begränsas. Förlängd uppvärmningstid rekommenderas innan användning i låga vid temperaturer.

Specifikationstabell i överensstämmelse med EN 14624

	R134a	R1234yf
Min. känslighet, orörlig (statisk)	1 g/år	0,5 g/år
Max. känslighet, orörlig (statisk) ⁴	>50 g/år	>50 g/år
Min. känslighet, rörlig (dynamisk)	1 g/år	1 g/år
Max. känslighet, rörlig (dynamisk) ⁴	>50 g/år	>50 g/år
Min. svarstid/detektionstid	<1 sek.	<1 sek.
Nollställningstid	1–4 sek.	1–4 sek.
Återhämtningstid för exponering som är 50 g/år ⁵	7,6 sek.	6,4 sek.
Min. känslighet i förorenad miljö	>2 g/år	1 g/år
Kalibreringsfrekvens	Kontrollera årligen kalibrerad läckagestandard	

⁴ INFICON har inte specificerat en övre gräns för läckagedetektion, eftersom att det inte finns en övre gräns för hur stora läckage detektorn kan detektera.

⁵En läckagestandard för 32 g/år användes i stället för en läckagestandard för 50 g/år eftersom att det inte fanns en sådan tillgänglig vid testillfället.

SAE-tillämpningar

SAE-standarderna J2791 (R-134a) och J2913 (R-1234yf) specificerar känslighet för följande läckagestorlekar för de motsvarande inställningarna nedan. Superkänslighet gör enheten känsligare än vad SAE kräver för läckagekontroll i en ren miljö (fri från köldmedium i bakgrundsluften). Växla över till superkänslighet vid läckagekontroll i en förorenad miljö (hög koncentration av köldmediet i bakgrundsluften)

R-134a läckagehastighet (g/år)	R-1234yf läckagehastighet (g/år)	Känslighetsinställning
14	14	låg
7	7	medium
4	4	hög

Följande tabell listar några vanliga kemikalier som kan hittas under motorhuvar och indikerar huruvida de kommer att orsaka en falsk varning från D-TEK Stratus.

Genomför läckagetestet med motorn avstängd.

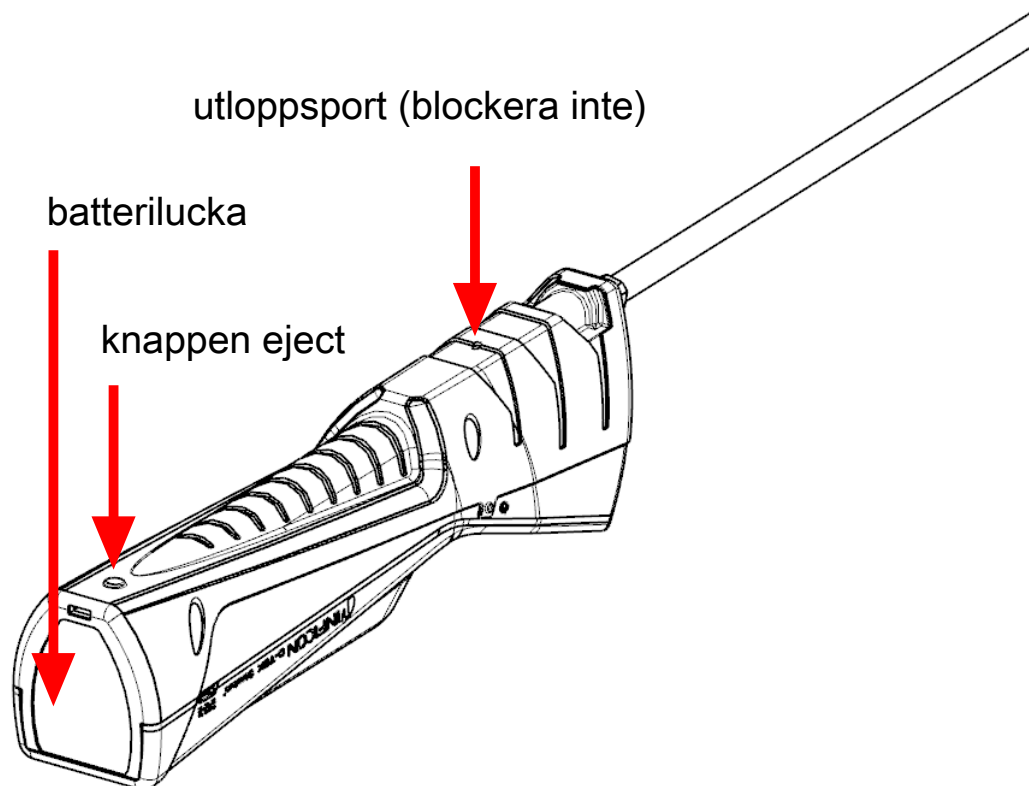
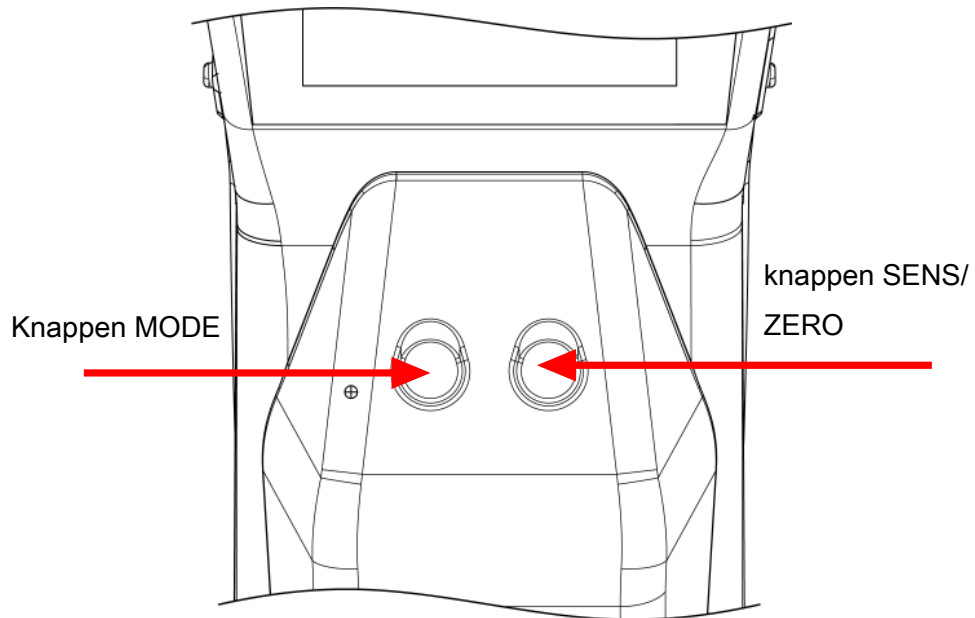
Kemikalie	Falsk varning
vindrutespolvätska (metanolbaserad)	ja
Ford™ fläckborttagningsmedel	ja
Ford penetrant och hämmare av rost	ja
Ford lim för packning och trim	ja
Permatex™ naturligt, blått rengörings och avfettningsmedel	ja
Ford rengöringsmedel för bromsdelar	ja
Ford spray förgasare rengöringsmedel för justering av motor	ja

Kemikalie	Falsk varning
Ford klart silikongummi	ja
Motorcraft™ G-05 frostsnydd-/kylmedel	nej
Gunk™-vätska skiftnyckel	nej
Ford pimpsten/lotion handrengöringsmedel	nej
Ford Motorcraft DOT3-bromsvätska	nej
Ford silikon-smörjmedel	nej
Dexron™ automatisk transmissionsvätska	nej
mineral-motorolja	nej

**Patent (under
behandling)**

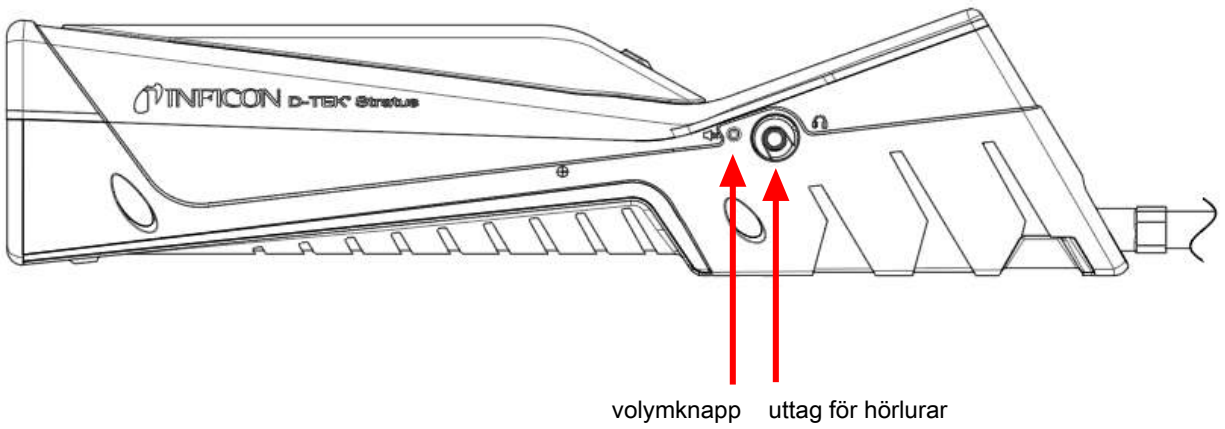
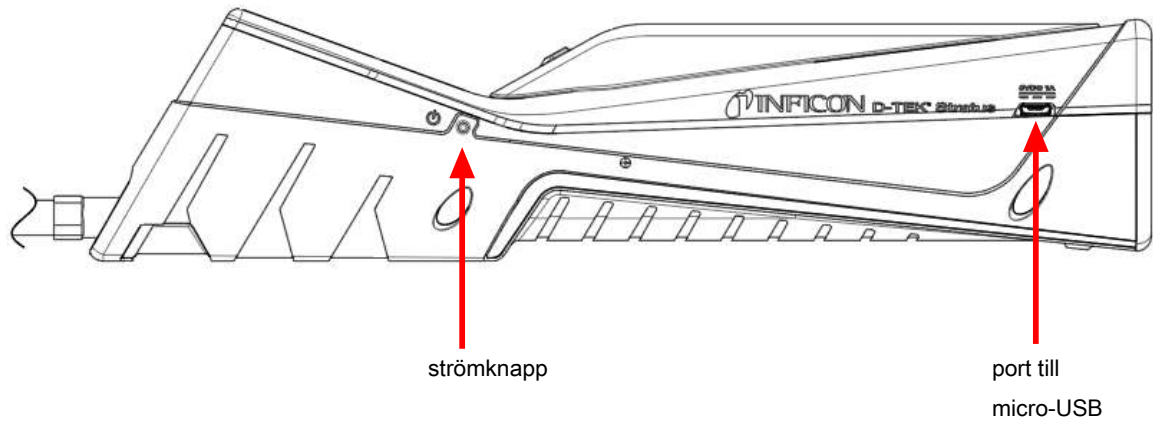
- Tillämpning #10 2018 206 877.1
- Tillämpning #18171080.7
- Tillämpning # 10 2018 208 826.8

4 D-TEK Stratus



Svenska

Svenska



Svenska

Svenska

5 Vad är Cloud Hunting?

Köldmedium som läcker från ett system sprids inte jämnt fördelat i luften.

Köldmediekoncentrationen är vanligtvis högre nära läckagekällan.

Köldmediedensiteten är inte densamma som luftdensiteten, vilket gör att "moln" tenderar att bildas i luften, vanligtvis närmare golvet. Dessa moln är färg- och luktlösa för de flesta köldmedierna. Vid läckagekontroll med en traditionell läckagedetektor kommer den troligtvis att varna vid kontakt med ett köldmediemoln. Detta hjälper dig inte att hitta läckaget eftersom att molnet kanske inte är nära läckagekällan.

D-TEK Stratus använder patentansökt teknologi för att visa köldmediekoncentrationen i luften i promille (ppm). Detta låter dig läsa av displayen och följa siffran för att hitta ytor där koncentrationen är högre, vilket leder dig till läckagekällan.

6 Ladda batteriet

D-TEK Stratus använder ett uppladdningsbart litiumjonbatteri som tillhandahålls delvis laddat. INFICON rekommenderar uppladdning av batteriet före användning. Vid användning av den medföljande laddaren eller laddningsvaggan kan ett tomt batteri laddas till upp till 80 % inom cirka 2 timmar och upp till 100 % inom cirka 3 timmar. Ett fulladdat batteri håller i cirka 8 till 10 timmar av aktiv användning, beroende på vilket läge som används och driftstemperaturen. En displayindikator visar hur många procent av batteriet som är kvar.



D-TEK Stratus kan användas medan den laddas.

7 Starta instrumentet och förbereda det för användning



Om skärmen inte aktiveras innebär det att batteriet nästan är urladdat och behöver laddas igen. D-TEK Stratus kan användas medan den laddas.

1. Tryck in strömknappen (instrumentets vänstersida) länge för att sätta D-TEK Stratus i lägena På eller Av.
⇒ I enlighet med aktuell variabel tidsinställning värms D-TEK Stratus upp i 45 till 90 sekunder. D-TEK Stratus är redo för användning efter uppvärmningen.
2. Tryck in knappen **MODE** för att växla läge. Nu kan du växla mellan lägena Cloud Hunting, lokalisering och Manual Zero.



D-TEK Stratus aktiveras alltid i det senast använda läget.



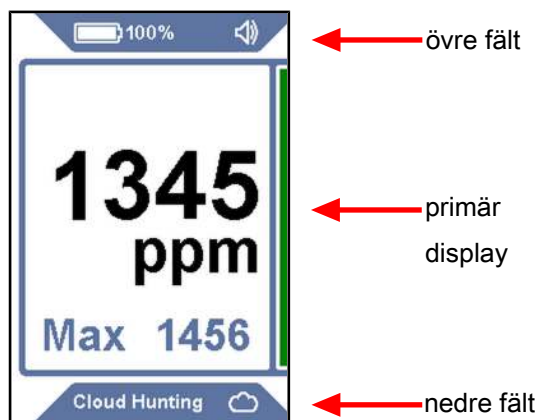
VARNING

Blockera inte utloppsporten.

Utloppsluftblockering kan resultera i falska larm och felaktiga avläsningar.

8 Skärmlayout och symboler

D-TEK Stratus visar alla indikatorer och all information på displayen. Displayen består av ett övre fält, en primär display och ett nedre fält.



Övre fält: Det övre fältet inkluderar batterisymbolen, batteriprocenten, sensorindikatorn (när en icke-standard sensor används) och ljudindikatorn.

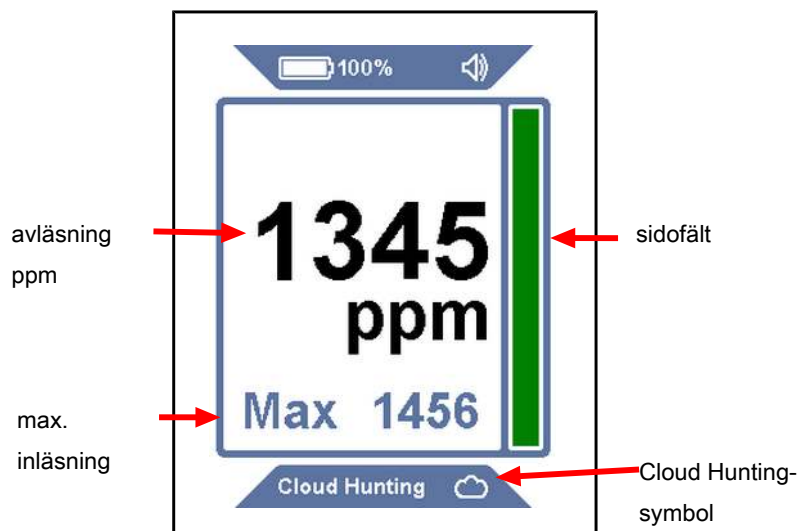
Symbol	Beskrivning
	batteriladdning är 75–100 %
	batteriladdning är 50–74 %
	batteriladdning är 30–49 %
	batteriladdning är 10–29 %
	batteriladdning är <10%
	batteriet laddas
	volymen är inställd till 100 % (standard)
	volymen är inställd till 50 %
	ljudet är avstängt
CO2	CO ₂ -sensor är installerad

Primär display: Den primära displayen visar den information som behövs för läckagekontroll. Den primära displayen innefattar ppm-avläsningen för **Cloud Hunting** och läckageindikatorer för lokalisering och **Manual Zero**.

Nedre fält: Det nedre fältet visar aktuellt läge och lägesindikatorns symbol. Det inkluderar även känsligheten för lokaliseringsläget.

Symbol	Beskrivning
	indikerar läget Cloud Hunting
	indikerar läget lokalisering
	indikerar läget Manual Zero
	känslighet = Super (Super) (visas endast i lokaliseringsläget)
	känslighet = Hög (High) (visas endast i lokaliseringsläget)
	känslighet = Medium (Medium) (visas endast i lokaliseringsläget)
	känslighet = Låg (Low) (visas endast i lokaliseringsläget)

9 Använda Cloud Hunting-läget (portabel monitor)



I Cloud Hunting-läget visar skärmen en ppm-avläsning och orden **Cloud Hunting** intill molnsymbolen längst ned. Sidofältet blir större eller mindre i samband med ändringar i ppm-avläsningen.



Det finns ingen känslighetsinställning i Cloud Hunting-läget.

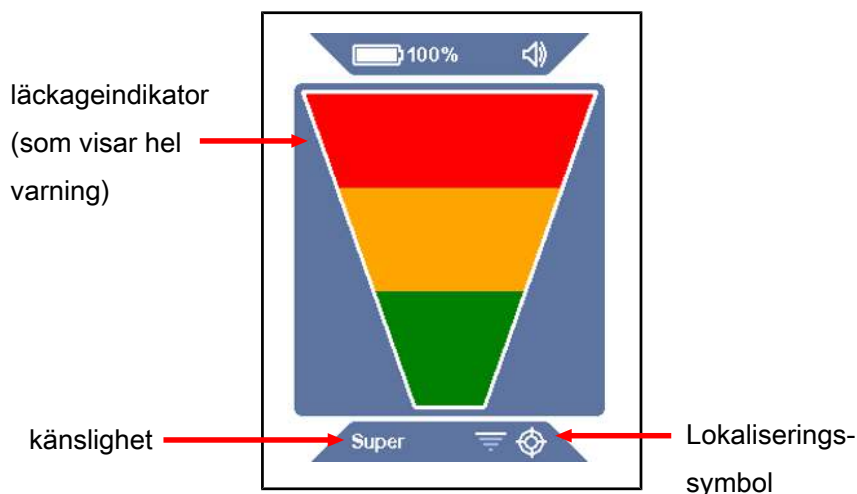
1. Manövrera långsamt över de misstänkta ytorna och observera ppm-avläsningen.
2. Följ ppm-avläsningen för att hitta ytor där koncentrationen av köldmedium är högre. Ju högre siffra, desto högre koncentration.
3. Tryck in knappen **SENS/ZERO** för att aktivera eller inaktivera funktionen MAX. När denna funktion är aktiverad visas den högsta observerade ppm-nivån nedanför den primära displayen. För att återställa MAX-avläsningen ska du trycka in knappen **SENS/ZERO** eller växla mellan att aktivera och inaktivera funktionen.



D-TEK Stratus använder en patentansökt växlingsventil i Cloud Hunting-läget för att konstant jämföra prov från sondspetsen med luften inuti läckagedetektorn (referensprovet). Denna teknik gör att D-TEK Stratus kan fungera utan ett kolfilter.

Referensprovet kan förorenas av köldmedium varigenom ppm-avläsningen ställs om till noll om enheten stannar i flera minuter där koncentrationen av köldmedium är hög. Om detta inträffar ska du förflytta enheten till en yta där luften är ren (medan den är i Cloud Hunting-läget) och vänta i några minuter tills referensprovet är rent igen.

10 Använda lokaliseringssläget



I lokaliseringssläget visar displayen en stor läckageindikator och en lokaliseringssymbol i det nedre fältet. Även aktuell känslighet indikeras i det nedre fältet. Detta läge fungerar som en standardmässig läckagedetektor med automatisk nollställning, där indikatorstaplarna lyser upp för att indikera när ett läckage detekteras.

1. Placera D-TEK Stratus spets så nära det misstänkta läckaget som möjligt (blockera inte luftflödet).
2. För långsamt spetsen förbi alla misstänkta läckagepunkter.
 - ⇒ D-TEK Stratus avger en varningssignal och displayindikatorn börjar lysa om ett läckage detekteras.
3. När ett läckage identifieras ska du avlägsna spetsen från läckaget i några sekunder och sedan kontrollera platsen igen för att verifiera läckaget.

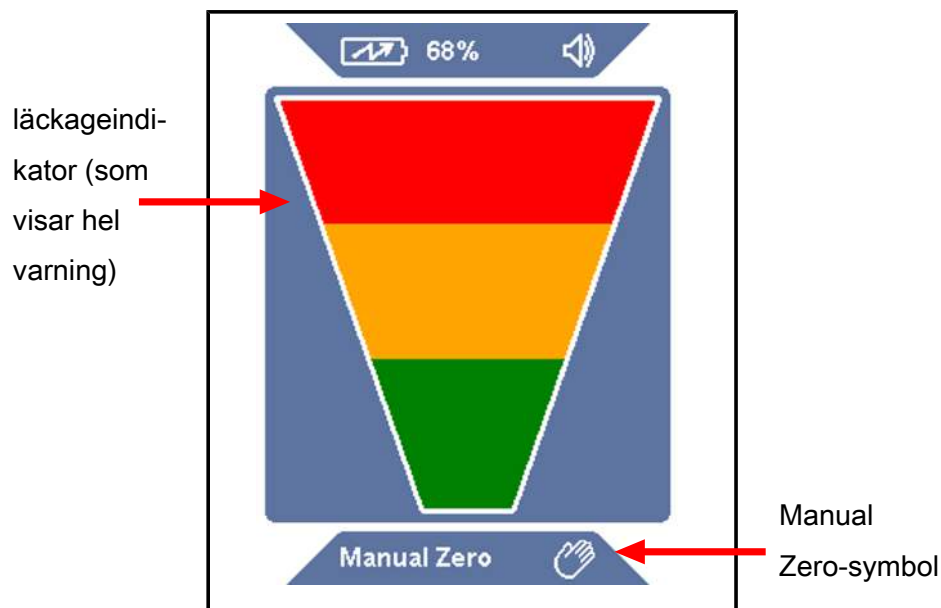


I lokaliseringssläget nollställs D-TEK Stratus automatiskt till köldmediet i bakgrundsluften och varnar endast igen vid förekomst av en högre koncentration av köldmedium. När detta inträffar kan du antingen fortsätta leta efter en högre koncentration av köldmedium eller föra spetsen till en yta där koncentrationen av köldmedium är lägre och avvakta i några sekunder för att återställa nollpunkten.



Tryck in knappen **SENS/ZERO** för att byta känslighetsinställning. Det kan vara enklare att lokalisera en läckagepunkt för ett större läckage om man använder en lägre känslighetsinställning. Aktuell känslighet visas i det nedre fältet.

11 Läge för manuell nollställning



Läget för manuell nollställning liknar lokaliseringsläget i utseende och funktion, men känns igen genom texten Manuell nollställning och symbolen för manuell nollställning i det nedre fältet. I läget för manuell nollställning kan användaren manuellt nollställa till köldmediet i bakgrundsluften vid intryckning av knappen **SENS/ZERO**. När den nya nollpunkten är inställd kommer D-TEK Stratus inte att larma om inte en högre koncentration av köldmedium detekteras.

Ljudsignalen i läget för manuell nollställning avges i kortare, jämfört med andra lägen, intervaller vid nollpunkten. Ljudsignalen saktar ned om koncentrationen är lägre än den aktuella nollpunkten. Detta låter användaren veta om denne rör sig bort från läckaget genom att lyssna efter en förändring i pipstigheten.



Det finns ingen känslighetsinställning i läget för manuell nollställning.



Läget för manuell nollställning kräver en längre uppvärmningstid på upp till 15 minuter för optimal prestanda.

12 Reglage för hörlurar och volym

Ett hörlursuttag finns på den högra sidan av D-TEK Stratus för att kunna lyssna på larmljuden med hörlurar.



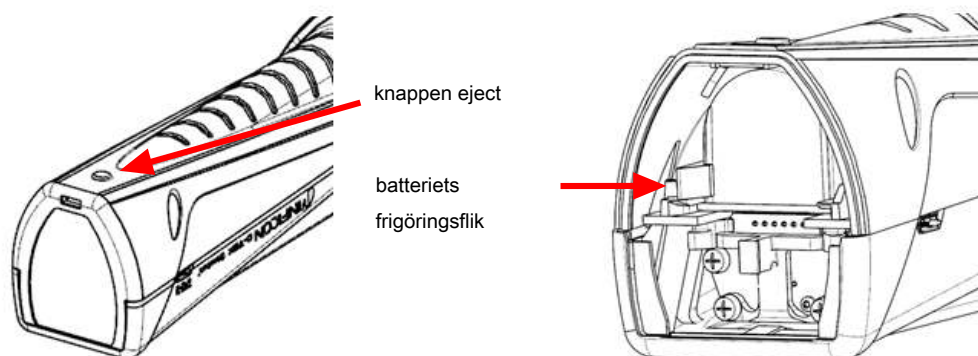
VARNING

lakttä försiktighet för att undvika hörselskada vid användning av hörlurar som inte har tillhandahållits av INFICON.

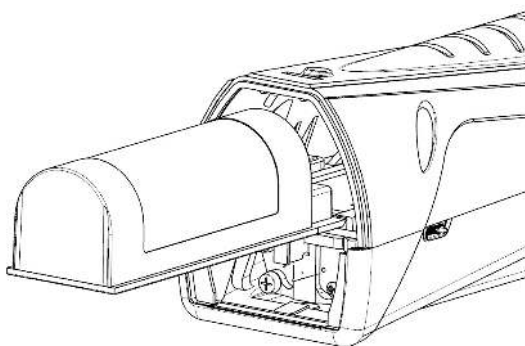
Det finns en volymknapp intill hörlursuttaget. Tryck in volymknappen för att växla från 100 % volym till 50 % volym eller för att stänga av ljudet. Standardvolymen vid start är 100 %. När hörlurarna är inkopplade växlar volymen mellan 100 % volym och ljudlös.

13 Ta ut och installera litiumjonbatteriet

1. Tryck in eject baktill på D-TEK Stratus och ta av batteriluckan.



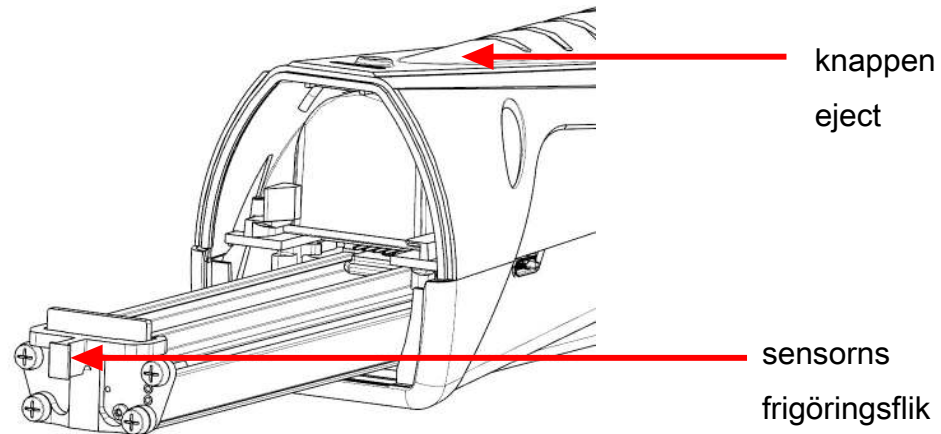
2. Ta ut batteriet genom att föra dess frigöringsflik åt sidan tills batteriet börjar matas ut. Skjut ut batteriet.
3. Rikta in batteriet med skenorna.



4. Tryck försiktigt batteriet längs skenorna tills frigöringsfliken snäpps fast.
⇒ Tvinga inte in batteriet. Kontrollera inriktningen och försök igen om det tar emot när du försöker föra in batteriet.
5. Sätt tillbaka batteriluckan.

14 Ta bort och installera sensorn

D-TEK Stratus använder en kassettsensor som snabbt och enkelt kan avlägsnas och bytas ut under drift. Utöver standardsensorn erbjuder INFICON en CO₂-sensor för användning i kylnings- och luftkonditioneringstillämpningar. Se Reservdelar och tillbehör [▶ 307].

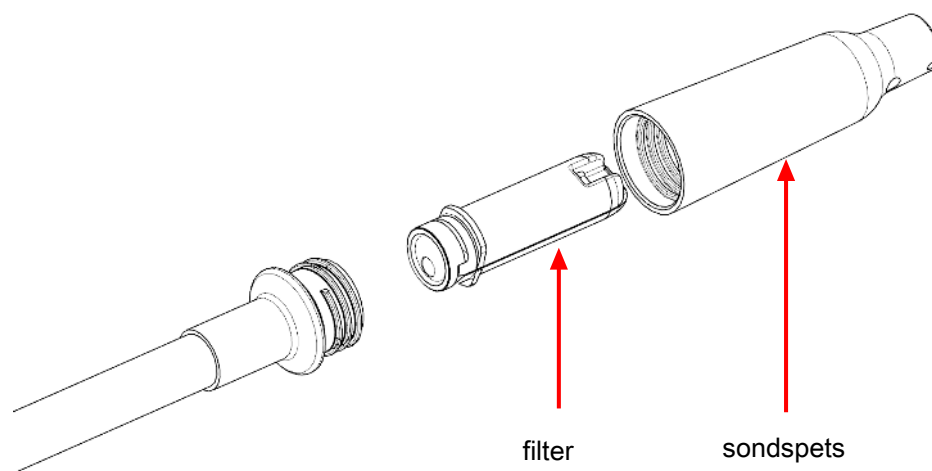


För att byta ut sensorn:

1. Tryck in eject baktill på D-TEK Stratus och ta av batteriluckan.
2. Ta tag i sensorns frigöringsflik och dra ut den försiktigt.
3. Inrikta den nya sensorn med skenorna.
4. Tryck sensorn försiktigt längs skenorna tills den är helt monterad.
 - ⇒ Tvinga inte in sensorn. Kontrollera inriktningen och försök igen om det tar emot när du försöker föra in sensorn
5. Sätt tillbaka batteriluckan.

15 Byta filter

D-TEK Stratus använder ett hydrofobfilter av kassettyp som låter luft och köldmedier passera genom det samtidigt som vatten, smuts och olja filtreras ut. Undersök den vita duken för att fastställa om filtret behöver bytas ut. Installera ett nytt filter om duken är missfärgad. Att byta ut filtret är dessutom ett enkelt felsökningssteg om du misstänker att din läckagedetektor inte fungerar korrekt. Ett tilltäppt luftfilter kan begränsa provluftsfloppet.



Luffflödet kan blockeras om filtret exponeras för vatten eller olja. Om detta inträffar ska du avlägsna filtret med sonden riktad nedåt för att undvika att sonden förorenas och sedan installera ett nytt filter. Ett blött filter kan återanvändas efter att det har torkat.



⚠ FÖRSIKTIGHET

Använd aldrig instrumentet utan en sondspets och ett filter.

För att byta ut filtret:

1. Skruva bort sondspetsen och avlägsna filtret.
2. För in det nya filtret i sonden.
3. Skruva fast sondspetsen. Dra inte åt för hårt.

16 Extralång sond

D-TEK Stratus inkluderar en extralång ersättningssond för läckagekontroll i svåråtkomliga områden.

För att installera den extralånga sonden:

1. Använd en 10 mm skruvnyckel för att skruva bort standardsonden från D-TEK Stratus.
2. Skruva fast den extralånga sonden till cirka 4 N m (35 in lbs). Dra inte åt för hårt.
3. Skruva av sondspetsen från standardsonden och avlägsna filtret (eller använd ett nytt).
4. För in det nya filtret i den extralånga sonden.
5. Skruva fast sondspetsen i den extralånga sonden. Dra inte åt för hårt.

17 Nålsöndförlängning

Den tillvalbara nålsöndförlängningen gör det möjligt att kontrollera läckage i snäva utrymmen och i isolering. Denna sond är spetsig för att enkelt kunna punktera isolering och ta sig in i snäva utrymmen.

För att installera nålsöndförlängningen:

1. Skruva av sondspetsen. Lämna kvar filtret.
2. För in det nya filtret i sondspetsen.
3. Skruva fast sondspetsen. Dra inte åt för hårt.

18 Valbara sensorer

Valbara sensorer finns tillgängliga för användning i applikationer med CO₂ (PN 724-701-G2) eller brandfarligt köldmedel (PN 724-701-G3). För att använda sensorn för CO₂ eller brandfarligt köldmedel, ta bort standardsensorn och installera den nya sensorn genom att följa instruktionerna i Ta bort och installera sensor [▶ 301]. D-TEK Stratus känner automatiskt igen sensortypen och **MODE**-indikatorn lyser upp i lämplig färg för att indikera sensortypen under hela tiden sensorn är installerad. Grön indikerar CO₂, röd indikerar brandfarligt köldmedel och orange indikerar att standardsensorn för köldmedel är installerad.



Om D-TEK Stratus inte automatiskt känner igen din sensor för brandfarligt köldmedel, kontakta INFICON för att ordna ett programvarutest.



Sensorn för brandfarligt köldmedel detekterar inte väte, inklusive skyddsgas innehållande kväve.



Om du letar efter CO₂-läckor rekommenderas det att du bär en gasmask eller andningsmask för att undvika att andas ut CO₂ mot sonden.



⚠ VARNING

Att exponeras för hög koncentration av CO₂ eller köldmedel är farligt och kan vara livshotande.

Instrumentet är inte säkert att använda i giftiga eller riskfyllda miljöer. Det är inte en personlig skyddsutrustning eller en enhet som räddar liv. Var alltid mycket försiktig i miljöer som kan vara giftiga eller riskfyllda.



⚠ VARNING

Denna produkt är inte egensäker och ska inte användas där det finns explosiva ångor, explosivt damm eller andra explosiva kemikalier. Användning i en miljö med brandfarlig köldmedelskoncentration nära den undre explosionsgränsen kan leda till en explosion eller brand som resulterar i allvarlig skada, död eller skada på egendom.


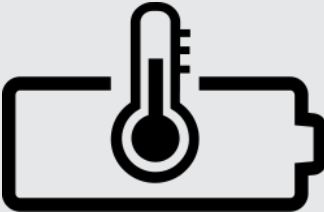
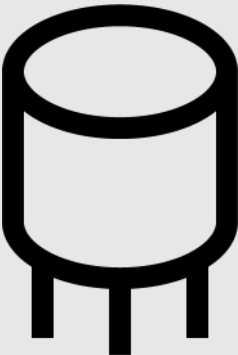
19 Rengöring och förvaring

D-TEK Stratus kan rengöras med ett mildt rengöringsmedel eller isopropylalkohol. Se till att inget rengöringsmedel tränger in i instrumentet. Rengör inte med bensin, aceton eller andra starka lösningsmedel som kan skada plastkomponenterna eller displayen.

20 Reservdelar och tillbehör

reservfodral	724-700-G1
hörlurar	721-607-G1
12 V (likström) billaddare	721-605-G1
Väggaddare växelström (inklusive pluggar för flera regioner)	721-606-G1
litiumjonbatteri	721-702-G1
laddningsvagg till batteri	721-610-G1
kombination av batteri/laddningsvagg	721-604-G1
standardsensor (detekterar CFC, HCFC, HFC, HFO och blandningar (inklusive A2L))	724-701-G1
CO ₂ -sensor	724-701-G2
Sensor för brandfarligt köldmedel (HC)	724-701-G3
filterkassetter (5 stycken)	712-707-G1
reservsondhölje	712-705-G1
nålsondförlängning	721-612-G1
extralång sond	721-611-G1
TEK-Check R134a läckageprovning	703-080-G10

21 Felsökningsguide

Problem	Orsak	Åtgärd
Följande symbol visas: 	Ett batterifel har inträffat. Detta kan orsakas av ett trasigt batteri eller av att batteriet är felaktigt installerat eller har dålig anslutning.	Ta ut och installera om batteriet. Sätt i ett nytt batteri om problemet kvarstår. Se Ta ut och installera litiumjonbatteriet [► 300].
Följande symbol visas: 	Batteriets temperatur kanske är för hög eller för låg och det kanske inte laddas ordentligt.	Avvakta tills batteriet har nått dess normala temperatur.
Följande symbol visas: 	Ett sensorfel har inträffat. Detta kan orsakas av en trasig sensor eller av att sensorn är felaktigt installerad eller har dålig anslutning.	Ta bort och installera om sensorn. Byt ut sensorn om problemet kvarstår. Se Ta bort och installera sensorn [► 301].
Displayen aktiveras inte efter en lång intryckning av strömknappen.	Batterinivån är kritiskt låg.	Ladda batteriet eller anslut enheten till en laddare.
Enheten startas men detekterar inte något köldmedium.	Enheten är inte tillräckligt uppvärmd (en kaffekopp visas).	Vänta tills uppvärmningen är slutförd. Detta tar mellan 45 och 90 sekunder.
	Filtret är tilltäppt, vilket begränsar luftflödet.	Byt ut filterkassetten. Se Byta filter [► 302].
	Pumpen fungerar inte korrekt.	Lyssna efter pump ljudet. Kontakta INFICON om pumpen är helt tyst även fast batteriet är tillräckligt laddat.

Problem	Orsak	Åtgärd
	Känsligheten är för lågt inställd (endast lokaliseringsläget).	Verifiera känslighetsnivån. Använd Hög eller Super för väldigt små läckage.
	Fel sensor är installerad.	Verifiera att rätt sensor används (köldmediumsensor eller CO ₂ -sensor).
	Referensprovet är förorenat (Cloud Hunting-läget).	Kör D-TEK Stratus i ren luft i upp till fem minuter när den är i Cloud Hunting-läget.
Enheten signalerar när den är i ren luft.	Utloppsporten är blockerad.	Verifiera att utloppsporten inte är blockerad.
	Fel sensor är installerad.	Verifiera att köldmediumsensorn är installerad i stället för CO ₂ -sensorn.
Ppm sjunker till noll i ett förorenat område.	Referensprovet kan vara förorenat.	Kör D-TEK Stratus i ren luft i upp till fem minuter när den är i Cloud Hunting-läget.
Pumpen är helt tyst.	Pumpen fungerar inte korrekt.	Kontakta INFICON om batteriet är tillräckligt laddat.

22 Garanti- och ansvarsbegränsning

INFICON tillhandahåller en garanti som täcker materialfel och produktionsfel i D-TEK Stratus läckagedetektor för köldmedium och portabel monitor i ett eller två år (beroende på region) från inköpsdatum. INFICON:s garanti täcker inte artiklar, inklusive batterier, sensorer och filter, som försämras till följd av normal användning. Därutöver täcker inte INFICON:s garanti heller instrument som behöver bytas ut till följd av felaktig användning, försummelse, olyckor eller reparationer eller modifieringar utförda av någon annan än INFICON. Det ansvar som INFICON har är begränsat till instrument som returneras, genom förbetald transport, till INFICON absolut senast trettio (30) dagar efter att garantiperioden förfaller, under förutsättning att INFICON anser att felfunktionen är en följd av material- eller produktionsfel. Det ansvar som INFICON har är begränsat till, och föremål för företagets valfrihet, reparation eller byte av det felfungerande instrumentet eller de trasiga delarna. Denna garanti ska gälla framför alla övriga garantier, uttryckta eller underförstådda, avseende SÄLJBARHET, LÄMPLIGHET FÖR AVSETT ÄNDAMÅL eller övrigt. Vi förnekar uttryckligen alla sådana övriga garantier. INFICON ansvarar inte för om kunden betalar för mycket till INFICON för instrumentet eller för förbetalda returtransporter. INFICON ansvarar inte för oavsiktliga skador eller följdskador. Alla sådana skyldigheter är EXKLUDERADE.

23 Returnera instrumentet under garantin eller för reparation

Kontakta din grossist för en garantiutvärdering eller reparation som inte omfattas av garantin. Returnera inte enheten direkt till INFICON. Alla instrument och delar som returneras till INFICON för reparation eller kredit ska paketeras och försäkras ordentligt. Dessutom ska ett RMA-nummer utfärdas och transporten förskottsbetalas innan materialet returneras. Alla leveransetiketter och följesedlar ska märkas med RMA-numret. Kontakta din INFICON-distributör för hjälp. Kontakta INFICON via 800-344-3304, eller kontakta ditt lokala INFICON-försäljningskontor, om du har några frågor.

İçindekiler

1 Uygunluk Beyanı	313
2 Dikkat ve Uyarı İbareleri	314
3 Teknik Özellikler	316
4 D-TEK Stratus	319
5 Cloud Hunting nedir?.....	321
6 Akünün Şarj Edilmesi	322
7 Cihazın Açılması ve Kullanıma Hazırlık.....	323
8 Ekran Yerleşimi ve Semboller	324
9 Cloud Hunting (Portatif Monitör) Modunun Kullanılması	326
10 Nokta Atışı Modunun Kullanılması	328
11 Manual Zero Modu	329
12 Kulaklıklar ve Ses Seviyesi Kontrolü	330
13 Lityum İyon Akünün Çıkarılması ve Takılması	331
14 Sensörün Çıkarılması ve Takılması.....	332
15 Filtrelerin Değiştirilmesi	333
16 Ekstra Uzun Prob	334
17 İğne Tipi Prob Uzatması	335
18 Karbondioksit Sensörleri.....	336
19 Temizlik ve Saklama.....	337
20 Yedek Parçalar ve Aksesuarlar	338
21 Arıza Giderme Kılavuzu.....	339
22 Garanti ve Sorumluluk Sınırlandırması.....	341
23 Cihazın Garanti ve Onarım İçin İade Edilmesi.....	342

1 Uygunluk Beyanı



**AB
UYGUNLUK
BEYANI**

Bu beyan, yalnızca üretici olarak INFICON'un sorumluluğu altında düzenlenmiştir. Bu beyanın amacı,

**INFICON Inc.
Two Technology Place
East Syracuse, NY 13057
USA**

tarafından tasarlanan ve üretilen cihazın ilgili Topluluk harmonizasyon mevzuatıyla uyumlu olduğunu belgelendirmektedir. It has been constructed in accordance with good engineering practice in safety matters in force in the Community. Toplulukta yürürlükte olan güvenlik konularındaki iyi mühendislik uygulamalarına uygun olarak inşa edilmiş olup kendileri için üretilmiş olduğu uygulamalarda uygun şekilde monte edildiği, muhafaza edildiği ve kullanıldığı sürece insanların, evcil hayvanların veya mülklerin güvenliğini tehlikeye atmaz.

Ekipman Tanımı:	D-TEK Stratus Soğutucu Gaz Kaçak Detektörü ve Portatif Monitör	
Model Numarası:	724-20x-Gxx	(Tüm Grup üyeleri için geçerlidir)
Geçerli Direktifler:	2014/35/EU	LVD
	2014/30/EU	Genel EMC
	2011/65/EU	2015/863/EU RoHS ile düzeltilmiş haliyle
	2006/66/EC	2013/56/EU Akü Direktifi ile düzeltilmiş haliyle
Geçerli Standartlar:		
Güvenlik:	EN 61010-1:2010	Ölçüm, kontrol ve laboratuvar kullanımına yönelik elektrikli ekipmanlar için güvenlik gereklilikleri. Genel gereklilikler
	EN 62133:2013	Portatif uygulamalarda kullanılmak üzere sızdırmazlığı sağlanmış portatif ikinci hücreler ve bunlardan yapılmış aküler için güvenlik gereksinimleri. CB Test Sert DK-73443-UL
	UL 2054	UL Güvenlik Standardı Ev Tipi ve Ticari Aküler Sert 20180518-MH29443
	UL 60950-1 & CAN/CSA-C22.2 No. 60950-1-07	UL Güvenlik Standardı Bilgi Teknolojileri Ekipmanları – Güvenlik – Bölüm 1: Genel Gereklilikler Sert 20180518-MH294
	UN 38.3	UN Testler ve Kriterler Kılavuzu, Bölüm III, Alt bölüm 38.3. Li-Ion Şarj Edilebilir Akülerin Güvenli Şekilde Nakledilmesi
Emisyonlar:	EN 61326-1:2013	Sürüm 2.0 (Işıyan, İletilen ve Harmonik Emisyonlar) (EMC Ölçüm, Kontrol ve Laboratuvar Ekipmanları)
	CISPR 11/EN 55011:2009 (+A1:2010)	Sınıf A endüstriyel, bilimse ve tıbbi (ISM) radyo RF ekipmanları için emisyon standardı
Bağışıklık:	EN 61326-1:2013	Sürüm 2.0 (EMC – Ölçüm, Kontrol ve Laboratuvar Ekipmanları) Tablo A.1 – Portatif Test ve Ölçüm Ekipmanları için Bağışıklık
RoHS	Uyumlu	
CE Uygulama Tarihi:	7 Mayıs, 2019	

Yetkili Temsilci:
Brian King
INFICON
General Manager – Service Tools
Two Technology Place
East Syracuse, NY USA 13057

AB Yetkili Temsilcisi
INFICON GmbH
50968 Köln, Bonner Str. 498

BU BEYAN VEYA INFICON'UN ÜRÜNLERİNİN GÜVENLİĞİ İLE İLGİLİ TÜM SORULAR, YUKARIDAKİ ADRESTEKİ YETKİLİ TEMSİLÇİLERE YAZILI OLARAK YAPILMALIDIR

2 Dikkat ve Uyarı İbareleri

Dikkat ibareleri:

- Yalnızca 5 V (dc) \pm %5, 1 A \pm %5 çıkış gücüne sahip sertifikalı bir şarj cihazı/kablo kullanın..
- Cihazı aşırı yüksek veya düşük sıcaklığa sahip yerlerden uzak tutun.
- Aküyü sıvıya maruz bırakmayın.
- Aküde herhangi bir hasar görmeniz halinde cihazı kullanmayın.
- Aküyü açmayın veya üzerinde değişiklik yapmayın.
- Aküyü yerel yönetmeliklere göre ele alın.
- Belirtilen şarj süresinin geçmesine rağmen Şarj işlemi tamamlanamıyorsa şarj işlemine kesinlikle devam etmeyin.
- Şarj işlemi sırasında aküyü gözetimsiz bırakmayın.
- Akü tamamen şarj olduğunda şarj cihazının fişini çıkarın.
- Lityum iyon pillerin uygun olmayan şekillerde kullanılması yangına neden olabilir.
- Bu cihaz yanıcı ortamlarda kullanılmamalıdır.
- Yüksek RF ortamları yanlış bir alarma neden olabilir.



WARNING

Bu cihaza ilişkin basılı materyallerde yer alan bu sembol, kullanıcıyı önemli çalışma ve bakım (servis) talimatlarının mevcudiyeti konusunda uyarmak için kullanılır.



WARNING

Yüksek CO₂ veya soğutucu konsantrasyonlarına maruz kalınması tehlikelidir ve hayati tehdit oluşturabilir.

Cihaz zehirleyici veya tehlikeli ortamlarda kullanılmamalıdır. Bu bir kişisel korunma veya yaşam kurtarma cihazı değildir. Potansiyel olarak zehirleyici veya tehlikeli ortamlarda son derece dikkatli olun.

**⚠ WARNING**

Bu ürün kendinden emniyetli değildir ve patlayıcı dumanların, patlayıcı tozların veya diğer patlayıcı kimyasalların bulunduğu ortamlarda kullanılmamalıdır. LEL'ye (alt patlama sınırı) yaklaşan yanıcı soğutucu konsantrasyonlarının bulunduğu kullanılması halinde ciddi yaralanmalara, ölüme veya maddi hasara neden olacak bir patlama meydana gelebilir.

3 Teknik Özellikler

Kullanım	iç mekan/dış mekan
Sensör tipi	kızılötesi
Uyumlu soğutucu gazlar	Tüm CFC'ler, HCFC'ler, HFC'ler, HFO'lar, bunların karışımları (A2L'ler dahil) ve CO ₂ ¹
Minimum hassaslık (Nokta Atışı modu, Süper hassaslık)	1 g/yıl (0,03 ons/yıl) ²
Ekran çözünürlüğü (Cloud Hunting modu)	1 ppm
Ekran aralığı (Cloud Hunting modu)	0–9999 ppm
Kesinlik (Cloud Hunting modu, temiz hava referansı ile, R134a)	±1 ppm ±%10 (okuma)
Akü tipi	lityum iyon
Şarj girişi tipi	micro USB
Şarj süresi (%0'dan başlayarak)	yaklaşık 3 saat
Akü ömrü	yaklaşık 8 saat (Cloud Hunting) yaklaşık 10 saat (Pinpoint)
Giriş voltajı	5 V (dc) ±%5
Giriş akımı	1 A ±%5
Isınma süresi	45–90 saniye
Sıcaklık aralıkları ve nem	
• Saklama	-20–60°C (-4–140°F)
• Çalışma ³	-20–50°C (-4–122°F)
• Şarj	0–45°C (32–113°F)
• Nem	%95 RH NC maksimum
Rakım	2000 m (6500 ft.)
Kirlilik derecesi	2
Aşırı voltaj kategorisi	2
Ağırlık (akü ile; taşıma çantası veya aksesuarlar dahil değildir)	0,50 kg (1,10 lb.)

¹ CO₂'nin tespit edilmesi isteğe bağlı bir CO₂ sensörü gerektirir.

² İdeal performansa ve belirtilen hassaslıklara ulaşmak için D-TEK Stratus'un kullanılmadan önce 15 dakika çalıştırılması önerilir.

³ 0°C'nin (32°F) altındaki sıcaklıklarda kullanımı sınırlandırılmalıdır. Düşük sıcaklıklı ortamlarda kullanılmadan önce ısınma süresinin uzun tutulması önerilir.

EN 14624 uyarınca teknik özellikler tablosu

	R134a	R1234yf
Minimum hassaslık, sabit (statik)	1 g/yıl	0,5 g/yıl
Maksimum hassaslık, sabit (statik) ⁴	>50 g/yıl	>50 g/yıl
Minimum hassaslık, hareketli (dinamik)	1 g/yıl	1 g/yıl
Maksimum hassaslık, hareketli (dinamik) ⁴	>50 g/yıl	>50 g/yıl
Minimum tepki/algılama süresi	<1 sn	<1 sn
Sıfırlama süresi	1–4 sn	1–4 sn
50 g/yıl maruz kalma için geri kazanma süresi ⁵	7,6 sn	6,4 sn
Kirli ortamlarda minimum hassaslık	>2 g/yıl	1 g/yıl
Kalibrasyon sıklığı	Kalibre edilmiş kaçak standardı ile yılda bir kez kontrol edin	

⁴ INFICON tarafından üst kaçak saptama sınırı belirlenmiştir. Bu nedenle detektörün algılayabileceği kaçığın boyutu açısından bir sınır yoktur.

⁵ Test sırasında 50 g/yıl kaçak standardı mevcut olmadığı için bunun yerine 32 g/yıl kaçak standardı kullanılmıştır.

SAE Uygulamaları

SAE standartları olan J2791 (R-134a) ve J2913 (R-1234yf), aşağıda karşılık gelen ayarlar için aşağıdaki kaçak boyutlarına göre hassaslığı belirler. Süper hassasiyet, (arka planda soğutucu gaz olmayan) temiz bir ortamda kaçak kontrolü için SAE tarafından şart koşulandan daha hassastır. Kirli bir ortamda (arka planda yüksek miktarda soğutucu gaz) kaçak kontrol yapılıyorsa Süper hassasiyet moduna geçin.

R-134a leak rate (g/yr)	R-1234yf leak rate (g/yr)	Hassasiyet Ayarı
14	14	düşük
7	7	orta
4	4	yüksek

Aşağıdaki tabloda kaputun altındaki bazı yaygın kimyasallar listelenmekte olup D-TEK Stratus'tan yanlış bir tetiğe neden olup olmayacaklarını göstermektedir.

Kaçak testini motor durdurulmuş halde yapın.

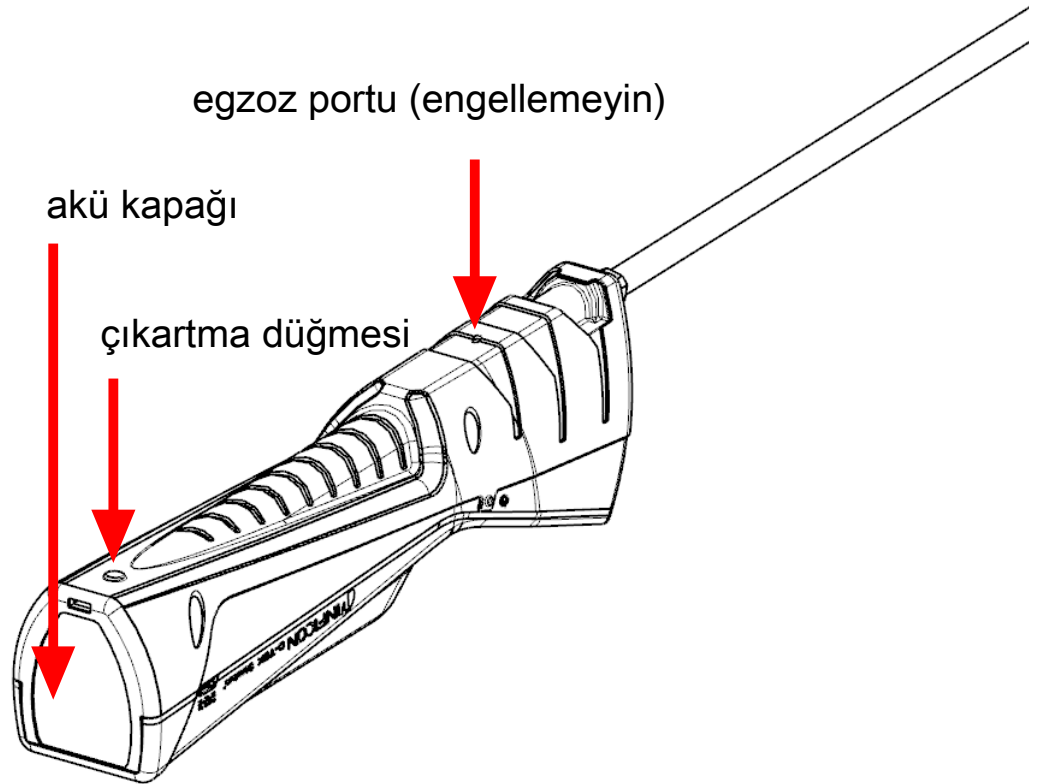
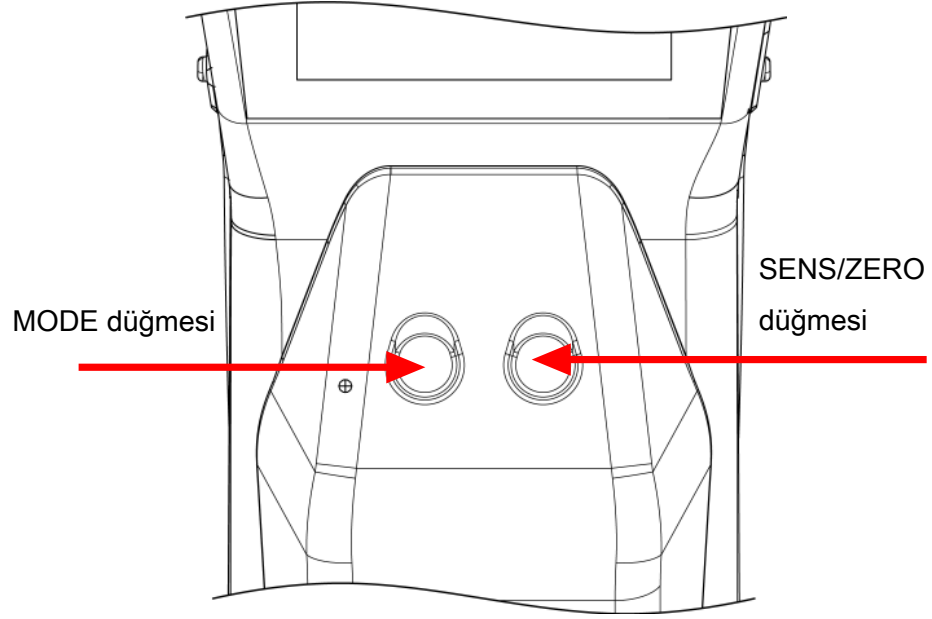
Kimyasal	Yanlış Tetik
Ön cam yıkayıcı çözücüsü (metanol bazlı)	evet
Ford™ leke ve kir giderici	evet
Ford pas penetranı ve engelleyicisi	evet
Ford conta ve trim yapışkanı	evet
Permatex™ doğal mavi temizleyici ve gres giderici	evet
Ford fren parçaları temizleyicisi	evet
Ford sprey karbüratör ayarlama temizleyicisi	evet

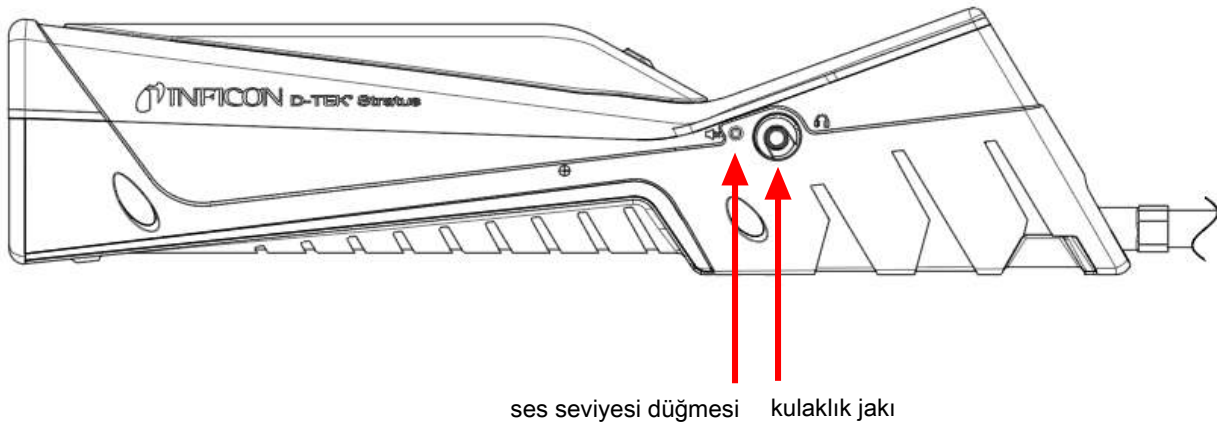
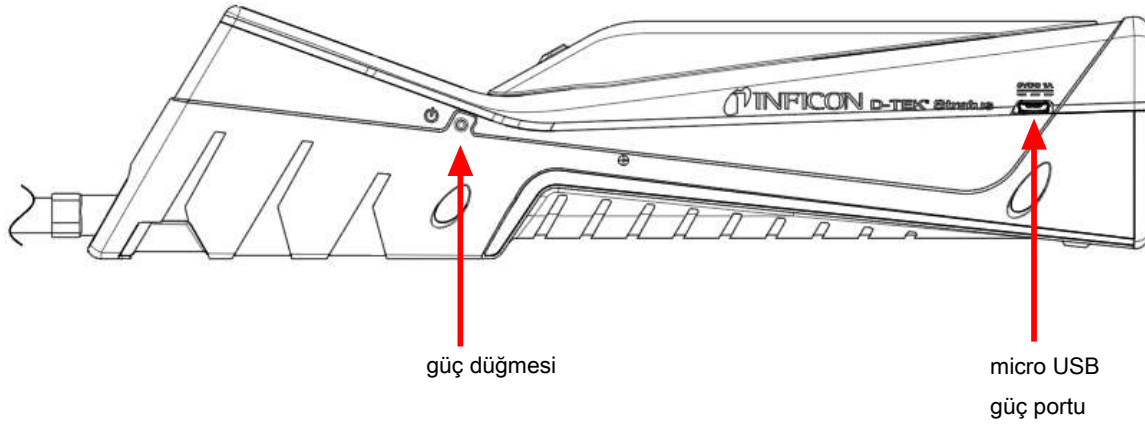
Kimyasal	Yanlış Tetik
Ford temiz silikon lastik	evet
Motorcraft™ G-05 antifriz/soğutma sıvısı	hayır
Gunk™ sıvı anahtar	hayır
Ford ponza/losyon el temizleyici	hayır
Ford Motorcraft DOT3 fren hidroliği	hayır
Ford silikon yağlayıcı	hayır
Dexron™ otomatik şanzıman hidroliği	hayır
madeni motor yağı	hayır

Patentler (Bekleniyor)

- Uygulama #10 2018 206 877.1
- Uygulama #18171080.7
- Uygulama # 10 2018 208 826.8

4 D-TEK Stratus





5 Cloud Hunting nedir?

Sistemden soğutucu gaz kaçağı olduğunda bu gaz havada aşırı eşit bir şekilde dağılmaz. Soğutucu gaz konsantrasyonu genellikle kaçağın kaynağının yakınında daha yüksektir. Ayrıca soğutucu gazın özgül ağırlığı havanınkinden farklıdır; bu yüzden havada, tipik olarak zemine daha yakın bulutlar oluşma eğilimi ortaya çıkar. Bu bulutlar, çoğu soğutucu gazda renksiz ve kokusuzdur. Geleneksel bir kaçak detektörü ile kaçak kontrolü yapılırken muhtemelen bir soğutucu gaz bulutunun içinden geçildiğinde alarm çalacaktır. Bu kaçağı bulmanıza yardımcı olmaz çünkü bulut, kaçağın kaynağının yakınında olmayabilir.

D-TEK Stratus, havadaki soğutucu gaz konsantrasyonunu milyonda bir (ppm) seviyesinde görüntüleyecek patent bekleyen bir teknoloji kullanmaktadır. Bu, ekranı okuyup rakamı takip ederek daha yüksek konsantrasyona sahip alanları bulmanıza ve doğrudan kaçağın kaynağına ulaşmanıza olanak tanır.

6 Akünün Şarj Edilmesi

D-TEK Stratus'ta kısmi olarak şarj edilmiş halde gelen şarj edilebilir lityum iyon akü kullanılmaktadır. INFICON, cihazı kullanmadan önce akünün şarj edilmesini önerir. Tamamen boşalmış bir akü, cihazla birlikte verilen şarj cihazını veya şarj yuvası aksesuarını kullanarak yaklaşık 2 saat içinde %80 ve yaklaşık 3 saat içinde %100 oranında şarj edilebilir. Tam dolu bir şarj, kullanılan moda ve çalışma sıcaklığına bağlı olarak 8 ila 10 saat çalışma sağlar. Ekrandaki bir gösterge ile kalan akü yüzdesi gösterilir.



D-TEK Stratus şarj olurken de kullanılabilir.

7 Cihazın Açılması ve Kullanıma Hazırlık



Ekran açılmazsa akü seviyesi düşüktür ve şarj edilmesi gerekmektedir. D-TEK Stratus şarj olurken de kullanılabilir.

1. D-TEK Stratus'u Açmak veya Kapatmak için güç düğmesine (cihazın gövdesinin sol tarafında yer almaktadır) uzun süre basın.
 - ⇒ D-TEK Stratus 45 ila 90 saniye arasında değişken süreli bir ısınma sürecini başlatır. Isınma süreci tamamlandığında D-TEK Stratus kullanıma hazırdır.
2. Mod değiştirmek için MOD düğmesine basın. Bu işlem, Cloud Hunting, Nokta Atışı ve Manual Zero modları arasında geçiş yapılmasını sağlar.



D-TEK Stratus her zaman en son kullanıldığı modda çalışmaya başlar.



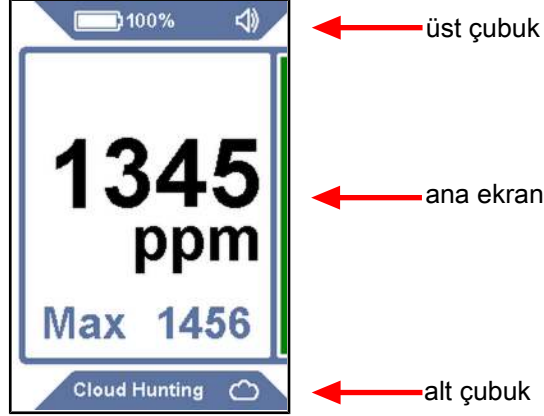
WARNING

Egzoz portlarının üstünü kapatmayın.

Egzoz portlarının üstünün kapatılması yanlış alarmlara veya ölçümlere neden olabilir.

8 Ekran Yerleşimi ve Semboller

D-TEK Stratus'ta tüm göstergeler ve bilgiler için bir görüntüleme ekranı kullanılmaktadır. Ekran bir üst çubuk, ana ekran ve bir alt çubuktan oluşmaktadır.










Üst çubuk: Üst çubuk akü sembolünü, yüzde sembolünü, sensör göstergesini (standart dışı bir sensör tipi kullanıldığında) ve ses göstergesini içermektedir.

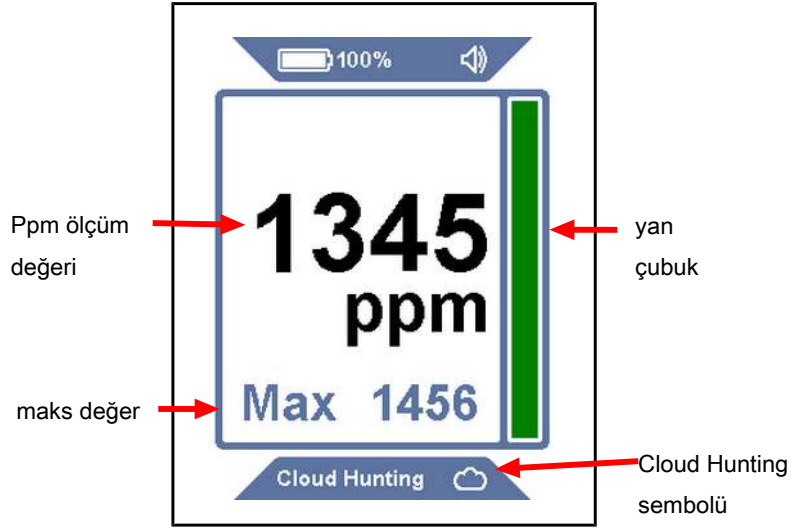
Sembol	Açıklama
	akü şarj seviyesi %75–100
	akü şarj seviyesi %50–74
	akü şarj seviyesi %30–49
	akü şarj seviyesi %10–29
	akü şarj seviyesi <10%
	akü şarj oluyor
	ses seviyesi %100'e ayarlandı (varsayılan)
	ses seviyesi %50'ye ayarlandı
	ses kapatıldı
CO2	CO ₂ sensörü takılı

Ana ekran: Ana ekran kaçak kontrolü için gerekli olan bilgileri gösterir. Ana ekran Cloud Hunting modu için ppm ölçümünü ve Nokta Atışı ve Manual Zero modları için kaçak göstergelerini içermektedir.

Alt çubuk: Alt çubuk mevcut modu ve mod göstergesi sembolünü görüntülemektedir. Ayrıca Nokta Atışı modu için hassaslığı göstermektedir.

Sembol	Açıklama
	Cloud Hunting modunu gösterir
	Nokta Atışı modunu gösterir
	Manual Zero modunu gösterir
	hassaslık = Süper (Super) (yalnızca Nokta Atışı modunda gösterilir)
	hassaslık = Yüksek (High) (yalnızca Nokta Atışı modunda gösterilir)
	hassaslık = Orta (Medium) (yalnızca Nokta Atışı modunda gösterilir)
	hassaslık = Düşük (Low) (yalnızca Nokta Atışı modunda gösterilir)

9 Cloud Hunting (Portatif Monitör) Modunun Kullanılması



Cloud Hunting modu, ekrandaki büyük bir ppm ölçüm değeri ve alt taraftaki Cloud Hunting (Cloud Hunting) kelimeleri ve yanındaki bulut sembolüyle tanımlanır. Yan çubuk ppm ölçümündeki değişikliklerle yükselir ve alçalır.



Bulur Avlama modunda hassaslık ayarı yoktur.

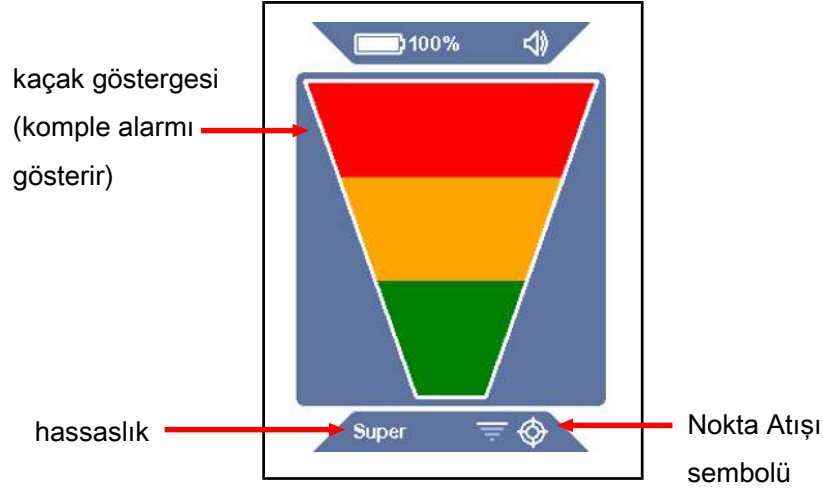
1. Şüphelenilen bölgelerde yavaşça hareket edin ve ppm ölçüm değerini gözlemleyin.
2. Daha yüksek soğutucu gaz konsantrasyonuna sahip alanları bulmak için ppm ölçüm değerini izleyin. Değer ne kadar yüksekse konsantrasyon da o kadar yüksek demektir.
3. MAKS özelliğini etkinleştirmek ve devre dışı bırakmak için SENS/SIFIRLAMA düğmesine basın. Etkinleştirildiğinde, ana ppm ekranının altında gözlemlenen en yüksek ppm seviyesi gösterilir. MAKS ölçüm değerini sıfırlamak için SENS/SIFIRLAMA düğmesine basın veya özelliği kapatıp tekrar açın.



D-TEK Stratus'ta, Cloud Hunting modunda probun ucundan alınan numuneyi kaçak detektörünün gövdesinin içindeki hava (referans numune) ile sürekli olarak karşılaştıran, patentli beklenmekte olan bir anahtarlama vanası kullanılmaktadır. Bu

teknoloji D-TEK Stratus'un karbon filtresi kullanmaya gerek kalmadan çalışmasına olanak tanır. Yüksek soğutucu gaz konsantrasyonuna sahip bir bölgede birkaç dakika beklemek, referans numunenin soğutucu gaz ile kirlenmesine neden olabilir ve bu durum ppm ölçüm değerinin sıfıra doğru geri gitmesine neden olacaktır. Bu meydana gelirse, referans numunenin tekrar temiz hale gelebilmesi için (Cloud Hunting modundayken) bir kaç dakikalığına temiz hava içeren bir alana geçin.

10 Nokta Atışı Modunun Kullanılması



Nokta Atışı modu, ekrandaki büyük bir kaçak göstergesi ve alt çubuktaki Nokta Atışı sembolüyle tanımlanır. Alt çubukta mevcut hassaslık da gösterilir. Bu mod, gösterge çubuklarının bir kaçak algılandığını gösterecek şekilde yandığı otomatik sıfırlamalı standart bir kaçak detektörü gibi çalışır.

1. D-TEK Stratus'un ucunu şüphelenilen kaçağa olabildiğince yakın tutun (hava akışını engellemeyin).
2. Probu olası her bir kaçak noktasında yavaşça geçirin.
⇒ Bir kaçak algılanırsa, D-TEK Stratus alarm verir ve ekran göstergeleri yanar.
3. Bir kaçak algılandığında, kaçağı doğrulamak için robu birkaç saniyeliğine kaçaktan uzaklaştırın ve ilgili noktayı tekrar kontrol edin.

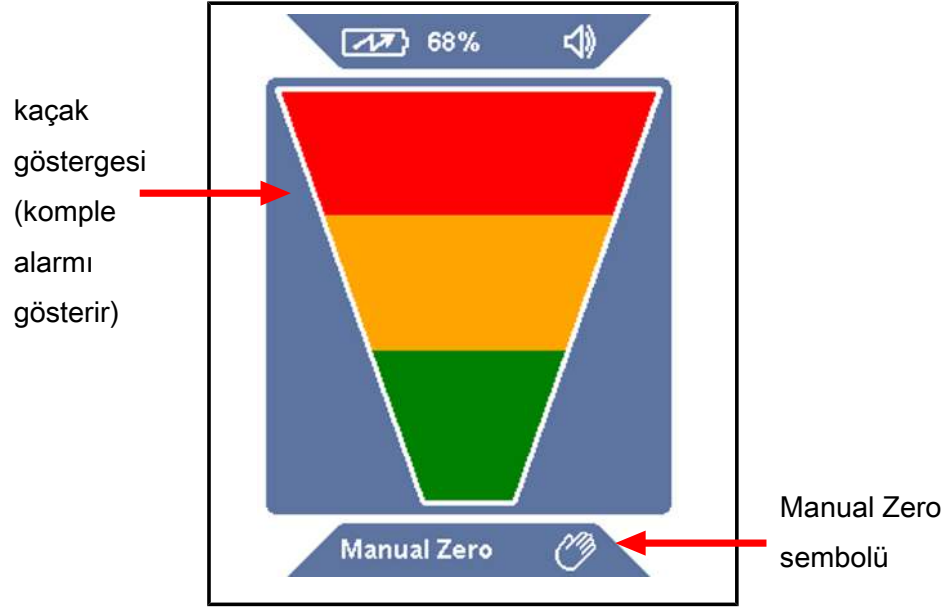


Nokta Atışı modunda D-TEK Stratus otomatik olarak arka plandaki soğutucu gaz miktarına sıfırlanır ve yalnızca daha yüksek bir soğutucu gaz konsantrasyonu ile karşılaşıldığında alarm verir. Bu meydana geldiğinde ya daha yüksek bir soğutucu gaz konsantrasyonu aramaya devam edin ya da robu sıfırlamak için birkaç saniyeliğine daha düşük konsantrasyonlu bir alana getirin.



Hassaslık ayarını değiştirmek için SENS/SIFIRLAMA düğmesine basın. Büyük bir kaçakla çalışırken daha düşük bir hassaslık ayarıyla kaçağın konumunu bulmak daha kolay olabilir. Mevcut hassaslık alt çubukta gösterilir.

11 Manual Zero Modu



Manual Zero modu, Nokta Atışı moduna benzer bir şekilde çalışır ancak alt çubuktaki Manual Zero metni ve Manual Zero sembolüyle tanımlanır. Manual Zero modu, kullanıcının SENS/SIFIRLAMA düğmesine basarak arka plandaki soğutucu gazı manuel olarak sıfırlamasına olanak tanır. Yeni sıfırlama noktası ayarlandığında D-TEK Stratus daha yüksek bir soğutucu gaz konsantrasyonu algılanmadıkça alarm vermeyecektir.

Manual Zero modu sıfır noktasında diğer modlardakinden daha hızlı bipler. Konsantrasyon mevcut sıfır noktasından daha düşükse biplere yavaşlar. Bu, kullanıcının biplere hızındaki değişimi dinleyerek kaçaktan uzaklaşıp uzaklaşmadığını anlamasına olanak tanır.



Manual Zero modunda hassaslık ayarı yoktur.



Manual Zero modu, ideal performans için 15 dakikaya kadar ilave bir ısınma süresi gerektirir.

12 Kulaklıklar ve Ses Seviyesi Kontrolü

Kulaklıkla alarm seslerini dinleyebilmeniz için D-TEK Stratussağında bir kulaklık jakı mevcuttur



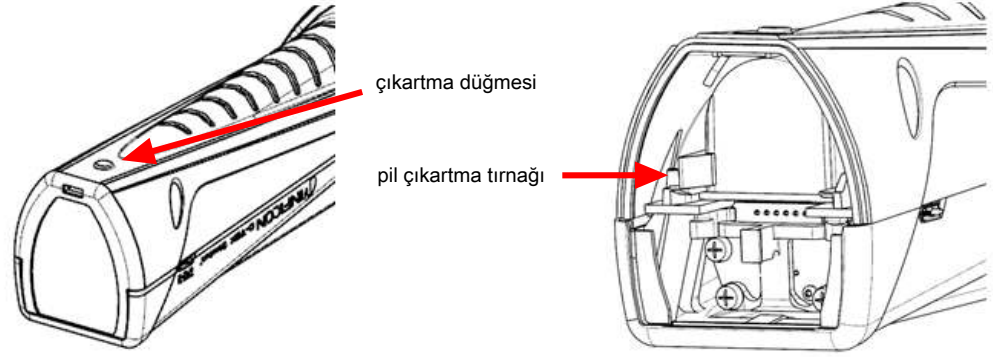
⚠ WARNING

INFICON tarafından tedarik edilmeyen kulaklıklar kullanıyorsanız işitme duyunuza zarar vermemek için kulaklıkları dikkatli bir şekilde test edin.

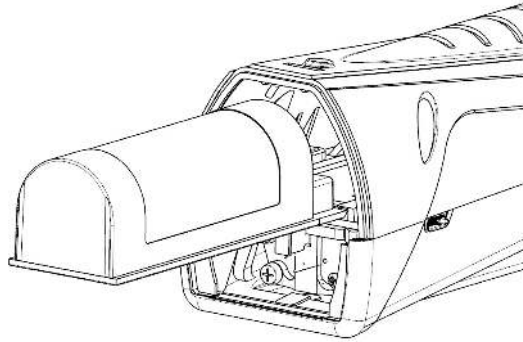
Kulaklık jakının yanında bir ses seviyesi düğmesi bulunmaktadır. Ses seviyesini %100, %50 ve sessiz arasında değiştirmek için ses seviyesi düğmesine basın. Cihaz çalıştırıldığında ses seviyesi varsayılan olarak %100'e ayarlanır. Kulaklık takılıyken ses seviyesi %100 ile sessiz arasında değişir.

13 Lityum İyon Akünün Çıkarılması ve Takılması

1. D-TEK Stratus'un arkasındaki çıkartma düğmesine basın ve akü kapağını çıkarın.



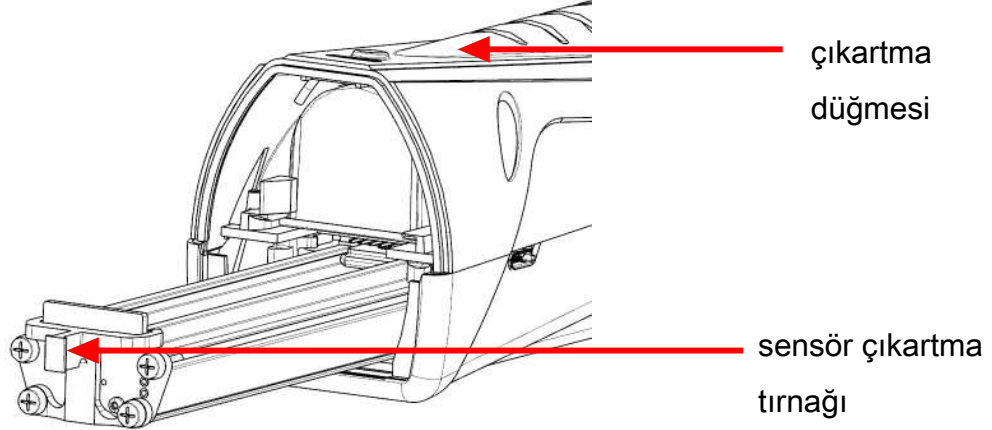
2. Akü çıkarma tırnağını akü yerinden çıkmaya başlayana kadar yana kaydırarak aküyü çıkarın. Aküyü kaydırarak çıkarın.
3. Aküyü raylarla hizalayın.



4. Aküyü, akü çıkarma tırnağı yerine oturana kadar ray boyunca dikkatli bir şekilde itin.
⇒ Aküyü zorlamayın. Akü serbest bir şekilde kaymazsa hizalamayı kontrol edip tekrar deneyin.
5. Akü kapağını geri takın.

14 Sensörün Çıkarılması ve Takılması

D-TEK Stratus'ta sahada çıkarılması ve takılması hızlı ve kolay olan kartuş tipi bir sensör kullanılır. INFICON, standart sensöre ek olarak soğuma ve iklimlendirme uygulamalarında kullanım için 2'ye özel bir sensör sunmaktadır. Yedek Parçalar ve Aksesuarlar [► 338].

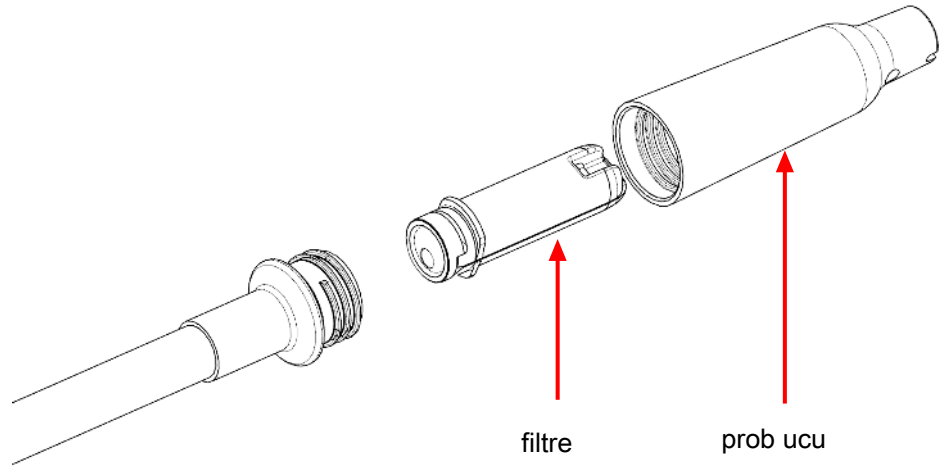


Sensörü değiştirmek için:

1. D-TEK Stratus'un arkasındaki çıkartma düğmesine basın ve akü kapağını çıkarın.
2. Sensör çıkartma tırnağını tutun ve dikkatli bir şekilde çekerek çıkarın.
3. Yeni sensörü raylarla hizalayın.
4. Sensörü tam olarak oturana kadar dikkatli bir şekilde ray boyunca itin.
⇒ Sensörü zorlamayın. Serbest bir şekilde kaymazsa hizalamayı kontrol edip tekrar deneyin.
5. Akü kapağını geri takın.

15 Filtrelerin Deęiřtirilmesi

D-TEK Stratus'ta su, kir ve yaęı filtreleyip hava ve soęutucu gazın geçiřine izin veren hidrofobik bir filtre kartuřu kullanılmaktadır. Filtrenin deęiřtirilmesi gerekip gerekmedięini belirlemek iin beyaz bezi inceleyin. Bezin rengi deęiřmiř grnyorsa yeni bir filtre takın. Kaak detektrnzn soęutucu gazları gerektięi gibi algılamadıęından řpheleniyorsanız filtrenin deęiřtirilmesi basit bir arıza giderme czmdr. Tıkalı bir hava filtresi numune hava akıřını sınırlandırabilir.



Filtrenin su veya yaęa maruz bırakılması hafa akıřını engelleyebilir. Bu meydana gelirse proba kirletici maddeler bulařmasını nlemek iin filtreyi prob ařaęı bakacak řekilde ıkartın ve yeni bir filtre takın. Filtre ıslanırsa kuruduęunda tekrar kullanılabilir.



CAUTION

Cihazı asla uygun bir prob ucu ve filtre olmadan kullanmayın.

Filtreyi deęiřtirmek iin:

1. Prob ucunu evirerek ıkarın ve filtreyi ıkarın.
2. Yeni filtreyi probun iine takın.
3. Prob ucunu evirerek takın. Ařırı sıkmayın.

16 Ekstra Uzun Prob

D-TEK Stratus ulařılması zor alanlarda kaak kontrolü iin ekstra uzun bir yedek prob iermektedir.

Ekstra uzun probu takmak iin:

1. Standart probu 10 mm anahtarla D-TEK Stratus'un gvdesinden ıkarın.
2. Ekstra uzun probu yaklaşık 35 in·lb (4 N·m) ile sıkın. Ařırı sıkmayın.
3. Prob ucunu evirerek standart probdan ıkarın filtreyi ıkarın (veya yeni bir tane kullanın).
4. Filtreyi ekstra uzun probun iine takın.
5. Prob ucunu ekstra uzun probun üzerine evirerek takın. Ařırı sıkmayın.

17 İğne Tipi Prob Uzatması

Opsiyonel iğne tipi prob uzatması aksesuarı dar alanlarda ve izolasyon içerisinde kaçak kontrolüne olanak tanımaktadır. Bu prob, izolasyonu kolayca delecek ve dar alanlara sığacak sivri bir uca sahiptir.

İğne tipi prob uzatmasını takmak için:

1. Prob ucunu çevirerek çıkarın. Filtreyi yerinde bırakın.
2. Yeni filtreyi prob ucunun içine takın.
3. Prob ucunu çevirerek takın. Aşırı sıkmayın.

18 Karbondioksit Sensörleri

CO₂ (PN 724-701-G2) veya yanıcı soğutucu (PN 724-701-G3) uygulamalarında karbondioksit sensörleri kullanılabilir. CO₂ sensörünü kullanmak için veya yanıcı soğutucu sensörü kullanmak için, Sensörün Çıkarılması ve Takılması [► 332] bölümünde açıklandığı gibi standart sensörü çıkarın ve yeni sensörü takın. D-TEK Stratus sensörü otomatik olarak tanır ve **MODE** göstergesi, sensör takılı olduğu sürece yeşil yanar. Yeşil CO₂ sensörünün, kırmızı yanıcı soğutucu sensörünün, turuncu ise standart soğutucu sensörün takılı olduğunu gösterir.



Eğer D-TEK Stratus yanıcı soğutucu sensörünüzü otomatik olarak algılamıyorsa lütfen bir yazılım testi gerçekleştirmek için INFICON ile iletişime geçin.



Yanıcı soğutucu sensörü hidrojen oluşturan gaz da dahil olmak üzere hidrojeni algılamaz.



CO₂ kaçıklarını ararken proba doğru CO₂ solumamak için bir solunum maskesi takılması önerilir.



⚠ WARNING

Yüksek CO₂ veya soğutucu konsantrasyonlarına maruz kalınması tehlikelidir ve hayati tehdit oluşturabilir.

Cihaz zehirleyici veya tehlikeli ortamlarda kullanılmamalıdır. Bu bir kişisel korunma veya yaşam kurtarma cihazı değildir. Potansiyel olarak zehirleyici veya tehlikeli ortamlarda son derece dikkatli olun.



⚠ WARNING

Bu ürün kendinden emniyetli değildir ve patlayıcı dumanların, patlayıcı tozların veya diğer patlayıcı kimyasalların bulunduğu ortamlarda kullanılmamalıdır. LEL'ye (alt patlama sınırı) yaklaşan yanıcı soğutucu konsantrasyonlarının bulunduğu kullanılması halinde ciddi yaralanmalara, ölüme veya maddi hasara neden olacak bir patlama meydana gelebilir.

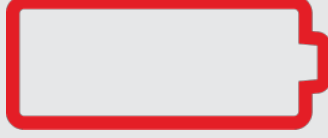
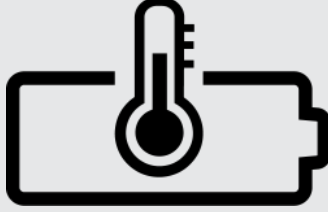
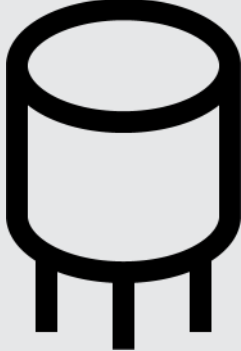
19 Temizlik ve Saklama

D-TEK Stratus yumuřak deterjan veya izopropil alkol ile temizlenebilir. Cihazın iine temizlik maddesi girmesini nlemek iin dikkatli olunmalıdır. Plastik paralara veya ekrana hasar verebileceėi iin benzin, aseton veya diėer agresif zclerle temizlemeyin.

20 Yedek Parçalar ve Aksesuarlar

yedek taşıma çantası	724-700-G1
kulaklıklar	721-607-G1
12 V (dc) araç şarj cihazı	721-605-G1
AC duvar tipi şarj cihazı (çeşitli bölgeler için fişler dahil)	721-606-G1
lityum iyon akü	721-702-G1
akü şarj yuvası	721-610-G1
akü/şarj yuvası kombinasyonu	721-604-G1
standart sensör (CFC'ler, HCFC'ler, HFC'ler, HFO'lar ve bunların karışımlarını (A2L'ler dahil) algılar)	724-701-G1
CO ₂ sensörü	724-701-G2
Yanıcı soğutucu (HC) sensörü	724-701-G3
Filtre kartuşları (miktar, 5)	712-707-G1
yedek prob kapağı	712-705-G1
iğne tipi prob uzatması	721-612-G1
ekstra uzun prob	721-611-G1
TEK-Check R134a kaçak testi	703-080-G10

21 Arıza Giderme Kılavuzu

Sorun	Neden	Çözüm
<p>Aşağıdaki sembol görüntülenir:</p> 	<p>Bir akü hatası meydana gelmiştir. Bu akü arızasından, akünün yanlış takılmış olmasından veya bağlantının kötü olmasından kaynaklanabilir.</p>	<p>Aküyü çıkarıp tekrar takın. Sorun düzelmezse aküyü değiştirin. Lityum İyon Akünün Çıkarılması ve Takılması [▶ 331] bölümüne bakın.</p>
<p>Aşağıdaki sembol görüntülenir:</p> 	<p>Akü ideal sıcaklık aralığının üzerinde veya altındadır ve doğru şarj olmayabilir.</p>	<p>Akünün normal sıcaklığa dönmesini bekleyin.</p>
<p>Aşağıdaki sembol görüntülenir:</p> 	<p>Bir sensör hatası meydana gelmiştir. Bu sensör arızasından, sensörün yanlış takılmış olmasından veya bağlantının kötü olmasından kaynaklanabilir.</p>	<p>Sensörü çıkarıp tekrar takın. Sorun düzelmezse sensörü değiştirin. Sensörün Çıkarılması ve Takılması [▶ 332] bölümüne bakın.</p>
<p>Güç düğmesine uzunca basıldıktan sonra ekran açılmıyor.</p>	<p>Akü seviyesi kritik seviyede düşük.</p>	<p>Aküyü şarj edin veya cihazı bir şarj cihazına bağlayın.</p>
<p>Cihaz açılıyor ama soğutucu gaz algılamıyor.</p>	<p>Cihaz ısınma işlemini tamamlamamıştır (kahve fincanı sembolü görüntülenir).</p>	<p>Isınma işleminin tamamlanmasını bekleyin. Bu 45 ila 90 saniye sürer.</p>
	<p>Filtre tıkanmış olduğu için hava akışını sınırlandırıyor.</p>	<p>Filtre kartuşunu değiştirin. Filtrelerin Değiştirilmesi [▶ 333] bölümüne bakın.</p>

Sorun	Neden	Çözüm
	Pompa arızalanmıştır.	Pompa sesini dinleyin. Pompadan ses gelmiyorsa akü uygun şekilde şarj olmuşsa INFICON ile iletişim kurun.
	Hassaslık çok düşüğe ayarlanmıştır (yalnızca Nokta Atışı modu).	Hassaslık seviyesini doğrulayın. Çok küçük kaçaklar için Yüksek veya Süper kullanılmalıdır.
	Yanlış sensör takılmıştır.	Doğru sensörün kullanıldığını doğrulayın (soğutucu gaz sensörü veya CO ₂ sensörü).
	Referans numune kirlenmiştir (Bulut Avlama modu).	D-TEK Stratus'u temiz havada beş dakika kadar Bulut Avlama modunda çalıştırın.
Cihaz temiz havada alarm veriyor.	Egzoz portunun önü kapanmıştır.	Egzoz portunun önünün kapalı olmadığını doğrulayın.
	Yanlış sensör takılmıştır.	CO ₂ sensörünün yerine soğutucu gaz sensörünün takılı olduğunu doğrulayın.
Kirli olduğu bilinen bir bölgede ppm sıfıra düşüyor.	Referans numune kirlenmiş olabilir.	D-TEK Stratus'u temiz havada beş dakika kadar Bulut Avlama modunda çalıştırın.
Pompadan ses gelmiyor.	Pompa arızalanmıştır.	Akünün şarj seviyesi düşükse INFICON ile iletişim kurun.

22 Garanti ve Sorumluluk Sınırlandırması

INFICON, size D-TEK Stratus Soğutucu Gaz Kaçak Detektörü ve Portatif Monitörün satın alma tarihinden itibaren (bölgeye bağlı olarak) bir veya iki yıl malzeme veya işçilik kusuru içermeyeceğinin garantisini vermektedir. INFICON, aküler, sensörler ve filtreler de dahil olmak üzere normal kullanım koşullarında bozulmayan parçalar için garanti vermez. Buna ek olarak INFICON, yanlış kullanım, ihmâl veya kazaya maruz kalmış, INFICON dışında herhangi biri tarafından onarılmış veya tadil edilmiş herhangi bir cihaz için garanti vermez. INFICON'un sorumluluğu, garanti süresi sona erdikten en geç otuz (30) gün sonra nakliyesi önceden ödenmiş olarak INFICON'a iade edilmiş olan ve INFICON'un arızalı malzeme veya işçilik nedeniyle arızalandığına karar vermiş olduğu cihazlarla sınırlıdır. INFICON'un sorumluluğu, kendi takdirinde olmak üzere arızalı cihazı veya parçayı onarmak veya değiştirmekle sınırlıdır. Bu garanti, PAZARLANABİLİRLİK, BELİRLİ BİR AMACA UYGUNLUK veya başka türden tüm açık veya ima yollu garantilerin yerine geçer. Bu türden diğer tüm garantilerden feragat edilir. INFICON'un, cihaz için INFICON'a ödenmiş bedel ve önceden ödenmiş iade ücreti dışında herhangi bir yükümlülüğü yoktur. INFICON'un tesadüfi veya dolaylı olarak meydana gelen hasarlara karşı herhangi bir yükümlülüğü yoktur. Bu tarz tüm yükümlülükler HARIÇ TUTULMAKTADIR.

23 Cihazın Garanti ve Onarım İin İade Edilmesi

Garanti deęerlendirmesi veya garanti kapsamı dıřında onarım iin toptan satıcınızla iletiřim kurun. Cihazı doęrudan INFICON'a iade etmeyin. Onarım veya para iadesi iin INFICON'a iade edilen tm cihazlar ve paralar uygun řekilde paketlenmiř, sigortalanmıř, nakliye cretleri denmiř halde gnderilmiř ve iade edilmeden nce malzeme iin bir İade Malzeme Onayı (RMA) numarası dzenlenmiř olmalıdır. RMA numarası tm nakliye etiketleri ambalaj fiřlerine yazılmıř olmalıdır. Yardım iin ltfen INFICON distribtrnzle iletiřim kurun. Sorularınız iin 800-344-3304 numaralı telefondan INFICON ile veya yerel INFICON satıř ofisinizle iletiřim kurun.

Inhoudsopgave

1	Verklaring van conformiteit	344
2	Waarschuwingen	345
3	Specificaties	347
4	D-TEK Stratus	350
5	Wat is Cloud Hunting?	352
6	De batterij opladen	353
7	Het instrument aanzetten en voorbereiden voor gebruik.....	354
8	Schermindeling en symbolen	355
9	Gebruik van Cloud Hunting-modus (Portable Monitor).....	357
10	Gebruik van de Pinpoint-modus	359
11	Manual Zero-modus	361
12	Oordopjes en volumeregeling.....	362
13	De lithium-ionbatterij verwijderen en installeren	363
14	De sensor verwijderen en installeren	364
15	Vervanging van de filters	365
16	Extra lange sonde.....	366
17	Verlenging van de naaldsonde	367
18	Optionele sensors.....	368
19	Schoonmaak en opslag	369
20	Vervangende onderdelen en accessoires	370
21	Probleemoplossing	371
22	Garantie en aansprakelijkheidsbeperking	373
23	Het instrument voor garantie of reparatie terugsturen.....	374

1 Verklaring van conformiteit



**EU-VERKLARING
VAN
CONFORMITEIT**

Deze verklaring wordt afgegeven onder de uitsluitende verantwoordelijkheid van de fabrikant INFICON. Het doel van de verklaring is te certificeren dat deze apparatuur, ontworpen en vervaardigd door:

**INFICON Inc.
Two Technology Place
East Syracuse, NY 13057
Verenigde Staten**

in overeenstemming is met de desbetreffende communautaire harmonisatiewetgeving. Het is vervaardigd volgens de in de Gemeenschap geldende goede technische werkwijze op het gebied van veiligheid en brengt de veiligheid van personen, huisdieren of goederen niet in gevaar wanneer het op de juiste wijze wordt geïnstalleerd en onderhouden en gebruikt voor de toepassingen waarvoor het is gemaakt.

Beschrijving van het apparaat:	D-TEK Stratus Koelmiddellekkagedetector en draagbare monitor	
Modelnummer:	724-20x-Gxx	(van toepassing op alle groepsnummers)
Toepasselijke richtlijnen:	2014/35/EU 2014/30/EU 2011/65/EU 2006/66/EC	LVD General EMC zoals gewijzigd door 2015/863/EU RoHS zoals gewijzigd door Richtlijn 2013/56/EU inzake batterijen en accu's
Toepasselijke normen:		
Veiligheid:	EN 61010-1:2010 EN 62133:2013 UL 2054 UL 60950-1 & CAN/CSA-C22.2 No. 60950-1-07 UN 38.3	Veiligheidseisen voor elektrische apparatuur voor meting, controle en laboratoriumgebruik. Algemene vereisten Veiligheidseisen voor draagbare verzegelde secundaire cellen en voor batterijen die daarvan zijn gemaakt, voor gebruik in draagbare toepassingen. CB Test Cert DK-73443-UL UL norm voor veiligheid huishoudelijke en commerciële batterijen Cert 20180518-MH29443 UL-norm voor veiligheid informatietechnologie-apparatuur - Veiligheid - Deel 1: Algemene vereisten Cert 20180518-MH294 UN VN-handboek inzake beproevingen en criteria., deel III, subsectie 38.3. Veilig transport van de oplaadbare li-ionbatterijen
Emissies:	EN 61326-1:2013 CISPR 11/EN 55011:2009	Editie 2.0 (Uitgestraalde, geleide en harmonische emissies) (EMC-meet-, regel- en laboratoriumapparatuur) (+A1:2010 Emissienorm voor industriële, wetenschappelijke en medische (ISM) radio-RF-apparatuur, klasse A
Immunititeit:	EN 61326-1:2013	Editie 2.0 (EMC - Meet-, regel- en laboratoriumapparatuur) - Immunititeit per tabel A.1 - Draagbare test- en meetapparatuur
RoHS	conform	
CE-implementatiedatum:	7 mei 2019	

Geautoriseerde vertegenwoordiger:

Brian King
INFICON
Algemeen Directeur - Service tools
Two Technology Place
East Syracuse, NY USA 13057

Bevoegde EU-vertegenwoordiger

INFICON GmbH
50968 Köln, Bonner Str. 498

ALLE VRAGEN MET BETREKKING TOT DEZE VERKLARING OF TOT DE VEILIGHEID VAN INFICON-PRODUCTEN MOETEN SCHRIJFTELIJK WORDEN GERICHT AAN DE GEMACHTIGDE VERTEGENWOORDIGER OP HET BOVENSTAANDE ADRES.

2 Waarschuwingen

Waarschuwingen:

- Gebruik alleen een gecertificeerde lader met een uitgang van 5 V (dc) $\pm 5\%$, 1 A $\pm 5\%$.
- Houd het apparaat uit de buurt van extreem hoge of lage temperaturen.
- Stel de batterij niet bloot aan vloeistof.
- Gebruik het apparaat niet als u schade aan de batterij opmerkt.
- Ontmantel of modificeer de batterij niet.
- Behandel en verwijder de batterij volgens de plaatselijke voorschriften.
- Als het opladen niet wordt voltooid, zelfs als de opgegeven oplaadtijd is verstreken, stop dan onmiddellijk met verder opladen.
- Laat de batterij niet onbeheerd achter tijdens het opladen.
- Haal de lader uit het stopcontact wanneer de batterij volledig is opgeladen.
- Onjuist gebruik of onjuiste verwijdering van lithium-ionbatterijen kan brand veroorzaken.
- Dit instrument is niet bedoeld voor gebruik in ontvlambare omgevingen.
- Hoge RF-omgevingen kunnen een vals alarm veroorzaken.



WAARSCHUWING

Dit symbool wordt gebruikt om de gebruiker te attenderen op de aanwezigheid van belangrijke bedienings- en onderhoudsinstructies in de documentatie bij dit instrument.



WAARSCHUWING

Blootstelling aan hoge concentraties van CO₂ of koelmiddelen is gevaarlijk en kan levensbedreigend zijn.

Het instrument is niet bedoeld voor gebruik in giftige en gevaarlijke omgevingen. Het is niet bedoeld voor persoonlijke bescherming en is ook geen levensreddend apparaat. Wees altijd bijzonder voorzichtig in potentiële giftige of gevaarlijke omgevingen.

**⚠ WAARSCHUWING**

Dit product is niet intrinsiek veilig en mag niet worden gebruikt in de aanwezigheid van explosieve dampen, explosief stof of andere explosieve chemicaliën. Gebruik in een omgeving met een concentratie van ontvlambaar koelmiddel dat de LEL-limiet benadert kan een explosie of brand veroorzaken en zo leiden tot ernstig letsel, de dood of materiële schade.

3 Specificaties

Gebruik	binnen/buiten
Sensortype	infrarood
Compatibele koelmiddelen	Alle CFK's, HCFK's, HFK's, HFO's, mengsels (inclusief A2L's) en CO ₂ ¹
Minimale gevoeligheid (Pinpoint -modus, Supergevoeligheid)	1 g/yr (0,03 oz/yr) ²
Displayresolutie (Cloud Hunting -modus)	1 ppm
Weergavebereik (Cloud Hunting -modus)	0 tot 9999 ppm
Nauwkeurigheid (Cloud Hunting -modus, met schone lucht referentie, R134a)	±1 ppm ±10% van meting
Type batterij	lithium-ion
Laadgangstype	micro USB
Oplaaftijd (vanaf 0%)	ongeveer 3 uur
Levensduur van de batterij	ongeveer 8 uur (Cloud Hunting) ongeveer 10 uur (Pinpoint)
Ingangsspanning	5 V (dc) ±5%
Ingangsstroom	1 A ±5%
Opwarmtijd	45–90 seconden
Temperatuurbereik en vochtigheidsgraad	
• Opslag	-20–60°C (-4–140°F)
• In bedrijf ³	-20–50°C (-4–122°F)
• Opladen	0–45°C (32–113°F)
• Vochtigheid	95% RH NC maximum
Hoogte	2000 m (6500 ft.)
Verontreinigingsgraad	2
Overspanningscategorie	2
Gewicht (met batterij; exclusief draagtas of accessoires)	0,50 kg (1,10 lb)

¹ Voor de detectie van CO₂ is een optionele CO₂ sensor nodig.

² Om optimale prestaties en de gespecificeerde gevoeligheden te bereiken, wordt aanbevolen om D-TEK Stratus 15 minuten te laten draaien voor gebruik.

³ Het gebruik bij temperaturen onder 0°C (32°F) moet worden beperkt. Een langere opwarmtijd wordt aanbevolen voor gebruik in omgevingen met lage temperaturen.

Specificatietabel volgens EN 14624

	R134a	R1234yf
Minimale gevoeligheid, vast (statisch)	1 g/yr.	0,5 g/yr.
Maximale gevoeligheid, vast (statisch) ⁴	>50 g/yr.	>50 g/yr.
Minimale gevoeligheid, bewegend (dynamisch)	1 g/yr.	1 g/yr.
Maximale gevoeligheid, bewegend (dynamisch) ⁴	>50 g/yr.	>50 g/yr.
Minimale respons-/opsporingstijd	<1 s	<1 s
Nulpunt-tijd	1–4 s	1–4 s
Hersteltijd voor 50 g/yr blootstelling ⁵	7,6 s	6,4 s
Minimale gevoeligheid in vervuilde omgeving	>2 g/yr.	1 g/yr.
Kalibratiefrequentie	Jaarlijks controleren met gekalibreerde lekstandaard	

⁴De bovenste lekdetectiegrens wordt niet gespecificeerd door INFICON omdat er geen bovengrens is aan de grootte van het lek dat de detector kan detecteren.

⁵Aangezien er tijdens de test geen 50 g/yr. lekstandaard beschikbaar was, werd een 32 g/yr. lekstandaard gebruikt.

SAE-toepassingen

SAE-normen J2791 (R-134a) en J2913 (R-1234yf) specificeren de gevoeligheid voor de volgende lekgroottes voor de overeenkomstige instellingen hieronder. **Super** gevoeligheid is gevoeliger dan wat SAE nodig heeft voor lektests in een schone omgeving (zonder achtergrondkoelmiddel). Als lektest in een verontreinigde omgeving (hoog achtergrondkoelmiddel) wordt gedetecteerd, schakel dan over op **Super** gevoeligheid.

R-134a leksnelheid (g/yr)	R-1234yf leksnelheid (g/yr)	Gevoelighedsinstelling
14	14	laag
7	7	medium
4	4	hoog

De volgende tabel geeft een overzicht van enkele veelvoorkomende chemicaliën en geeft aan of ze al dan niet een valse melding van D-TEK Stratus zullen veroorzaken..

Voer de lektest uit met uitgeschakelde motor.

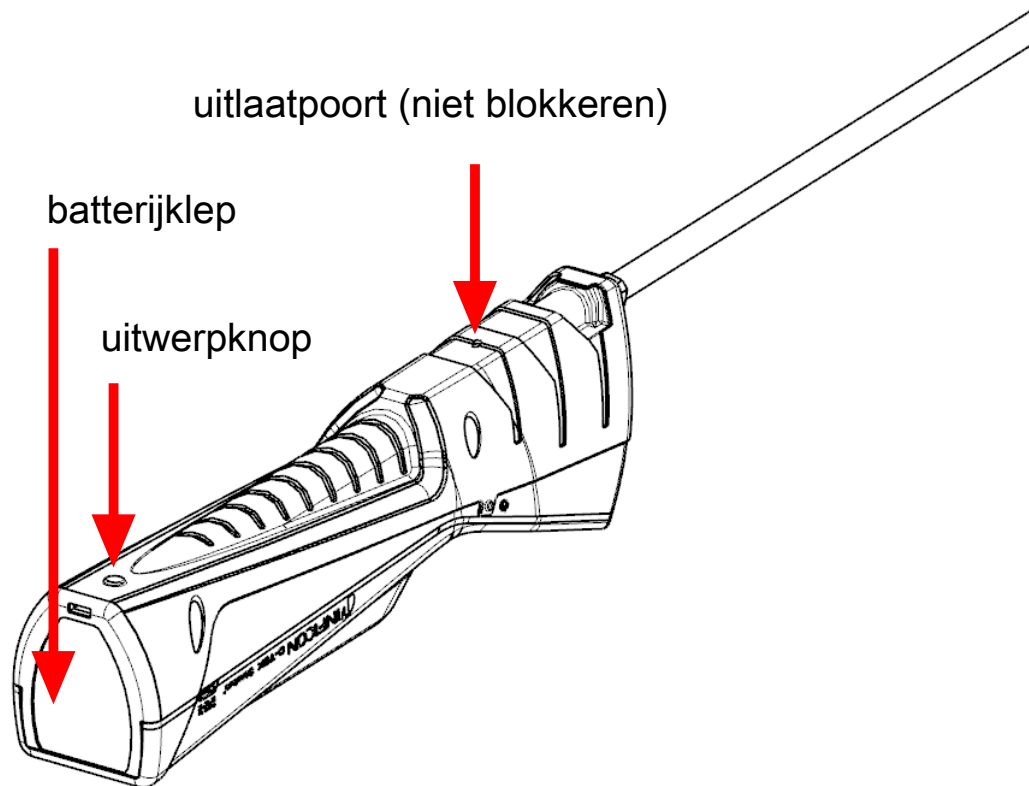
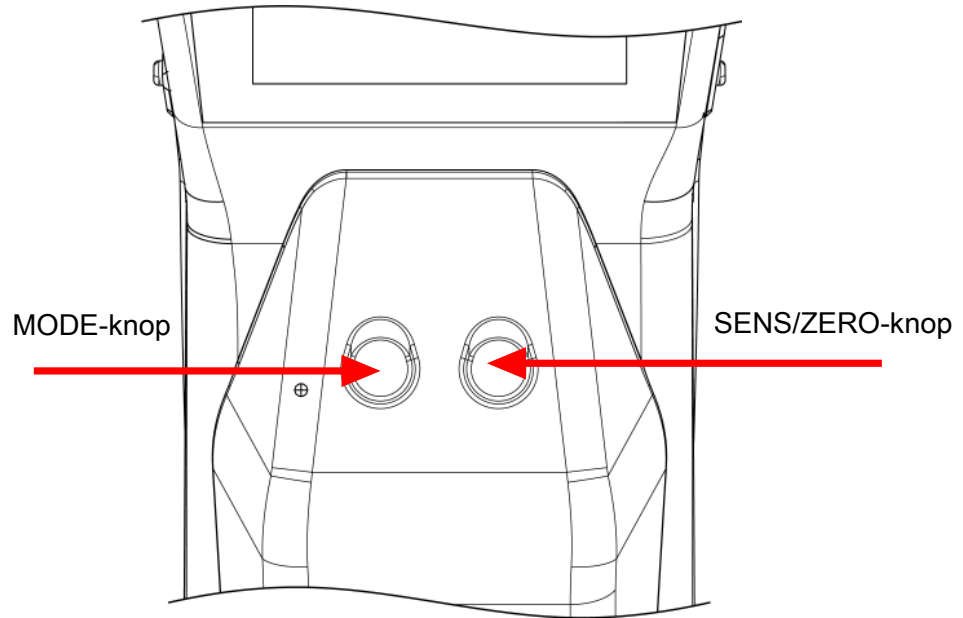
Chemische stof	Valse melding
ruitensproeiervloeistof (methanolbasis)	Ja
Ford™ vlekkenverwijderaer	Ja
Ford roest-penetrant en remmer	Ja
Ford pakking en trimlijm-kleefstof	Ja
Permatex™ natuurlijke blauwe reiniger en ontvetter	Ja

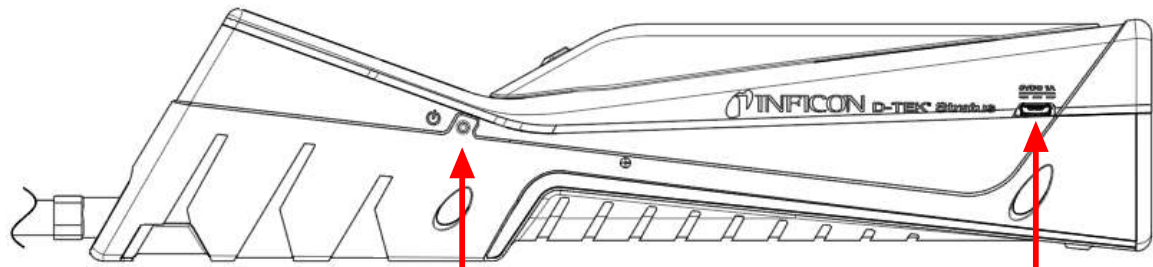
Chemische stof	Valse melding
Ford remreiniger	Ja
Ford carburateurreiniger	Ja
Ford helder siliconenrubber	Ja
Motorcraft™ G-05 antivries/koelmiddel	Nee
Gunk™ vloeibare moersleutel	Nee
Ford puimsteen/lotion handreiniger	Nee
Ford Motorcraft DOT3 remvloeistof	Nee
Ford silcon smeermiddel	Nee
Dexron™ automatische versnellingsbakvloeistof	Nee
minerale motorolie	Nee

Patents (Pending)

- Application #10 2018 206 877.1
- Application #18171080.7
- Application # 10 2018 208 826.8

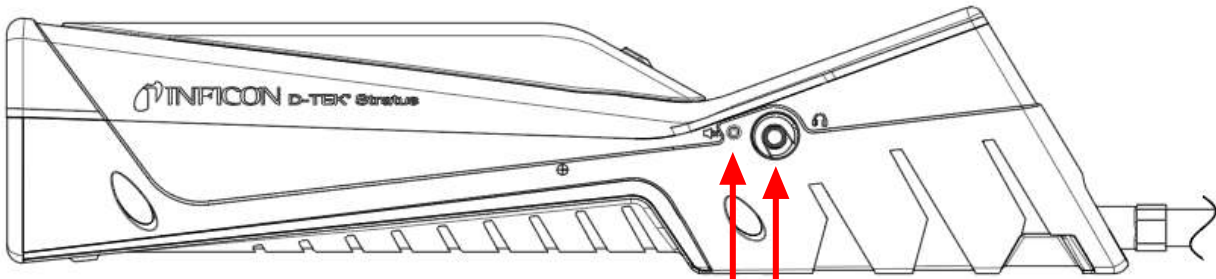
4 D-TEK Stratus





Aan/Uit-knop

micro-USB-voedingspoo



volumeknop

hoofdtelefoonaansluiting

Nederlands

Nederlands

5 Wat is Cloud Hunting?

Wanneer koelmiddel uit een systeem lekt, verspreidt het zich niet gelijkmatig in de lucht. De concentratie koelmiddel is meestal hoger in de buurt van de bron van het lek. De dichtheid van koelmiddelen is ook anders dan die van lucht, zodat het de neiging heeft om "wolken" in de lucht te vormen, meestal dicht bij de vloer. Deze wolken zijn kleur- en reukloos voor de meeste koelmiddelen. Wanneer u werkt met een traditionele lekdetector, zal het waarschijnlijk een alarm afgeven wanneer u door een wolk koelmiddel loopt. Dit helpt u niet om het lek te vinden, omdat de wolk zich mogelijk niet in de buurt van de lekbron bevindt.

D-TEK Stratus maakt gebruik van gepatenteerde technologie om de koelmiddelconcentratie in de lucht weer te geven in delen per miljoen (ppm). Dit stelt u in staat om het display af te lezen en het nummer te volgen om gebieden met een hogere concentratie te vinden, waardoor u direct naar de lekbron wordt geleid.

6 De batterij opladen

D-TEK Stratus gebruikt een oplaadbare lithium-ionbatterij die gedeeltelijk opgeladen wordt geleverd. INFICON raadt aan de batterij voor gebruik op te laden. Met behulp van de bijgeleverde lader of laadstationaccessoire kan een lege batterij tot 80% worden opgeladen in ongeveer 2 uur en tot 100% in ongeveer 3 uur. Met een volledige lading kunt u meestal 8 tot 10 uur werken, afhankelijk van de gebruikte modus en de bedrijfstemperatuur. Een indicator op het scherm geeft het resterende percentage van de batterij weer.



D-TEK Stratus kan gebruikt worden tijdens het opladen.

7 Het instrument aanzetten en voorbereiden voor gebruik



Als het scherm niet wordt ingeschakeld, is de batterij bijna leeg en moet deze worden opgeladen. D-TEK Stratus kan gebruikt worden tijdens het opladen.

1. Druk lang op de aan/uit-knop (die zich aan de linkerkant van de behuizing van het instrument bevindt) om de D-TEK Stratus Aan of Uit te zetten.
 - ⇒ D-TEK Stratus begint eerst gedurende 45 tot 90 seconden op te warmen. Wanneer de opwarming is voltooid, is D-TEK Stratus klaar voor gebruik.
2. Druk op de MODUS-knop om van modus te veranderen. Deze schakelt tussen de modi Cloud Hunting, Pinpoint en Manual Zero.



D-TEK Stratus begint altijd in de laatst gebruikte modus.



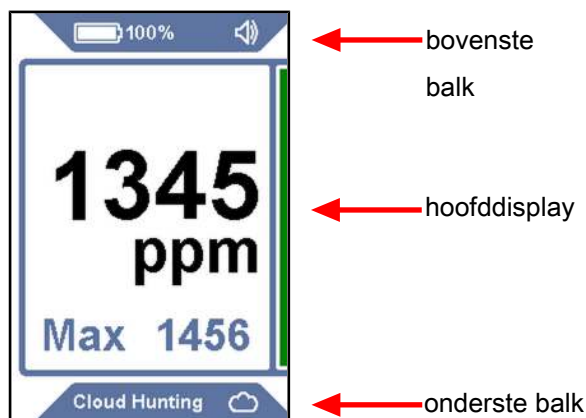
WAARSCHUWING

Blokkeer de uitlaatpoort niet.

Het blokkeren van de uitlaatlucht kan een vals alarm of verkeerde meting veroorzaken.

8 Schermindeling en symbolen

D-TEK Stratus gebruikt het displayscherm voor alle indicatoren en informatie. Het display bestaat uit een bovenbalk, een hoofddisplay en een onderbalk.








Bovenbalk: De bovenbalk bevat het batterijsymbool, het percentage, de sensorindicator (wanneer een niet-standaard sensortype wordt gebruikt) en de geluidsindicator.

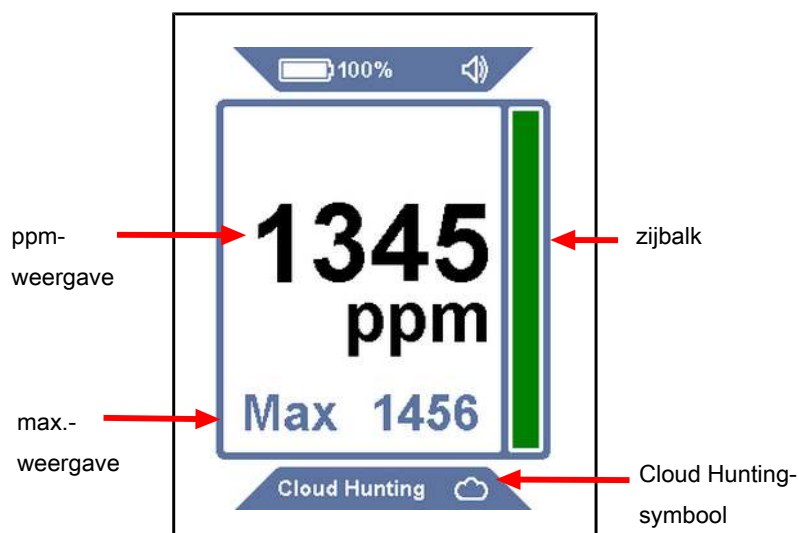
Symbool	Beschrijving
	de batterijlading is 75-100%
	de batterijlading is 50-74%
	de batterijlading is 30-49%
	de batterijlading is 10-29%
	de batterijlading is <10%
	batterij wordt opgeladen
	volume is ingesteld op 100% (standaard)
	volume is ingesteld op 50%
	volume is gedempt
CO2	CO ₂ sensor is geïnstalleerd

Hoofdpagina: Het hoofddisplay toont de informatie die nodig is voor het controleren op lekken. Het hoofddisplay bevat de ppm-meting voor de modus Cloud Hunting en lekindicatoren voor de modi Pinpoint en Manual Zero.

Onderbalk: De onderbalk toont de huidige modus en het modus-indicatorsymbool. Het bevat ook de gevoeligheid voor de Pinpoint-modus.

Symbool	Beschrijving
	indicatie Cloud Hunting-modus
	indicatie Pinpoint-modus
	indicatie Manual Zero-modus
	gevoeligheid = Super (Super) (alleen weergegeven in de Pinpoint-modus)
	gevoeligheid = Hoog (High) (alleen weergegeven in de Pinpoint-modus)
	gevoeligheid = Middel (Medium) (alleen weergegeven in de Pinpoint-modus)
	gevoeligheid = Laag (Low) (alleen weergegeven in de Pinpoint-modus)

9 Gebruik van Cloud Hunting-modus (Portable Monitor)



De modus **Cloud Hunting** wordt gekenmerkt door een grote ppm-waarde op het display en de woorden **Cloud Hunting** aan de onderkant, samen met een wolksymbool. De zijbalk neemt toe en af met veranderingen in de ppm-meting.



Er is geen gevoeligheidsinstelling in de Cloud Hunting-modus.

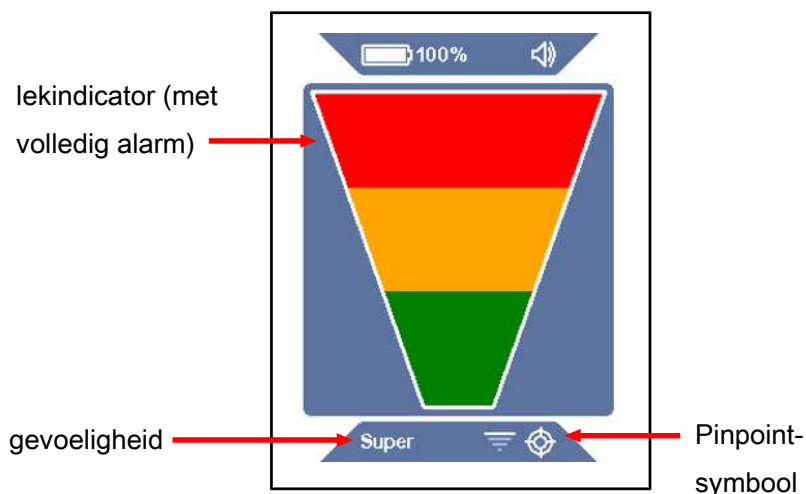
1. Beweeg langzaam door de verdachte gebieden en observeer de ppm-meting.
2. Volg de ppm-waarde om gebieden met een hogere koelmiddelconcentratie te vinden. Hoe hoger het nummer, hoe hoger de concentratie.
3. Druk op de **SENS/ZERO**-knop om de **MAX**-functie in en uit te schakelen. Als deze optie is ingeschakeld, wordt het hoogste ppm-niveau onder het display weergegeven. Om de **MAX**-meting te resetten, drukt u lang op de **SENS/ZERO**-knop of schakelt u de functie uit en weer in.



D-TEK Stratus maakt gebruik van een gepatenteerde schakelklep in de Cloud Hunting-modus om voortdurend het monster van de punt van de sonde te vergelijken met de lucht in de behuizing van de lekdetector (het referentiemonster). Deze technologie maakt het mogelijk dat D-TEK Stratus werkt zonder het gebruik van een koolstoffilter. Door enkele minuten te blijven hangen in een ruimte met een hoge

koelmiddelconcentratie kan het referentiemonster verontreinigd raken met koelmiddel, waardoor de ppm-aflezing weer naar nul zakt. Als dit gebeurt, gaat u gedurende een paar minuten terug naar een gebied met schone lucht (terwijl u zich in de Cloud Hunting-modus bevindt) om het referentiemonster weer schoon te maken.

10 Gebruik van de Pinpoint-modus



De Pinpoint-modus wordt gekenmerkt door een grote lekindicator op het display en een Pinpoint-symbool op de onderbalk. De huidige gevoeligheid wordt ook aangegeven op de onderbalk. Deze modus werkt als een standaard lekdetector met automatische nulstelling, waarbij de indicatiebalken oplichten om aan te geven wanneer een lek wordt gedetecteerd.

1. Plaats de punt van D-TEK Stratus zo dicht mogelijk bij de vermoedelijke lekkage (blokkeer de luchtstroom niet).
2. Beweeg de sonde langzaam langs elk mogelijk lekpunt.
 - ⇒ Als er een lek wordt gedetecteerd zal D-TEK Stratus een alarm geven en de indicator op het scherm gaat branden.
3. Wanneer een lek is geïdentificeerd, trekt u de sonde een paar seconden weg van het lek en controleert u vervolgens de plek opnieuw om het lek te controleren.

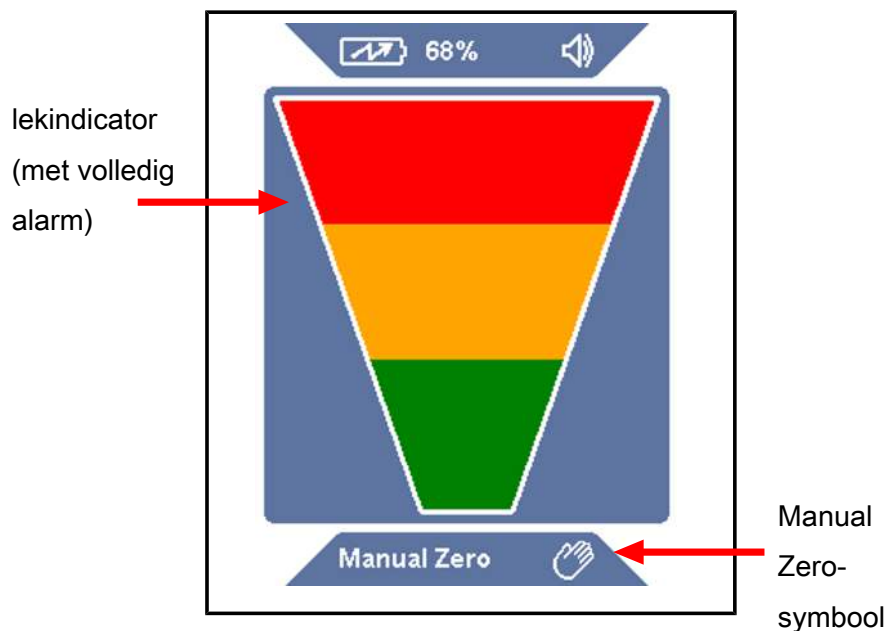


In de Pinpoint-modus zal D-TEK Stratus het achtergrondkoelmiddel automatisch op nul zetten en wordt er alleen nog maar opnieuw gealarmeerd bij een hogere concentratie koelmiddel. Wanneer dit gebeurt, blijf dan ofwel verder zoeken naar een hogere concentratie koelmiddel of verplaats de sonde gedurende enkele seconden naar een gebied met een lagere concentratie om het nulpunt te resetten.



Druk op de **SENS/ZERO**-knop om de gevoeligheidsinstelling te wijzigen. Bij het werken met een groot lek kan het gemakkelijker zijn om de leklocatie te lokaliseren met behulp van een lagere gevoeligheidsinstelling. De huidige gevoeligheid wordt ook aangegeven op de onderbalk.

11 Manual Zero-modus



Manual Zero-modus werkt vergelijkbaar als de Pinpoint-modus, maar is te herkennen aan de tekst Manual Zero en het Handmatignul-symbool op de onderbalk. Bij de Manual Zero-modus kan de gebruiker handmatig nulstellen op het achtergrondkoelmiddel door op de **SENS/ZERO**-knop te drukken. Zodra het nieuwe nulpunt is ingesteld, zal D-TEK Stratus niet alarmeren tenzij een hogere concentratie koelmiddel wordt gedetecteerd.

Handmatige nul-modus piept sneller op het nulpunt dan andere modi. Als de concentratie lager is dan het huidige nulpunt, zal het piepen vertragen. Dit stelt de gebruiker in staat om te weten of hij zich van het lek verwijderd door te luisteren naar een verandering in de piepton.



Er is geen gevoeligheidsinstelling in de Manual Zero-modus.



De Manual Zero-modus vereist een extra opwarmtijd van maximaal 15 minuten voor optimale prestaties.

12 Oordopjes en volumeregeling

Er bevindt zich een koptelefoonaansluiting aan de rechterzijde van D-TEK Stratus waarmee via een koptelefoon of oordopjes naar alarmsignalen geluisterd kan worden.



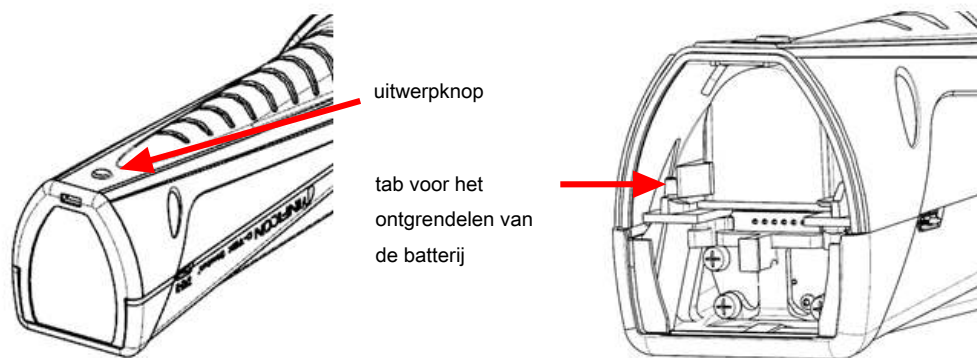
WAARSCHUWING

Als u een koptelefoon probeert te gebruiken die niet door INFICON is geleverd, moet u deze zorgvuldig testen om gehoorschade te voorkomen.

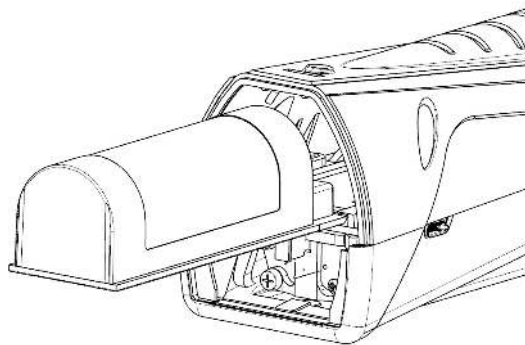
Een volumeknop bevindt zich naast de koptelefoon. Druk op de volumeknop om van 100% volume naar 50% volume te gaan en om het geluid uit te schakelen. Het volume wordt standaard op 100% ingesteld bij het opstarten. Als er een koptelefoon of oordopjes zijn aangesloten, kan het volume worden ingesteld tussen 100% volume en geen geluid.

13 De lithium-ionbatterij verwijderen en installeren

1. Druk op de uitwerpknop op de achterkant van D-TEK Stratus en verwijder de batterijklep.



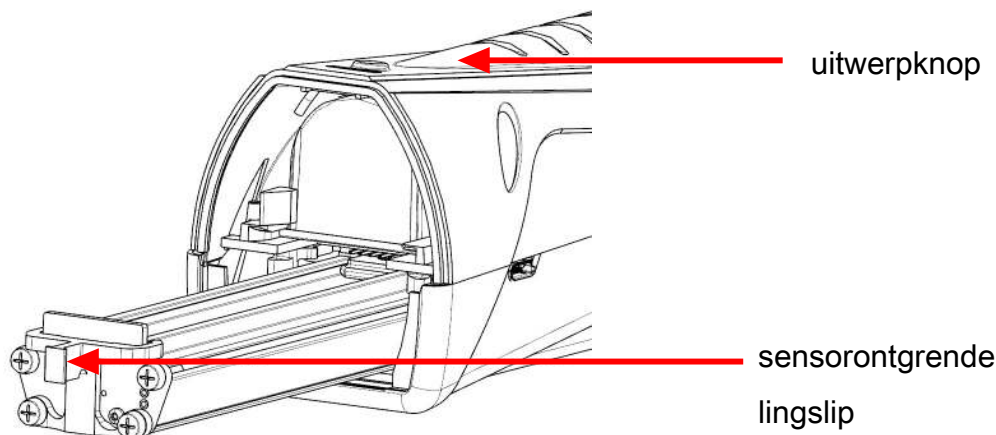
2. Verwijder de batterij door het lipje voor het ontgrendelen van de batterij naar de zijkant te verschuiven totdat u de batterij kunt verwijderen. Schuif de batterij eruit.
3. Lijn de batterij uit met de rails.



4. Duw de batterij zachtjes langs de rails totdat het lipje voor het ontgrendelen van de batterij vastklikt.
⇒ Forceer de batterij niet. Als de batterij niet vrij kan schuiven, controleer dan de uitlijning en probeer het opnieuw.
5. Sluit het batterijklepje.

14 De sensor verwijderen en installeren

D-TEK Stratus maakt gebruik van een cartridge-achtige sensor die snel en eenvoudig te verwijderen en te vervangen is in het veld. Naast de standaard sensor biedt INFICON een CO₂ specifieke sensor voor gebruik in koel- en airconditioningtoepassingen. Zie Vervangende onderdelen en accessoires [► 370].

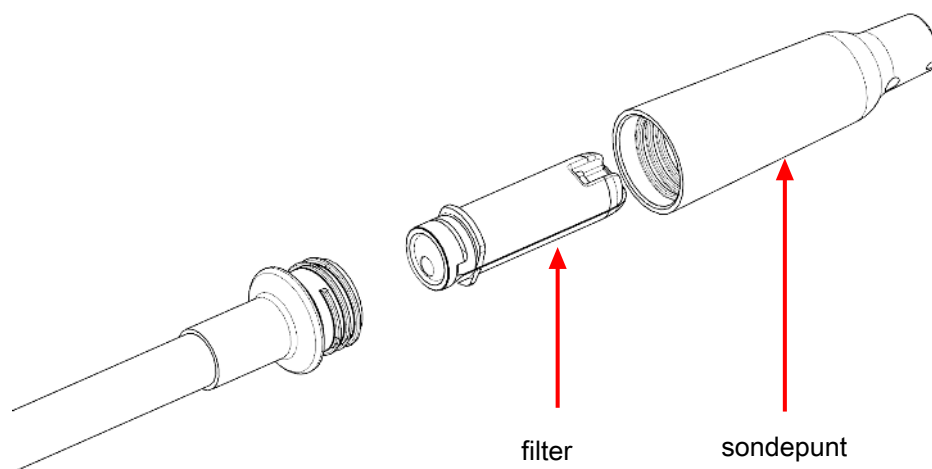


Vervangen van de sensor:

1. Druk op de uitwerpknop op de achterkant van D-TEK Stratus en verwijder de batterijklep.
2. Pak het lipje voor het ontgrendelen van de sensor vast en trek het er voorzichtig uit.
3. Lijn de sensor uit met de rails.
4. Duw de sensor zachtjes langs de rails tot deze volledig is geplaatst.
⇒ Forceer de sensor niet. Als de sensor niet vrij kan schuiven, controleer dan de uitlijning en probeer het opnieuw.
5. Sluit het batterijklepje.

15 Vervanging van de filters

D-TEK Stratus maakt gebruik van een hydrofoob filterpatroon dat lucht en koelmiddelen doorlaat terwijl het water, vuil en olie eruit filtert. Bekijk het witte doek om te bepalen of het filter moet worden vervangen. Als het doek verkleurd lijkt, installeer dan een nieuw filter. Het vervangen van het filter is ook een eenvoudige stap voor het oplossen van problemen als u vermoedt dat uw lekdetector de koelmiddelen niet goed detecteert. Een verstopt luchtfilter kan de bemonsteringsluchtstroom beperken.



Het blootstellen van het filter aan water of olie kan de luchtstroom blokkeren. Als dit gebeurt, verwijder dan het filter met de sonde naar beneden gericht om te voorkomen dat er verontreinigingen in de sonde terechtkomen en installeer een nieuw filter. Als het filter nat is, kan het na droging worden hergebruikt.



⚠ VOORZICHTIG

Gebruik het instrument nooit zonder sondepunt en filter.

Vervangen van het filter:

1. Schroef de sondepunt los en verwijder het filter.
2. Plaats het nieuwe filter in de sonde.
3. Schroef de sondepunt weer vast. Niet te vast aandraaien.

16 Extra lange sonde

D-TEK Stratus bevat een extra lange vervangende sonde voor lektests in moeilijk bereikbare gebieden.

Om de extra lange sonde te installeren:

1. Schroef de standaardsonde van de D-TEK Stratus body af met een 10 mm sleutel.
2. Schroef de extra lange sonde vast op ongeveer 35 in-lb (4 Nm). Niet te vast aandraaien.
3. Schroef de sondepunt van de standaardsonde en verwijder het filter (of gebruik een nieuwe).
4. Steek het filter in de extra lange sonde.
5. Schroef de sondepunt op de extra lange sonde. Niet te vast aandraaien.

17 Verlenging van de naaldsonde

Het optionele accessoire voor de naaldsonde maakt het mogelijk om lekken te controleren in krappe ruimtes en in isolatie. Deze sonde is bedoeld om gemakkelijk isolatie te doorboren en past in kleine gebieden.

Voor het installeren van de naaldsonde:

1. Schroef de sondepunt los. Laat het filter op zijn plaats.
2. Plaats het nieuwe filter in de sondepunt.
3. Schroef de sondepunt weer vast. Niet te vast aandraaien.

18 Optionele sensors

Optionele sensors zijn beschikbaar voor gebruik in toepassingen met CO₂ (PN 724-701-G2) of ontvlambaar koelmiddel (PN 724-701-G3). Om de sensor voor CO₂ of ontvlambaar koelmiddel te gebruiken, moet de standaardsensor verwijderd worden. Monteer de nieuwe sensor aan de hand van de instructies in De sensor verwijderen en installeren [▶ 364]. D-TEK Stratus herkent automatisch het sensortype, en de **MODE**-indicator verlicht de bijpassende kleur om het type sensor aan te geven dat de gehele tijd is gemonteerd. Groen geeft CO₂ aan, rood ontvlambaar koelmiddel en oranje geeft aan dat de standaardkoelmiddelsensor is gemonteerd.



Als D-TEK Stratus niet automatisch uw sensor voor ontvlambaar koelmiddel herkent, neem dan contact op met INFICON om een softwaretest te regelen.



De sensor voor ontvlambaar koelmiddel detecteert geen waterstof, inclusief waterstofvormend gas.



Het wordt aanbevolen om tijdens het zoeken naar CO₂-lekken een adembescherming of masker te dragen om te voorkomen dat er CO₂ wordt uitgeademd in de richting van de sonde.



⚠ WAARSCHUWING

Blootstelling aan hoge concentraties van CO₂ of koelmiddelen is gevaarlijk en kan levensbedreigend zijn.

Het instrument is niet bedoeld voor gebruik in giftige en gevaarlijke omgevingen. Het is niet bedoeld voor persoonlijke bescherming en is ook geen levensreddend apparaat. Wees altijd bijzonder voorzichtig in potentiële giftige of gevaarlijke omgevingen.



⚠ WAARSCHUWING

Dit product is niet intrinsiek veilig en mag niet worden gebruikt in de aanwezigheid van explosieve dampen, explosief stof of andere explosieve chemicaliën. Gebruik in een omgeving met een concentratie van ontvlambaar koelmiddel dat de LEL-limiet benadert kan een explosie of brand veroorzaken en zo leiden tot ernstig letsel, de dood of materiële schade.

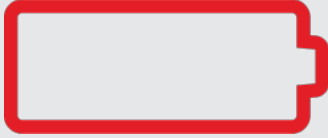
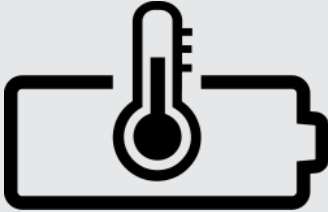
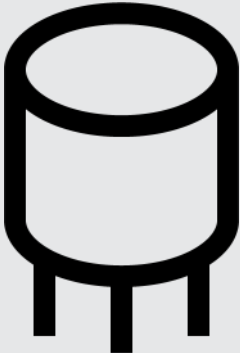
19 Schoonmaak en opslag

D-TEK Stratus kan worden gereinigd met een mild reinigingsmiddel of isopropylalcohol. Zorg ervoor dat er geen reinigingsmiddel in het instrument terecht komt. Reinig het apparaat niet met benzine, aceton of andere agressieve oplosmiddelen, omdat deze het plastic of het display kunnen beschadigen.

20 Vervangende onderdelen en accessoires

vervanging kunststof draagkoffer	724-700-G1
oordopjes	721-607-G1
12 V (dc) autolader	721-605-G1
AC-wandlader (inclusief stekkers voor meerdere regio's)	721-606-G1
lithium-ionbatterij	721-702-G1
batterij-laadstation	721-610-G1
combinatie van batterij en laadstation	721-604-G1
standaardsensor (detecteert CFK's, HCFK's, HFK's, HFO's en mengsels (inclusief A2L's))	724-701-G1
CO ₂ -sensor	724-701-G2
Ontvlambaar koelmiddel (HC)-sensor	724-701-G3
filterpatronen (hoeveelheid, 5)	712-707-G1
vervangende sondedop	712-705-G1
verlenging naaldsonde	721-612-G1
extra lange sonde	721-611-G1
TEK-Check R134a testlekkage	703-080-G10

21 Probleemoplossing

Probleem	Oorzaak	Oplossing
<p>Het volgende symbool wordt weergegeven:</p> 	<p>Er is een batterijfout opgetreden. Dit kan worden veroorzaakt door een defecte batterij of door een verkeerde installatie van de batterij of een slechte verbinding.</p>	<p>Verwijder de batterij en plaats deze terug. Als het probleem niet is opgelost, vervang dan de batterij. Zie De lithium-ionbatterij verwijderen en installeren [▶ 363].</p>
<p>Het volgende symbool wordt weergegeven:</p> 	<p>De batterij is boven of onder het ideale temperatuurbereik en wordt mogelijk niet goed opgeladen.</p>	<p>Laat de batterij weer op normale temperatuur komen.</p>
<p>Het volgende symbool wordt weergegeven:</p> 	<p>Er is een sensorfout opgetreden. Dit kan worden veroorzaakt door een defecte sensor of door een verkeerde installatie van de sensor of een slechte verbinding.</p>	<p>Verwijder de sensor en plaats deze terug. Als het probleem niet is opgelost, vervang dan de sensor. Zie De sensor verwijderen en installeren [▶ 364].</p>
<p>Het display wordt niet ingeschakeld na lang indrukken van de aan/uit-knop.</p>	<p>Het batterijniveau is kritisch laag.</p>	<p>Laad de batterij op of steek de stekker van het apparaat in een lader.</p>
<p>Het apparaat gaat aan maar detecteert geen koelmiddel.</p>	<p>Het apparaat is nog niet volledig opgewarmd (er wordt een koffiekopje weergegeven).</p>	<p>Wacht tot de opwarming voltooid is. Dit kan 45 tot 90 seconden duren.</p>
	<p>Het filter is verstopt, waardoor de luchtstroom wordt beperkt.</p>	<p>Vervang de filterpatroon. Zie Vervanging van de filters [▶ 365].</p>

Probleem	Oorzaak	Oplossing
	De pomp werkt niet.	Wacht op het geluid van de pomp. Als de pomp geen geluid maakt en de batterij goed is opgeladen, neem dan contact op met INFICON.
	De gevoeligheid is te laag ingesteld (alleen in de modus Pinpoint).	Controleer het gevoeligheidsniveau. Voor zeer kleine lekken moet Hoog of Super worden gebruikt.
	De verkeerde sensor is geïnstalleerd.	Controleer of de juiste sensor wordt gebruikt (koelmiddelsensor of CO ₂ -sensor).
	Het referentiemonster is besmet (Cloud Hunting-modus).	Laat D-TEK Stratus in schone lucht draaien in de Cloud Hunting-modus voor maximaal vijf minuten.
Het apparaat alarmeert in schone lucht.	De uitlaatpoort is afgedekt.	Controleer of de uitlaatpoort niet is afgedekt.
	De verkeerde sensor is geïnstalleerd.	Controleer of de koelmiddelsensor wordt gebruikt in plaats van de CO ₂ -sensor.
De ppm daalt tot nul in een gebied dat bekend staat als verontreinigd.	Het referentiemonster kan besmet zijn.	Laat D-TEK Stratus in schone lucht draaien in de Cloud Hunting-modus voor maximaal vijf minuten.
De pomp maakt geen geluid.	De pomp werkt niet.	Als de batterij goed is opgeladen, neem dan contact op met INFICON.

22 Garantie en aansprakelijkheidsbeperking

INFICON garandeert dat uw D-TEK Stratus koudemiddeldetector en draagbare monitor gedurende één of twee jaar vrij zijn van materiaal- en fabricagefouten (afhankelijk van de regio) vanaf de datum van aankoop. INFICON geeft geen garantie voor items die bij normaal gebruik verslechteren, zoals batterijen, sensoren en filters. Bovendien geeft INFICON geen garantie voor instrumenten die zijn misbruikt, bij nalatigheid of ongeval, of die zijn gerepareerd of gewijzigd door iemand anders dan INFICON. De aansprakelijkheid van INFICON is beperkt tot instrumenten die uiterlijk dertig (30) dagen na afloop van de garantieperiode aan INFICON worden geretourneerd, franco worden vervoerd en waarvan INFICON oordeelt dat de defecten zijn veroorzaakt door gebrekkige materialen of vakmanschap. De aansprakelijkheid van INFICON is beperkt tot, naar eigen keuze, het herstellen of vervangen van het defecte instrument of onderdeel. Deze garantie komt in de plaats van alle andere expliciete of impliciete garanties, of het nu gaat om VERKOOPBAARHEID of GESCHIKTHEID VOOR GEBRUIK of anderszins. Al deze andere garanties worden uitdrukkelijk afgewezen. INFICON is niet aansprakelijk voor een hoger bedrag dan de prijs die aan INFICON voor het instrument is betaald, vermeerderd met de kosten voor het terugsturen van het instrument en de vooruitbetaalde transportkosten. INFICON is niet aansprakelijk voor incidentele of gevolgschade. Alle andere aansprakelijkheden zijn uitgesloten.

23 Het instrument voor garantie of reparatie terugsturen

Neem contact op met uw distributeur voor een evaluatie van de garantie of voor reparaties buiten de garantieperiode. Stuur het apparaat niet rechtstreeks terug naar INFICON maar naar uw distributeur. Alle instrumenten en onderdelen die aan INFICON worden geretourneerd voor reparatie of creditering moeten goed verpakt en verzekerd zijn, de transportkosten moeten vooraf betaald zijn en ze moeten een RMA-nummer (Return Material Authorization) hebben voordat het materiaal wordt geretourneerd. Het RMA-nummer moet op alle verzendetiketten en pakbonnen worden vermeld. Raadpleeg uw INFICON-distributeur voor hulp. Als u vragen heeft, neem dan contact op met INFICON via +1 800-344-3304 of neem contact op met uw plaatselijke INFICON-verkoopkantoor.

목차

1 적합성 선언.....	376
2 주의 및 경고.....	377
3 사양	378
4 D-TEK Stratus	381
5 Cloud Hunting 이란?.....	383
6 배터리 충전.....	384
7 기기 켜기 및 사용 준비.....	385
8 화면 레이아웃 및 기호	386
9 Cloud Hunting (휴대용 모니터) 모드 사용	388
10 핀포인트 모드 사용	389
11 Manual Zero 모드	390
12 이어버드 및 볼륨 조절	391
13 리튬 이온 배터리 분리 및 설치	392
14 센서 분리 및 설치	393
15 필터 교체	394
16 매우 긴 프로브	395
17 바늘 프로브 익스텐션	396
18 옵션 센서	397
19 청소 및 보관.....	398
20 교체 부품 및 액세서리	399
21 문제 해결 가이드	400
22 보증 및 책임 제한	402
23 보증 또는 수리를 위한 기기 반품.....	403

1 적합성 선언



**EU
적합성
선언**

이 선언은 제조업체인 INFICON의 단독 책임하에 발행됩니다. 이 선언의 목적은 다음 업체가 설계하고 제조한 이 기기를 인증하는 것입니다.

**INFICON Inc.
Two Technology Place
East Syracuse, NY 13057
USA**

관련 지역사회 조화 법령을 준수합니다. 이 기기는 지역사회에서 시행 중인 안전 문제에 대해 우수한 엔지니어링 방식에 따라 구성되었으며, 원래 용도에 따라 올바르게 설치되고 유지관리되고 사용될 때 사람, 가축 또는 재산을 위험하게 만들지 않습니다.

기기 설명:	D-TEK Stratus 배매 누설 검출기 및 휴대용 모니터	
모델 번호:	724-20x-Gxx	(모든 그룹 번호에 적용 가능)
적용되는 지침:	2014/35/EU	LVD
	2014/30/EU	일 EMC
	2011/65/EU	2015/863/EU RoHS로 수정
	2006/66/EC	2013/56/EU 배터리 지침으로 수정
적용되는 표준:		
안전:	EN 61010-1:2010	측정, 제어 및 실험실 사용을 위한 전기 장비의 안전 요구사항. 일반 요구사항
	EN 62133:2013	측정, 제어 및 실험실 사용을 위한 전기 장비의 안전 요구사항. CB 검사 Cert DK-73443-UL
	UL 2054	안전한 가정용 및 상용 배터리용 UL 표준 Cert 20180518-MH29443
	UL 60950-1 및 CAN/CSA-C22.2 No. 60950-1-07	안전 정보 기술 장비에 대한 UL 표준 – 안전성 – 제1부: 일반 요구사항 Cert 20180518-MH294
	UN 38.3	검사 및 기준에 대한 UN 매뉴얼, 제3부, 서브섹션 38.3. 리튬 이온 충전식 배터리의 안전한 운반
배출 :	EN 61326-1:2013	Edition 2.0(방사, 전도 및 고조파 방출)(EMC- 측정, 제어 및 실험 장비
	CISPR 11/EN 55011:2009 (+A1:2010)	산업, 과학 및 의료용(ISM) 무선 RF 장비, Class A에 대한 배출 표준
내성 :	EN 61326-1:2013	Edition 2.0(EMC – 측정, 제어 및 실험 장비) 표 A.1에 내성 – 휴대용 검사 및 측정 기기
RoHS	준수	

CE 시행 날짜: 2019년 5월 7일

공인 대리점:
Brian King
INFICON
총책임자 – 서비스 도구
Two Technology Place
East Syracuse, NY USA 13057

EU 공인 대리점
INFICON GmbH
50968 Köln, Bonner Str. 498

이 선언이나 INFICON 제품의 안전과 관련된 모든 궁금한 점은 위 주소의 공인 대리점에 서면으로 질문해야 합니다.

2 주의 및 경고

주의:

- 5V(dc) $\pm 5\%$, 1A $\pm 5\%$ 출력의 인증된 충전기/코드만 사용하십시오.
- 온도가 극도로 높거나 낮은 장소에 장치를 두지 마십시오.
- 배터리를 액체에 노출시키지 마십시오.
- 배터리가 손상되면 장치를 사용하지 마십시오.
- 배터리를 분해하거나 개조하지 마십시오.
- 현지 규정에 따라 배터리를 처리하고 폐기하십시오.
- 지정된 재충전 시간이 경과되었는데도 충전이 되지 않을 경우, 충전을 즉시 중지하십시오.
- 충전하는 동안 배터리를 방치해 두지 마십시오.
- 배터리가 완전히 충전되면 충전기의 플러그를 뽑습니다.
- 리튬 이온 배터리를 잘못 사용하거나 폐기하면 화재가 발생할 수 있습니다.
- 이 기기는 가연성 환경에서 사용하기 위한 것이 아닙니다.
- 높은 RF 환경은 오보의 원인이 될 수 있습니다.



⚠ 경고

이 기호는 이 기기와 함께 제공되는 자료에 중요한 작동 및 유지보수(정비) 지침이 있음을 사용자에게 알리는 데 사용됩니다.



⚠ 경고

고농도 CO₂ 또는 냉매에 노출되는 것은 생명에 위협이 될 정도로 위험할 수 있습니다.

이 기기는 독성이 있거나 위험한 환경에서 사용하기 위한 것이 아닙니다. 또한 개인 보호 장치 또는 인명 구조 장치가 아닙니다. 잠재적으로 독성이 있거나 위험한 환경에서는 항상 각별히 주의하십시오.



⚠ 경고

본 제품은 방폭형 기기가 아니며 폭발성 연기, 폭발성 먼지 또는 기타 폭발성 화학물질이 있는 곳에서 사용할 수 없습니다. LEL과 가까운 농도의 가연성 냉매가 있는 환경에서 사용할 경우 폭발 또는 화재로 인한 심각한 부상, 사망 또는 자산 피해가 발생할 수 있습니다.

3 사양

사용법	실내/실외
센서 유형	적외선
호환되는 냉매	모든 CFC, HCFC, HFC, HFO, 혼합(A2L 포함), CO ₂ ¹
최소 감도(핀포인트 모드, 뛰어난 감도)	1g/년(0.03oz/년) ²
디스플레이 해상도(Cloud Hunting 모드)	1ppm
디스플레이 범위(Cloud Hunting 모드)	0~9999ppm
정확도(Cloud Hunting 모드, 오염되지 않은 공기 기준, R134a)	판독값의 ±1 ppm ±10%
배터리 유형	리튬 이온
충전 입력 유형	마이크로 USB
충전 시간(0%에서 시작)	약 3시간
배터리 수명	약 8시간(클라우드 헌팅) 약 10시간 (Pinpoint)
입력 전압	5V(dc) ±5%
입력 전류	1A ±5%
예열 시간	45~90초
온도 범위 및 습도	
• 보관	-20~60°C(-4~140°F)
• 작동 ³	-20~50°C(-4~122°F)
• 충전	0~45°C(32~113°F)
• 습도	95% RH NC 최대
고도	2000m(6500피트)
오염도	2
과전압 범주	2
무게(배터리 포함; 운반 케이스 또는 액세서리 제외)	0.50 kg(1.10 lb.)

¹ CO₂ 검출을 위해서는 선택 사양인 CO₂ 센서가 필요합니다.

² 최적의 성능과 지정된 감도를 얻으려면 사용하기 전에 D-TEK Stratus 를 15 분 동안 예열하는 것이 좋습니다.

³ 0°C (32°F) 이하의 온도에서 사용하는 것은 제한해야 합니다. 저온 환경에서 사용하기 전에는 예열 시간을 늘리는 것이 좋습니다.

EN 14624 에 따른 사양표

	R134a	R1234yf
최소 감도, 고정(정적)	1g/년	0.5g/년
최대 감도, 고정(정적) ⁴	50g/년 초과	50g/년 초과
최소 감도, 변동(동적)	1g/년	1g/년
최대 감도, 변동(동적) ⁴	50g/년 초과	50g/년 초과
최소 응답/검출 시간	1초 미만	1초 미만
영점화 시간	1~4초	1~4초
50g/년 노출 ⁵ 에 대한 복구 시간 ⁵	7.6초	6.4초
오염된 환경에서의 최소 감도	2 g/년 초과	1g/년
보정 주기	보정 누설 표준으로 매년 점검	

⁴ 검출기가 검출할 수 있는 누설 크기의 상한값이 없기 때문에 INFICON 은 누설 검출 상한값을 지정하지 않습니다.

⁵ 테스트 중에 50g/년 누설 표준을 사용할 수 없었으므로 32g/년 누설 표준으로 대체되었습니다.

SAE 적용개소

SAE 표준 J2791(R-134a) 및 J2913(R-1234yf)은 아래의 해당 설정에 대한 다음 누설 크기의 민감도를 지정합니다. 슈퍼모드 감도는 깨끗한 환경(냉매가 확산되지 않은 환경)에서 누설 검사를 할 경우 SAE가 요구하는 것보다 더 뛰어납니다. 오염된 환경(높은 배경 냉매)에서 누설 검사를 실시하는 경우 슈퍼모드 감도로 전환하십시오.

R-134a 누설률(g/년)	R-1234yf 누설률(g/년)	감도 설정
14	14	낮음
7	7	중간
4	4	높음

다음 표에는 엔진룸의 일반적인 화학물질 몇 가지가 나와 있으며 이러한 화학물질이 D-TEK Stratus 에서 거짓 알람을 일으킬지 여부가 표시되어 있습니다.

엔진을 끈 상태에서 누설 검사를 수행하십시오.

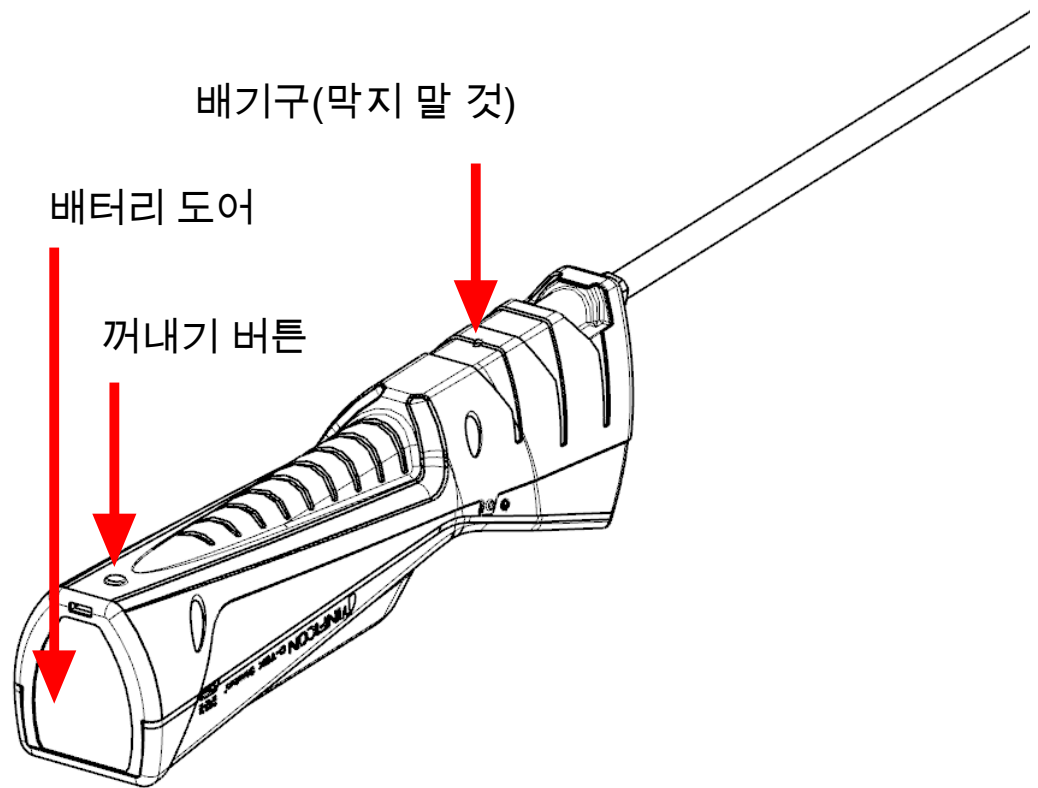
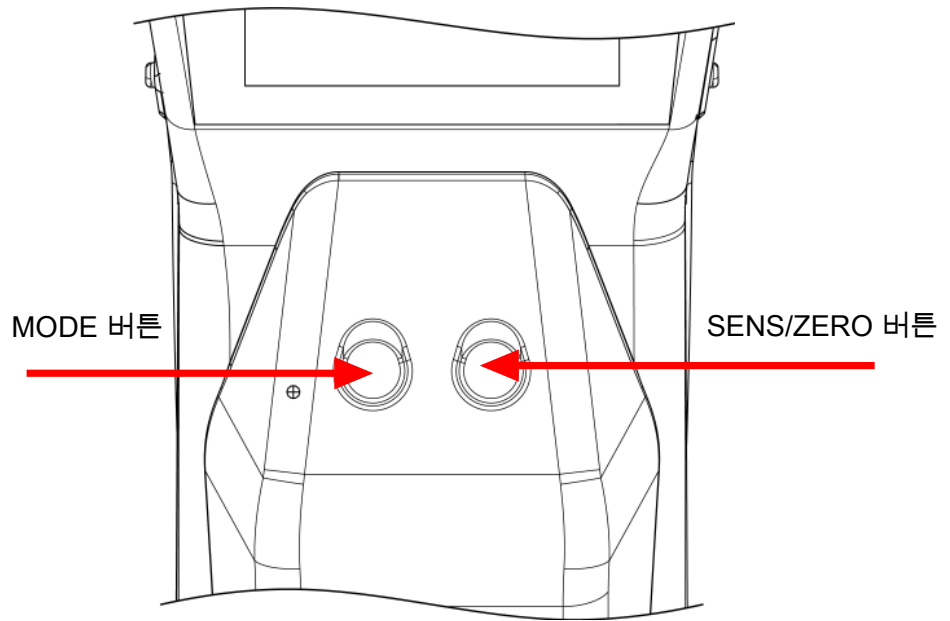
화학물질	거짓 알람
바람막이 창 와서 용제(메탄올 기반)	예
Ford™ 얼룩 제거제	예
Ford 녹 침투제 및 억제제	예
Ford 개스킷 및 트림 접착제	예
Permatex™ Natural Blue 클리너 및 탈지제	예
Ford 브레이크 부품 클리너	예
Ford 스프레이 카뷰레터 튠업 클리너	예
Ford 포드 투명 실리콘 고무	예
Motorcraft™ G-05 부동액/냉각수	아니요
Gunk™ 리퀴드 렌치	아니요

화학물질	거짓 알림
Ford 부식/로션 핸드 클리너	아니요
Ford Motorcraft DOT3 브레이크 오일	아니요
Ford 실리콘 윤활유	아니요
Dexron™ 자동 변속기 오일	아니요
미네랄 엔진 오일	아니요

특허(출원 중)

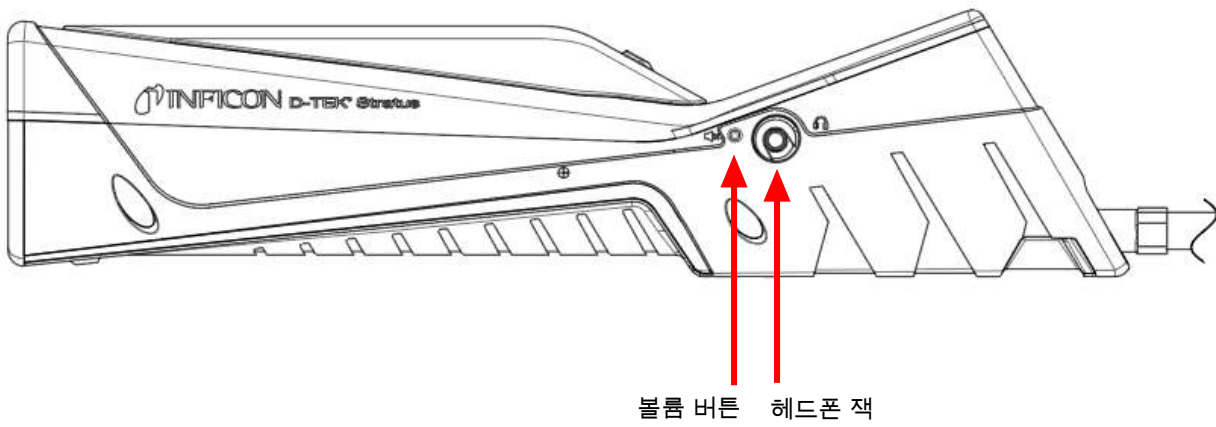
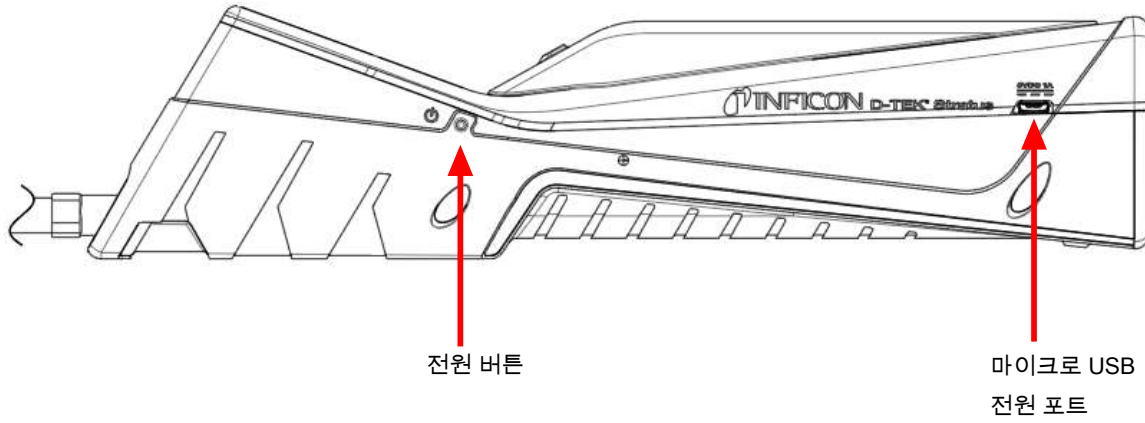
- 출원 # 10 2018 208 826.8
- 출원 #18171080.7
- 출원 # 10 2018 208 826.8

4 D-TEK Stratus



한국어

한국어



한국어

한국어

5 Cloud Hunting 이란?

시스템에서 냉매가 누설되면 냉매가 공기 중에 고르게 분산되는 것이 아닙니다. 냉매 농도는 일반적으로 누설 지점 근처에서 높습니다. 또한 냉매의 밀도는 공기의 밀도와 다르므로, 일반적으로 바닥과 가까운 공기 중에 “구름(클라우드)”을 형성하는 경향이 있습니다. 대부분의 냉매의 경우 이러한 구름은 무색이며 무취입니다. 기존 누설 검출기로 누설 검사를 실시하면 냉매 구름 근처에서 경보가 울릴 수 있습니다. 구름이 누설 지점 근처에 있지 않기 때문에 누설을 찾는 데 도움이 되지 않습니다.

D-TEK Stratus 는 특허 출원 중인 기술을 사용하여 대기 중 냉매 농도를 백만분율(ppm)로 표시합니다. 따라서 사용자는 디스플레이를 보고 수치에 따라 더 높은 농도 영역을 찾을 수 있어, 누설 지점을 쉽게 찾을 수 있습니다.

6 배터리 충전

D-TEK Stratus 는 충전식 리튬 이온 배터리를 사용하며, 일부 충전된 상태로 제공됩니다. 인피콘은 사용하기 전에 배터리를 충전할 것을 권장합니다. 제공된 충전기 또는 충전 크래들 액세서리를 사용하여, 방전된 배터리를 약 2시간 이내에 80%, 약 3시간 이내에 100% 충전할 수 있습니다. 완전히 충전하면 사용 모드 및 작동 온도에 따라 일반적으로 8~10시간 동안 지속됩니다. 화면의 표시기가 배터리 잔량을 표시합니다.



D-TEK Stratus 는 충전 중에도 사용할 수 있습니다.

7 기기 켜기 및 사용 준비



화면이 켜지지 않으면 배터리가 부족하여 충전해야 하는 상태입니다. D-TEK Stratus 는 충전 중에도 사용할 수 있습니다.

1. D-TEK Stratus 를 켜거나 끄려면 전원 버튼(기기 본체 왼쪽에 있음)을 길게 누릅니다.
 - ⇒ D-TEK Stratus 가 45~90초 동안 예열을 시작합니다. 예열이 완료되면 D-TEK Stratus 를 사용할 수 있습니다.
2. 모드를 전환하려면 **MODE** 버튼을 누릅니다. 그러면 Cloud Hunting, 핀포인트 및 Manual Zero 모드를 선택할 수 있습니다.



D-TEK Stratus 는 항상 마지막으로 사용한 모드에서 시작됩니다.



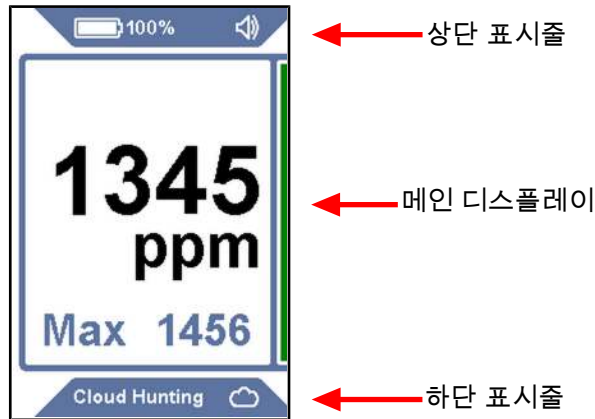
⚠ 경고

배기구를 막지 마십시오.

배기 공기를 막으면 오경보 또는 잘못된 판독값이 발생할 수 있습니다.

8 화면 레이아웃 및 기호

D-TEK Stratus 는 모든 표시 및 정보에 대해 디스플레이 화면을 사용합니다. 디스플레이는 상단 표시줄, 메인 디스플레이 및 하단 표시줄로 구성됩니다.



상단 표시줄: 상단 표시줄에는 배터리 상태, 백분율, 센서 표시기(비표준 센서 유형을 사용할 경우) 및 사운드 표시기가 있습니다.

기호	설명
	배터리 충전량 75~100%
	배터리 충전량 50~74%
	배터리 충전량 30~49%
	배터리 충전량 10~29%
	배터리 충전량 10% 미만
	배터리 충전 중
	볼륨이 100%로 설정됨(기본값)
	볼륨이 50%로 설정됨
	음소거됨
CO2	CO ₂ 센서가 장착됨

메인 디스플레이: 메인 디스플레이에는 누설 점검에 필요한 정보가 표시됩니다. 메인 디스플레이에는 Cloud Hunting 모드의 ppm 판독값과 핀포인트 및 Manual Zero 모드의 누설 표시기가 포함되어 있습니다.

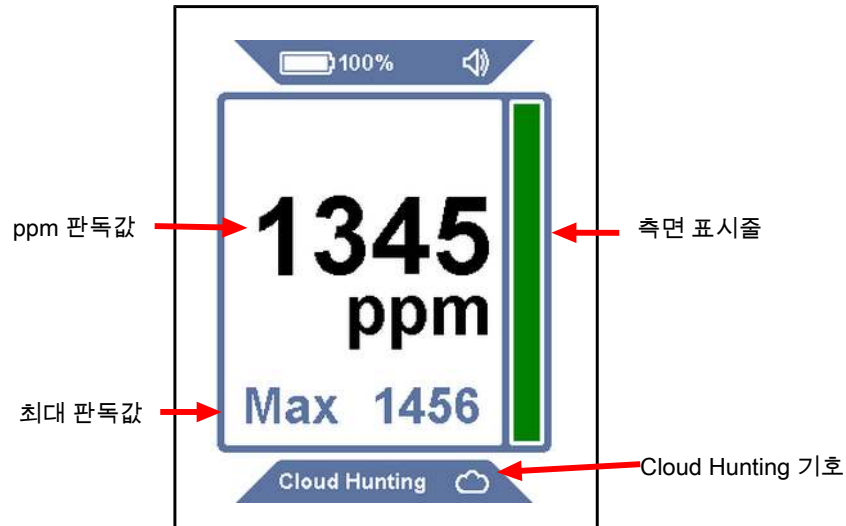
하단 표시줄: 하단 표시줄에는 현재 모드가 표시됩니다. 또한 핀포인트 모드의 감도도 포함되어 있습니다.

기호	설명
	Cloud Hunting 모드를 나타냄
	핀포인트 모드를 나타냄
	Manual Zero 모드를 나타냄
	감도 = 뛰어남 (Super) (핀포인트 모드에서만 표시됨)
	감도 = 높음 (High) (핀포인트 모드에서만 표시됨)
	감도 = 중간 (Medium) (핀포인트 모드에서만 표시됨)
	감도 = 낮음 (Low) (핀포인트 모드에서만 표시됨)

화면 레이아웃

화면 레이아웃

9 Cloud Hunting (휴대용 모니터) 모드 사용



Cloud Hunting 모드는 디스플레이의 큰 ppm 판독값 및 하단의 Cloud Hunting 이라는 단어와 함께 구름 모양의 기호로 식별됩니다. 측면 표시줄은 ppm 판독값의 변화에 따라 증가 및 감소합니다.



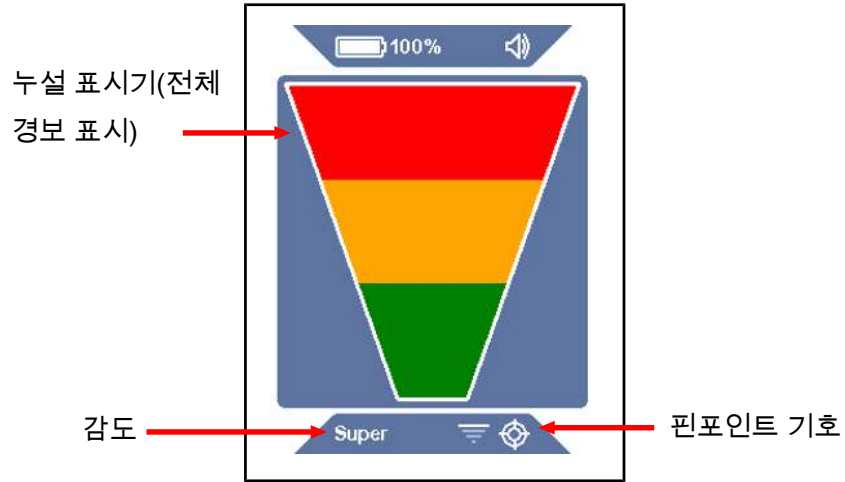
Cloud Hunting 모드에는 감도 설정이 없습니다.

1. 의심되는 영역을 천천히 이동하면서 ppm 판독값을 살펴봅니다.
2. ppm 판독값을 따라 냉매 농도가 더 높은 영역을 찾습니다. 숫자가 높을수록 농도가 높아집니다.
3. **SENS/ZERO** 버튼을 눌러 최대 기능을 활성화 및 비활성화합니다. 활성화되면, 관찰된 가장 높은 ppm 레벨이 메인 디스플레이 아래에 표시됩니다. 최대 값을 재설정하려면 **SENS/ZERO** 버튼을 길게 누르거나 기능을 껐다가 다시 켜십시오.



D-TEK Stratus 는 Cloud Hunting 모드에서 특허 출원 중인 전환 밸브를 사용하여 프로브 팁의 샘플 공기를 누설 검출기 본체 내부의 공기(기준 샘플)와 지속적으로 비교합니다. 이 기술 덕분에 D-TEK Stratus 는 탄소 필터를 사용하지 않고도 작동할 수 있습니다. 고농도의 냉매가 있는 영역에서 몇 분 동안 머물러 있으면 기준 샘플이 냉매로 오염되어 ppm 판독값이 0으로 돌아가게 됩니다. 이 경우에는 (Cloud Hunting 모드에 있을 때) 깨끗한 공기가 있는 영역으로 몇 분 동안 다시 이동하여 기준 샘플이 다시 깨끗하게 하십시오.

10 핀포인트 모드 사용



핀포인트 모드는 디스플레이의 대형 누설 표시기와 하단 표시줄의 핀포인트 기호로 식별됩니다. 또한 현재 감도가 하단 표시줄에 표시됩니다. 이 모드는 자동 영점화 기능이 있는 일반적인 누설 탐지기와 같이 작동하며, 막대 표시를 통해 누설 감지 시점을 나타냅니다.

1. D-TEK Stratus 의 팁을 의심되는 누설 지점에 최대한 가까이 놓습니다(공기 흐름을 막지 말 것).
2. 프로브를 누설 가능성이 있는 각 지점을 지나 천천히 움직입니다.
⇒ 누설이 검출되면 D-TEK Stratus 가 경보를 울리고 화면의 표시기가 켜집니다.
3. 누설이 식별되면 누설 지점에서 몇 초 동안 프로브를 당긴 후 해당 지점을 다시 점검하여 누설이 있는지 확인하십시오.

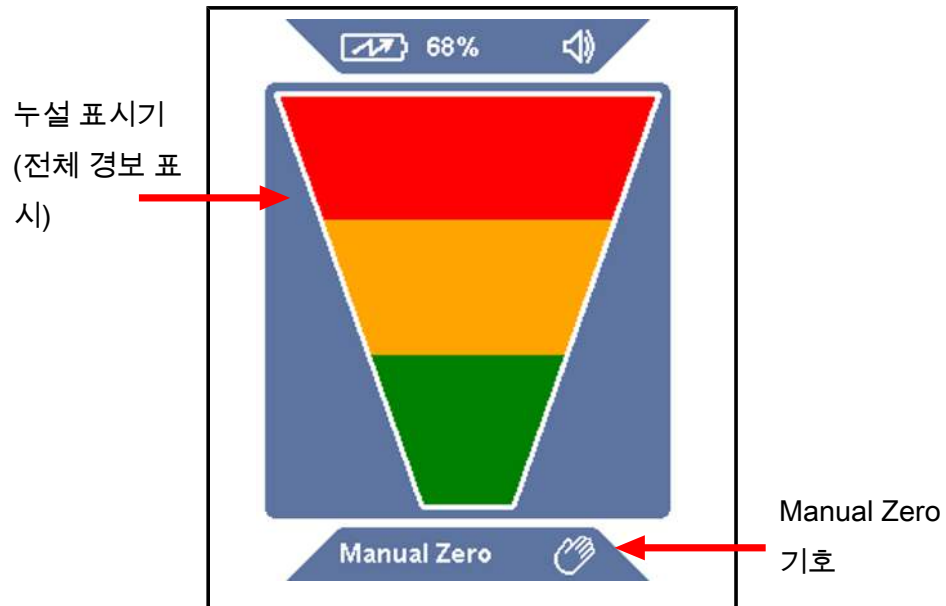


핀포인트 모드에서 D-TEK Stratus 는 배경 냉매에 대해 자동으로 영점 설정되고 고농도의 냉매만으로 다시 경보가 울립니다. 이 경우에는 더 높은 냉매 농도를 계속 찾거나 농도가 더 낮은 영역으로 프로브를 몇 초 동안 이동하여 영점을 재설정하십시오.



SENS/ZERO 버튼을 눌러 감도 설정을 전환하십시오. 큰 누설 작업을 할 때, 더 낮은 감도 설정을 사용하여 누설 위치를 정확히 찾아내는 것이 더 쉬울 수 있습니다. 현재 감도가 하단 표시줄에 표시됩니다.

11 Manual Zero 모드



Manual Zero 모드는 핀포인트 모드와 비슷하게 보이고 비슷하게 작동하지만, 하단 표시줄의 수동 영점이라는 텍스트와 Manual Zero 기호로 식별됩니다. Manual Zero 모드에서 사용자는 **SENS/ZERO** 버튼을 눌러 배경 냉매에 대해 수동으로 영점 설정할 수 있습니다. 새로운 영점이 설정되면 D-TEK Stratus 는 고농도의 냉매가 검출되지 않는 한 경보를 울리지 않습니다.

Manual Zero 모드는 다른 모드보다 영점에서 더 빠르게 비프음을 울립니다. 농도가 현재 영점보다 낮으면 비프음이 느려집니다. 이렇게 하면 사용자는 비프음 속도의 변화를 듣고 누설 지점을 찾을 수 있습니다.



Manual Zero 모드에는 감도 설정이 없습니다.



Manual Zero 모드에서는 최적의 성능을 위해 최대 15분의 추가 예열 시간이 필요합니다.

12 이어버드 및 볼륨 조절

D-TEK Stratus 오른쪽에 있는 헤드폰 잭에 연결한 헤드폰 또는 이어버드를 통해 경보음을 들을 수 있습니다.



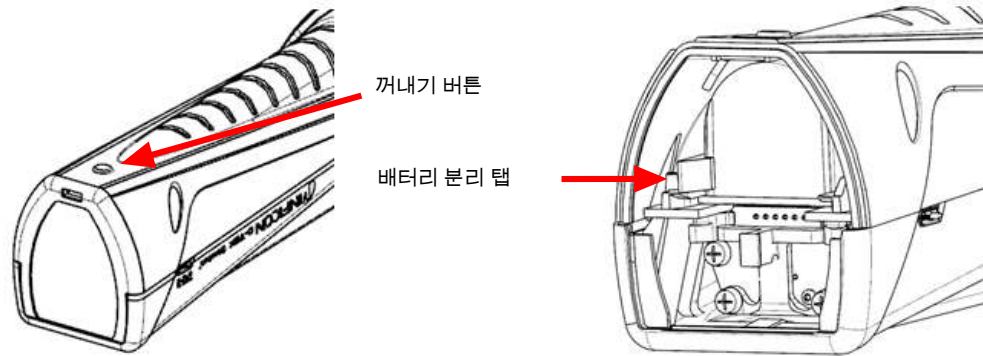
⚠ 경고

INFICON에서 제공하지 않는 헤드폰을 사용하는 경우, 손상을 입지 않도록 조심스럽게 검사하십시오.

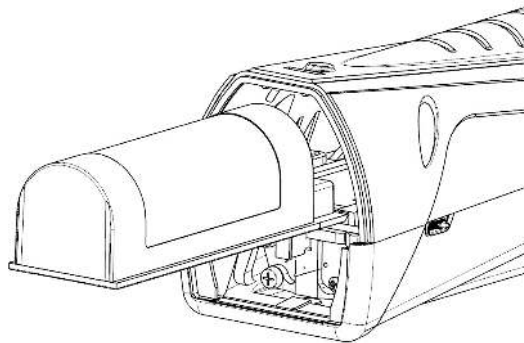
볼륨 버튼은 헤드폰 잭 옆에 있습니다. 볼륨 버튼을 눌러 100% 볼륨에서 50% 볼륨으로 전환하고 음소거로 전환합니다. 시작 시 볼륨 기본값은 100%입니다. 헤드폰 또는 이어버드를 꽂으면 볼륨이 100% 볼륨과 음소거 사이에서 전환됩니다.

13 리튬 이온 배터리 분리 및 설치

1. D-TEK Stratus 뒷면에 있는 꺼내기 버튼을 누르고 배터리 도어를 제거합니다.



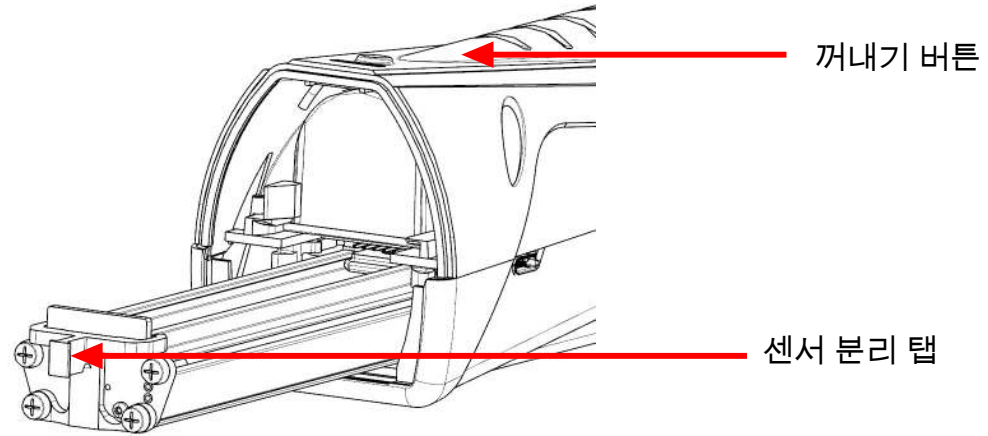
2. 배터리가 나오기 시작할 때까지 배터리 분리 탭을 옆으로 움직여 배터리를 분리합니다. 배터리를 당겨서 빼냅니다.
3. 배터리를 레일에 맞춥니다.



4. 배터리 분리 탭이 맞물릴 때까지 레일을 따라 배터리를 조심스럽게 밀어 넣습니다.
 - ⇒ 배터리를 억지로 밀어 넣지 마십시오. 배터리가 자연스럽게 들어가지 않으면 정렬 상태를 확인하고 다시 시도하십시오.
5. 센서 분리 및 설치

14 센서 분리 및 설치

D-TEK Stratus 는 현장에서 쉽고 빠르게 제거 및 교체할 수 있는 카트리지 스타일의 센서를 사용합니다. INFICON 은 표준 센서 외에도, 냉동 공조 분야에 사용되는 CO₂ 전용 센서를 제공합니다. 교체 부품 및 액세서리 ▶ 399].

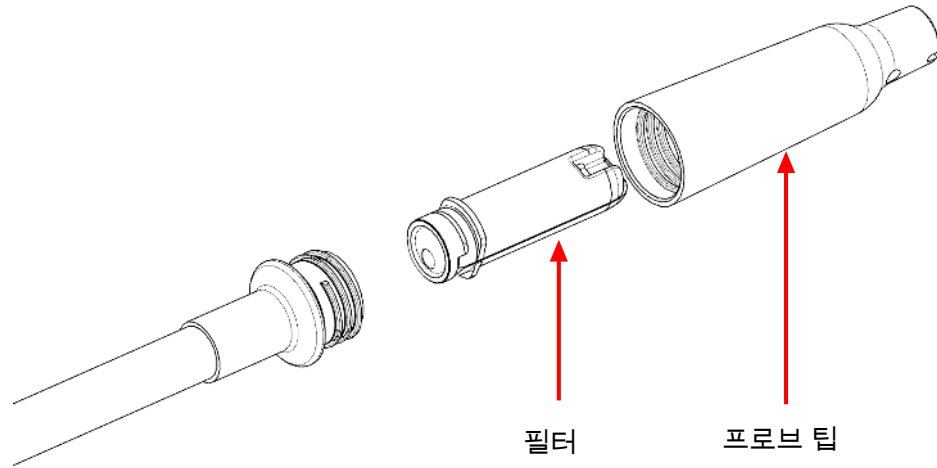


센서 교체 방법:

1. D-TEK Stratus 뒷면에 있는 꺼내기 버튼을 누르고 배터리 도어를 제거합니다.
2. 센서 분리 탭을 잡고 센서를 부드럽게 당겨서 빼냅니다.
3. 새 센서를 레일에 맞춥니다.
4. 센서가 완전히 끼워질 때까지 레일을 따라 센서를 조심스럽게 밀어 넣습니다.
⇒ 센서를 억지로 밀어 넣지 마십시오. 자연스럽게 들어가지 않으면 정렬 상태를 확인하고 다시 시도하십시오.
5. 배터리 도어를 다시 장착합니다.

15 필터 교체

D-TEK Stratus 는 공기와 냉매를 통과시키고 물, 먼지, 오일을 걸러낼 수 있는 소수성 필터 카트리지를 사용합니다. 흰색 천을 검사하여 필터를 교환해야 하는지 판단하십시오. 천이 변색되어 있으면 새 필터를 설치하십시오. 누설 검출기가 냉매를 제대로 검출하지 못한다고 의심되면 필터를 교체하는 것도 손쉬운 문제 해결 단계입니다. 필터가 막히면 샘플 공기 흐름을 방해할 수 있습니다.



필터를 물이나 오일에 의해 오염되면 공기 흐름이 차단될 수 있습니다. 이 경우에는 프로브가 오염되지 않도록 프로브가 아래로 향하게 한 상태로 필터를 제거하고 새 필터를 설치하십시오. 필터가 젖어 있는 경우에는 건조 후 다시 사용할 수 있습니다.



⚠ 주의

프로브 팁과 필터 없이 절대로 기기를 사용하지 마십시오.

필터 교체 방법:

1. 프로브 팁을 풀고 필터를 제거합니다.
2. 새 필터를 프로브에 삽입합니다.
3. 프로브 팁을 조입니다. 과도하게 조이지는 마십시오.

한국어

한국어

16 매우 긴 프로브

D-TEK Stratus 에는 검사하기 어려운 영역에서 누설 검사를 실시하기 위한 매우 긴 교체 프로브가 포함되어 있습니다.

매우 긴 프로브 설치 방법:

1. 10mm 렌치를 사용하여 D-TEK Stratus 본체에서 표준 프로브를 풉니다.
2. 매우 긴 프로브를 약 4N·m(35in·lb)로 조입니다. 과도하게 조이지는 마십시오.
3. 표준 프로브에서 프로브 팁을 풀고 필터를 제거합니다(또는 새 프로브 사용).
4. 필터를 매우 긴 프로브에 삽입합니다.
5. 프로브 팁을 매우 긴 프로브에 끼웁니다. 과도하게 조이지는 마십시오.

17 바늘 프로브 익스텐션

선택 사양인 바늘 프로브 익스텐션 액세서리를 사용하면 검사하기 어려운 지점과 단열재에서 누설 검사를 실시할 수 있습니다. 이 프로브는 뾰족하여 단열재에 쉽게 구멍을 뚫고 좁은 영역에 끼울 수 있습니다.

바늘 프로브 익스텐션 설치 방법:

1. 프로브 팁을 뽑니다. 필터를 제자리에 둡니다.
2. 새 필터를 프로브 팁에 삽입합니다.
3. 프로브 팁을 조입니다. 과도하게 조이지는 마십시오.

18 옵션 센서

CO₂(PN 724-701-G2) 또는 가연성 냉매(PN 724-701-G3) 작업에서 옵션 센서를 사용할 수 있습니다. CO₂ 또는 가연성 냉매 센서를 사용하려면 기본 센서를 제거하고 센서 분리 및 설치 [▶ 393]에 나와 있는 지침에 따라 새 센서를 설치합니다. D-TEK Stratus이 자동으로 센서 유형을 인식하고 센서가 설치된 시간 내내 **MODE** 표시기가 센서 유형을 나타내는 색으로 켜집니다. 녹색은 CO₂를 나타내며, 빨간색은 가연성 냉매, 주황색은 기본 냉매 센서가 설치되었음을 나타냅니다.



D-TEK Stratus이 가연성 냉매 센서를 자동으로 인식하지 않을 경우 INFICON에 연락해 소프트웨어 테스트를 예약하십시오.



가연성 냉매 센서는 수소 포밍 가스를 포함한 수소를 탐지하지 못합니다.



CO₂ 누설을 찾는 동안에는 프로브 방향으로 CO₂를 내쉬지 않도록 인공호흡기 또는 마스크를 착용하는 것이 좋습니다.



⚠ 경고

고농도 CO₂ 또는 냉매에 노출되는 것은 생명에 위협이 될 정도로 위험할 수 있습니다.

이 기기는 독성이 있거나 위험한 환경에서 사용하기 위한 것이 아닙니다. 또한 개인 보호 장치 또는 인명 구조 장치가 아닙니다. 잠재적으로 독성이 있거나 위험한 환경에서는 항상 각별히 주의하십시오.



⚠ 경고

본 제품은 방폭형 기기가 아니며 폭발성 연기, 폭발성 먼지 또는 기타 폭발성 화학물질이 있는 곳에서 사용할 수 없습니다. LEL과 가까운 농도의 가연성 냉매가 있는 환경에서 사용할 경우 폭발 또는 화재로 인한 심각한 부상, 사망 또는 자산 피해가 발생할 수 있습니다.

안전

안전

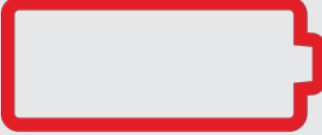
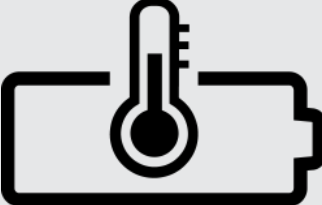
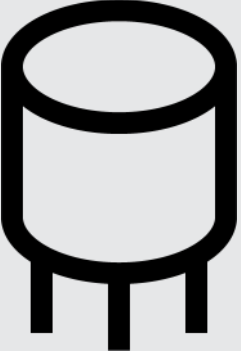
19 청소 및 보관

D-TEK Stratus 는 순한 세제 또는 이소프로필 알코올로 청소할 수 있습니다. 세제가 기기에 들어가지 않도록 주의를 기울여야 합니다. 가솔린, 아세톤 또는 기타 강한 용제는 플라스틱이나 디스플레이를 손상시킬 수 있으므로 이러한 물질로 청소하지 마십시오.

20 교체 부품 및 액세서리

교체용 운반 케이스	724-700-G1
이어버드	721-607-G1
12V(dc) 차량 충전기	721-605-G1
AC 벽 충전기(여러 지역의 플러그 포함)	721-606-G1
리튬 이온 배터리	721-702-G1
배터리 충전 크래들	721-610-G1
배터리/충전기 겸용 크래들	721-604-G1
표준 센서(CFC, HCFC, HFC, HFO, 혼합 (A2L 포함))	724-701-G1
CO ₂ 센서	724-701-G2
가연성 냉매(HC) 센서	724-701-G3
필터 카트리지(수량, 5)	712-707-G1
교체 프로브 캡	712-705-G1
바늘 프로브 익스텐션	721-612-G1
매우 긴 프로브	721-611-G1
TEK-Check R134a 누설 검사	703-080-G10

21 문제 해결 가이드

문제	원인	해결 방법
<p>다음 기호가 표시됩니다.</p> 	<p>배터리 오류가 발생했습니다. 이 문제는 배터리가 고장 났거나 잘못 설치되었거나 연결 상태가 좋지 않아 발생할 수 있습니다.</p>	<p>배터리를 분리한 후 다시 설치하십시오. 문제가 해결되지 않으면 배터리를 교체하십시오. 리튬 이온 배터리 분리 및 설치 [392] 참조하십시오.</p>
<p>다음 기호가 표시됩니다.</p> 	<p>배터리가 적정 온도 범위보다 높거나 낮으며 충전이 올바르게 되지 않았을 수 있습니다.</p>	<p>배터리가 정상 온도로 돌아가게 하십시오.</p>
<p>다음 기호가 표시됩니다.</p> 	<p>센서 오류가 발생했습니다. 이 문제는 센서가 고장 났거나 잘못 설치되었거나 연결 상태가 좋지 않아 발생할 수 있습니다.</p>	<p>센서를 분리한 후 다시 설치하십시오. 문제가 해결되지 않으면 센서를 교체하십시오. 센서 분리 및 설치 [393] 참조하십시오.</p>
<p>전원 버튼을 길게 눌러도 디스플레이가 켜지지 않습니다.</p>	<p>배터리 잔량이 매우 적습니다.</p>	<p>배터리를 충전하거나 장치를 충전기에 연결하십시오.</p>
<p>장치가 켜지지만 냉매를 검출하지 못합니다.</p>	<p>장치가 예열을 완료하지 않았습니다(커피잔이 표시됨).</p>	<p>예열이 완료될 때까지 기다리십시오. 이 작업은 45~90 초 걸립니다.</p>
	<p>필터가 막혀 공기 흐름이 제한됩니다.</p>	<p>필터 카트리지를 교체하십시오. 필터 교체 [394] 참조하십시오.</p>
	<p>펌프가 고장 났습니다.</p>	<p>펌프 소리를 들어보십시오. 펌프에서 소리가 나지 않고 배터리가 제대로 충전되었다면 INFICON에 연락하십시오.</p>

한국어

한국어

문제	원인	해결 방법
	감도가 너무 낮게 설정되어 있습니다(핀포인트 모드 전용).	감도 수준을 확인하십시오. 매우 작은 누설의 경우 하이 모드 또는 슈퍼 모드로 감도를 설정해야 합니다.
	맞지 않는 센서가 설치되었습니다.	올바른 센서(냉매 센서 또는 CO ₂ 센서)가 사용되고 있는지 확인하십시오.
	기준 샘플이 오염되었습니다(Cloud Hunting 모드).	D-TEK Stratus 가 최대 5분 동안 깨끗한 공기 환경에서 Cloud Hunting 모드로 작동되게 하십시오.
장치가 깨끗한 공기에서 경보를 울립니다.	배기구가 덮여 있습니다.	배기구가 덮여 있지 않은지 확인하십시오.
	맞지 않는 센서가 설치되었습니다.	CO ₂ 센서 대신에 냉매 센서가 설치되어 있는지 확인하십시오.
오염된 것으로 알려진 영역에서는 ppm이 0으로 떨어집니다.	기준 샘플이 오염되었을 수 있습니다.	D-TEK Stratus 가 최대 5분 동안 깨끗한 공기 환경에서 Cloud Hunting 모드로 작동되게 하십시오.
펌프에서 소리가 나지 않습니다.	펌프가 고장 났습니다.	배터리가 제대로 충전되었다면 INFICON에 연락하십시오.

한국어

한국어

22 보증 및 책임 제한

INFICON 은 D-TEK Stratus 냉매 누설 검출기 및 휴대용 모니터가 구입일로부터 (지역에 따라) 1~2년간 재료 또는 제조상의 결함이 없음을 보증합니다. INFICON 은 배터리, 센서, 필터 등 정상적인 사용 중에 성능이 저하되는 품목에 대해서는 보증하지 않습니다. 또한 INFICON 은 오용, 과실 또는 사고가 발생한 기기 또는 INFICON 담당자 이외의 사람이 수리하거나 변경한 기기는 보증하지 않습니다. INFICON 의 책임은 보증 기간이 만료된 후 30일 이내에 운송료 선불로 INFICON 에 반품된 기기, 그리고 INFICON 이 재료 또는 제조상 결함에 인한 오작동으로 판단한 경우로 제한됩니다. INFICON 의 책임은 재량에 따라 결함 있는 기기 또는 부품을 수리하거나 교체하는 것으로 제한됩니다. 이 보증은 상업성이나 특정 목적 적합성 또는 기타의 여부와 상관없이 명시적이거나 묵시적인 다른 모든 보증을 대신합니다. 그러한 다른 모든 보증은 명시적으로 부인됩니다. INFICON 은 INFICON 에 지불된 기기 가격과 선불 반품 운송료를 합한 금액을 초과해서는 어떠한 책임도 지지 않습니다. INFICON 은 우발적 또는 간접적 손해에 대해 어떠한 책임도 지지 않습니다. 그러한 모든 책임은 배제됩니다.

23 보증 또는 수리를 위한 기기 반품

보증 평가 또는 보증 외 수리에 대해서는 해당 판매업체에 문의하십시오. 장치를 INFICON 에 직접 반환하지 마십시오. 수리 또는 크레딧을 위해 INFICON 에 반환되는 모든 기기와 부품은 적절하게 포장되고, 보험에 가입되고, 운송료 선불로 발송되어야 하며, 반환되기 전에 RMA(Return Material Authorization) 번호가 발행되어야 합니다. RMA 번호는 모든 운송 라벨과 포장 전표에 표시되어야 합니다. INFICON 대리점에 연락하여 도움을 요청하십시오. 궁금한 점이 있으면 031-206-2890~2로 INFICON에 연락하거나 현지 INFICON 영업 사무소로 문의하십시오.



Two Technology Place
East Syracuse, NY 13057-9714 USA

Phone: +1.800.344.3304
Fax: +315.434.2520
E-Mail: service.tools@inficon.com
www.inficonservicetools.com

Bonner Strasse 498
D-50968 Cologne, Germany

Phone: +49 221 56788-660
Fax: +49 221 56788-9660
E-Mail: servicetools.europe@inficon.com
www.inficonservicetools-europe.com

Due to our continuing program of product improvements, specifications are subject to change without notice.
All trademarks are the property of their respective owners.
074-708-P16B ©2020 INFICON